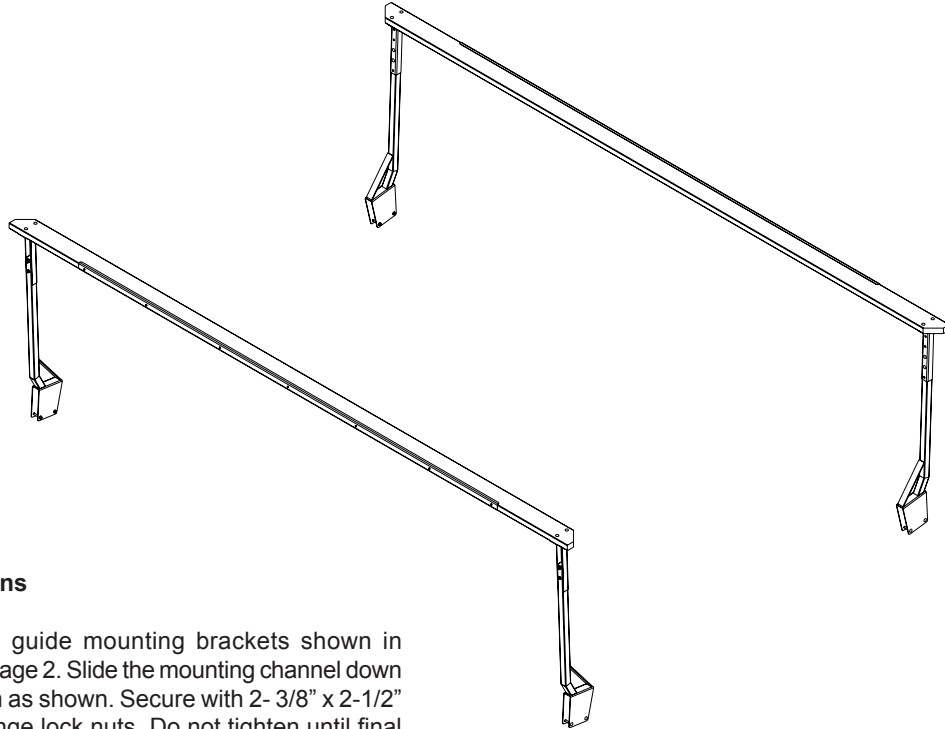


HA0016 Loadguide for 15,000 lb. Hoist



Assembly Instructions

Locate the four load guide mounting brackets shown in Detail B (Item No. 3), Page 2. Slide the mounting channel down over the hoist platform as shown. Secure with 2- 3/8" x 2-1/2" carriage bolts and flange lock nuts. Do not tighten until final adjustments are made. Repeat on the remaining brackets.

Locate the four (4) load guide adjustment channels shown in Detail A, Page 2. Place the channel portion of a load guide adjustment bracket over the upright tube of a load guide mounting bracket. Secure the two together with 3/8" x 2-1/2" carriage bolts and flange lock nuts. Do not tighten until final adjustments are made. Repeat on the remaining brackets.

Position a load guide bunk assembly above the load guide adjustment brackets just assembled on one side of the hoist.

Align the holes in the bunks with the holes in the load guide mounting brackets and secure by placing 3/8" x 2-1/2" carriage bolts down through the bunk assembly and then through the holes provided in the load guide adjustment brackets. Secure by placing on a 3/8" flat washer, lock washer and 3/8" hex nut. Repeat on other bolts. Repeat the above process on the remaining bunk assembly.

Adjustment

The **HA0016 Bunk Load Guide Assembly** is fully adjustable both for width and height. Once installed slide the load guides as far apart as possible. Carefully place your boat on the hoist in its normal position.

The height of the load guide is directly proportional to how

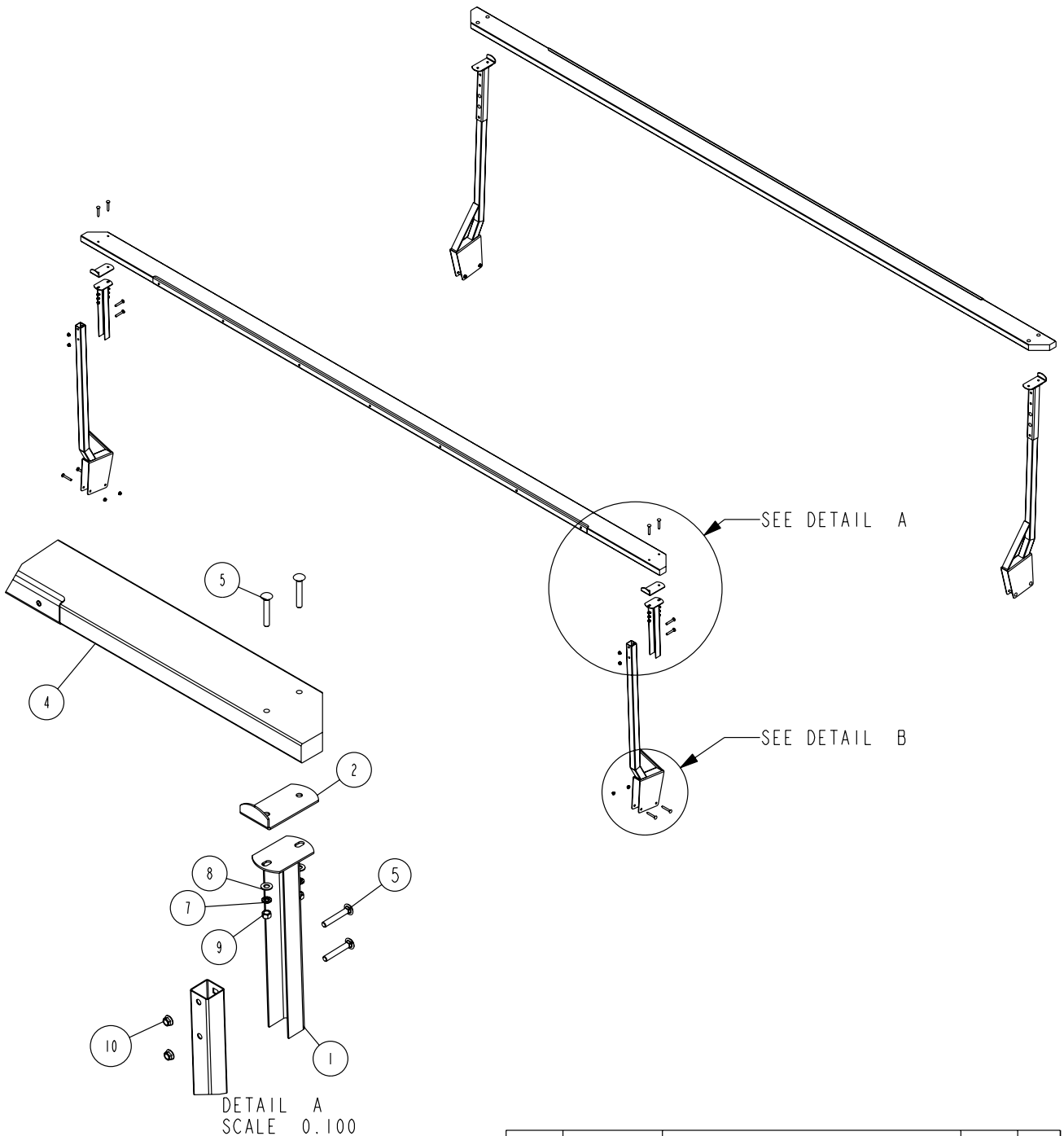
far you lower the platform in the water when unloading and loading your boat. A recommended practice is to lower your platform only enough to allow your boat to be removed from the hoist. Doing so will allow your boat to be centered with the bunks on the hoist platform as well and the load guides just installed. It will also keep your load guides as low as possible.

Determine the height of the load guide that will best fit your boat. They should be positioned if possible so that they are not at the same height as any decals that may be on your boat. The height can be changed by changing the hole combination used when mounting the load guide adjustment brackets to the load guide mounting brackets.

Once the height is established slide the load guides in until they are approximately 1" away from the boat on each side. Note that on certain style boats it may be beneficial to have the spacing between the front of the load guide bunks closer together than what they are at the rear. This will also help in centering your boat. Tighten in this position.

Once tightened, hand load your boat to make sure that they are positioned correctly and will not to cause potential damage to the decals or the boat. If the proper height and width is established make sure all fasteners are tightened.

Assembly is complete.



ITEM	PART #	DESCRIPTION	QTY	NOTE
1	68412	LOADGUIDE ADJUSTMENT BRKT	4	
2	68549	HOIST LOADGUIDE ANGLE	4	
3	68557	LOADGUIDE MOUNTING BRACKET 8"	4	
4	68558	LOADGUIDE BUNK ASSY. 15000	1	
5	0210125	CARR 3/8-16 X 2 1/2 GR5	16	
6	0210126	CARR 3/8-16 X 2 3/4 GR5	8	
7	1340030	LOCKWASHER 3/8 S/T MED ULTRASEAL	8	
8	1340095	WASHER USS FLAT 3/8	8	
9	1410109	HEX NUT 3/8-16	8	
10	1440101	HEX LOCKNUT FLANGE 3/8-16 W/T&T	16	