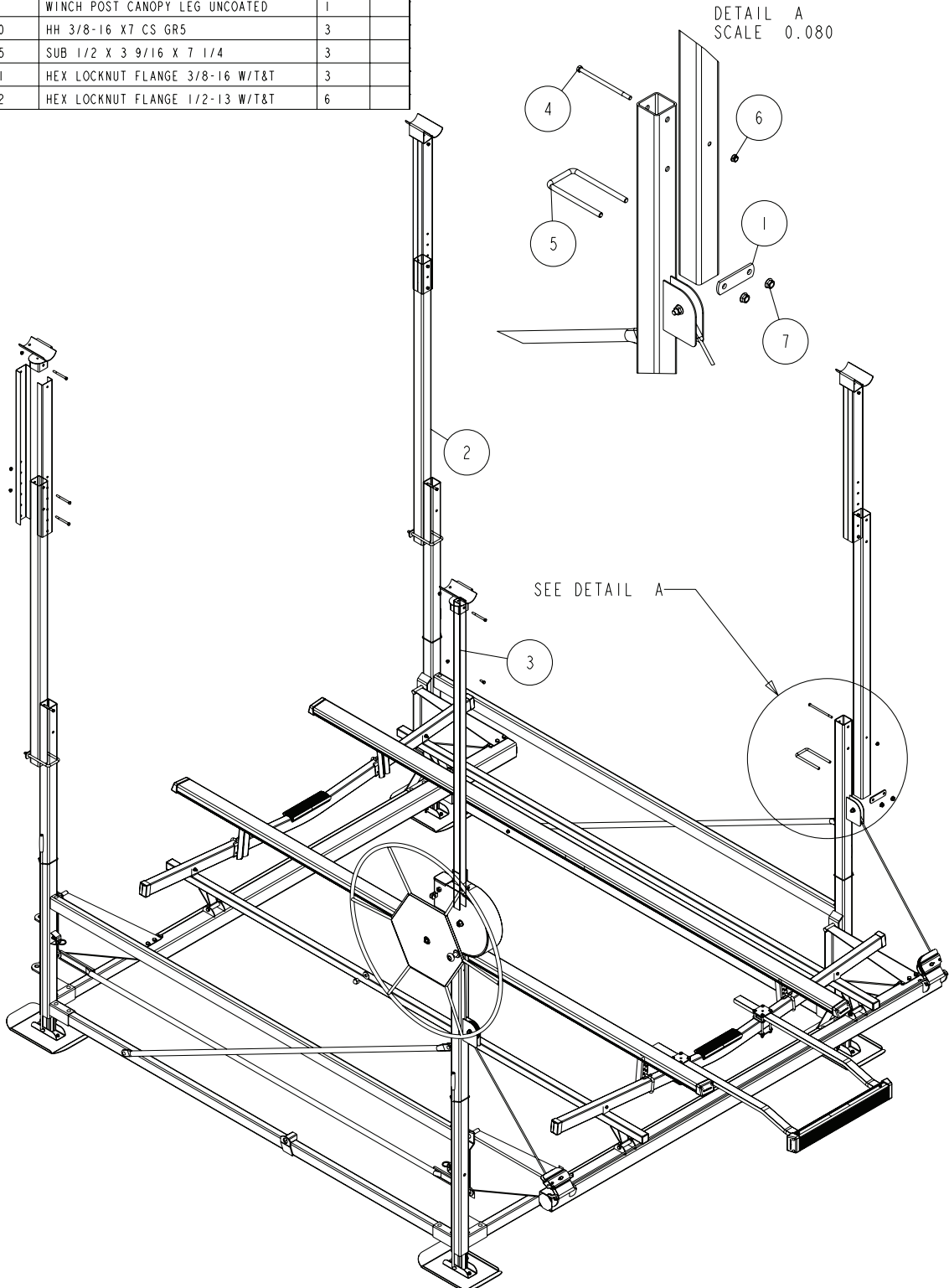


HA0073-01

Canopy Post Bundle Extension for the SSV45120 Steel Hoist

ITEM	PART #	DESCRIPTION	QTY	NOTE
1	68605	LOAD GUIDE CLAMP	3	
2	69911	CORNER POST 45120 HOIST	3	
3	69912	WINCH POST CANOPY LEG UNCOATED	1	
4	0110070	HH 3/8-16 X7 CS GR5	3	
5	0310235	SUB 1/2 X 3 9/16 X 7 1/4	3	
6	1440101	HEX LOCKNUT FLANGE 3/8-16 W/T&T	3	
7	1440102	HEX LOCKNUT FLANGE 1/2-13 W/T&T	6	



HA0073-01

Extension kit for increasing the length of the CP42G canopy legs that fit a SSV45120 hoist

This kit is designed to be used in conjunction with the **CP42G**. It raises the canopy higher so boats with ski towers can be stored on a **SSV45120** hoist.

Installation Instructions

- Locate the **CP42G** canopy bundles. Break the bundles and sort all items by size.
- Next locate the **HA0073-01** extension leg bundle and sort it by size keeping the hardware items separate from the **CP42G**.
- Locate the long winch post canopy leg channel supplied in the **HA0073-01**. Insert it into the winch post of the hoist and position it so it is the proper height where the canopy is to be installed. Secure in place with a 3/8" x 1 hex bolt and flange lock nut.
- Attach one of the support cups into the top end of the channel using a 3/8" x 4" hex bolt and flange lock nut. Position it so that the open side of the curved portion of the support cup just attached is towards the outside of the canopy side frame. This is important because the side pocket of the canopy cover will be drawn around the side frame tube into this area when it is installed. Tighten.
- Locate one of the three canopy post extension tubes supplied in the **HA0073-01**. Position it on either the front or rear of one of the hoist upright post as shown in Detail A. Align the hole in the extension tube with the hole in the top of the hoist post and insert a 3/8" x 7" hex bolt. Secure with a 3/8" flange lock nut.
- Place a 3/8" x 3 9/16" x 7 1/4" U-bolt around the extension post and hoist leg as shown. Place a flat load guide strap provided over the legs of the U-bolt and secure with 3/8" flange lock nuts. Tighten. Tighten the 3/8" x 7" hex bolt just installed.
- Repeat the above steps on the two remaining canopy extension tubes.
- Locate two of the six canopy post channel sections provided in the **CP42G**. Note that the remaining canopy posts are built in two identical halves. Place two channel sections together so the legs of the channels are towards each other to form a box. Place a support cup inside the two channels and secure in the two sections with a 3/8" x 4" hex bolt and flange lock nut. Thread the nut on hand tight only until later instructed. Repeat this process on the other sections forming a total of three canopy legs with support cups attached on one end.
- Place one of the canopy leg assemblies on the top of the one of the square extension tubes attached to the hoist upright post. Position it so the canopy cup is at a height that is comparable to the height of the winch post canopy leg installed earlier. Position it so that the open side of the curved portion of the support cup just attached is towards the outside of the canopy side frame. This is important because the side pocket of the canopy cover will be drawn around the side frame tube into this area when it is installed.

- Secure the leg channels to the canopy post extension tube with 3/8" x 4" hex bolts and flange lock nuts. Tighten.
- Repeat the above process on the two remaining legs. Tighten all bolts that may have been left loose during the assembly process.
- The assembly should be complete. Note that you will have a short winch post channel that was shipped in the **CP42G** extra and that will **NOT** be used when installing the **HA0073** extension kit.

Adjusting the Canopy for Height

Your canopy is adjustable for height to give your boat maximum protection from the elements. This is accomplished as follows:

1. Adjust your canopy so it is in its highest position. (Canopy legs fully extended).
2. Carefully raise your boat hoist with the boat on it to its highest position making sure it does not come in contact with the canopy.
3. With the hoist and boat in their highest raised position, the canopy can now be lowered and adjusted to the proper height to best protect your boat. This is accomplished by loosening and removing the 3/8" hex bolts and lowering the canopy frame. Insert bolts again. Your canopy frame may have to be lowered in several stages rather than all at once depending on how far you have to lower it. Repeat this process on all of the legs until desired height is obtained.
4. When the desired height is achieved, secure the canopy legs to the hoist extension posts by tightening the 3/8" hex bolts just removed to adjust the frame for proper height.

Adjustment is complete.