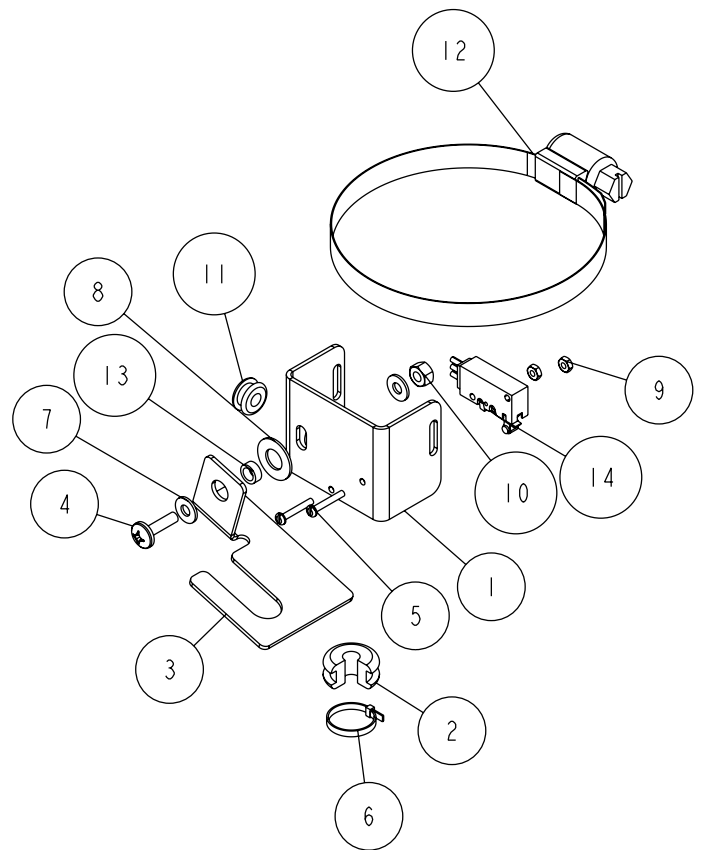
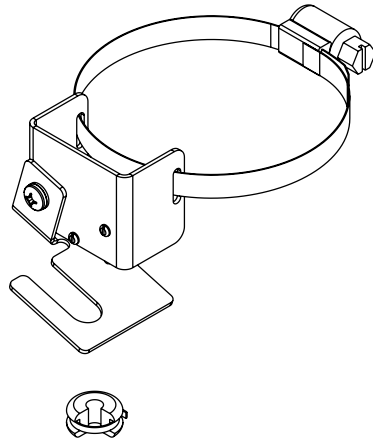


### SK0323 Bottom Micro Switch Sub Assembly for the AC & DC Direct Drive Winches

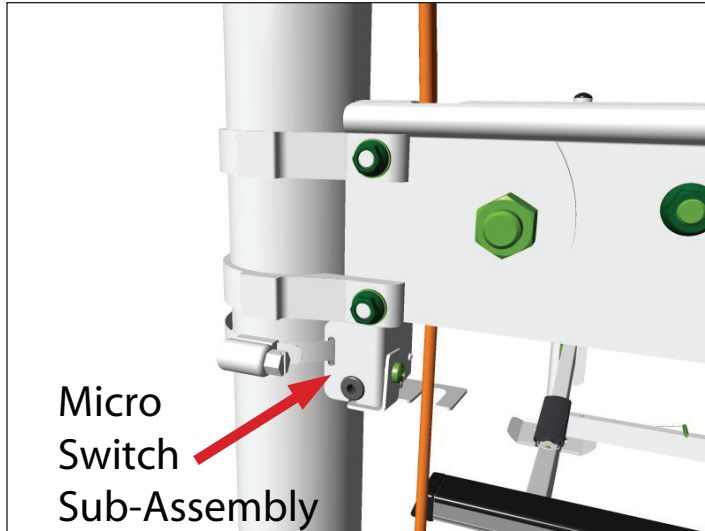


ITEM	PART #	DESCRIPTION	QTY	NOTE
1	69408	CHANNEL MICRO SWITCH	1	
2	69493	GROMMET LIMIT STOP HOIST	1	
3	69494	BRKT MICRO SWITCH LEVER HOIST	1	
4	0810975	SCREW #10-32 X 3/4 PHIL PAN M/S	1	
5	0810978	SCREW 5-40 X 3/4 MS PLTD	2	
6	1110044	WIRE TIE 5 1/2IN X .14IN BLACK	1	
7	1310170	WASHER#10 USS FLAT	2	
8	1350095	WASHER USS FLAT 3/8 STAINLESS	1	
9	1430036	HEX LOCKNUT NO4 GEER WASHER	2	
10	1430550	NUT KEP #10-32 ZP	1	
11	3510022	GROMMET 7/16IN MOLDED	1	
12	3610162	HOSE CLAMP N-STYLE STAINLESS	1	
13	3820068	BUSHING - DOCK ACCESSORY LOCK	1	
14	5310267	SWITCH - OMRON D2VW-01L2A-1M	1	

## SK0323

### Upper Limit Micro Switch Sub Assembly Installation Instructions

The **SK0323** is a complete replacement kit for the upper limit micro switch on a direct drive winch system. The kit includes all of the attaching hardware.



#### Upper Limit Switch Replacement

- Remove the upper limit switch shown above by removing the adjustable hose clamp. Disconnect the micro switch wires from the wire harness leading to the control box.
- Reattach the replacement upper limit switch assembly to the upright post with the new adjustable hose clamp provided in the kit. Position it in the same location that the old assembly was removed from so the platform will stop in the same position when being raised.
- Connect the wires from the new switch into the control box wire harness by mating the plug on the new micro switch with the wire harness. Press completely together assuring that you have a good connection.
- Test the unit by raising the hoist platform until it engages the upper limit switch just installed to make sure it is operating properly.
- Replacement of the micro switch assembly is complete.