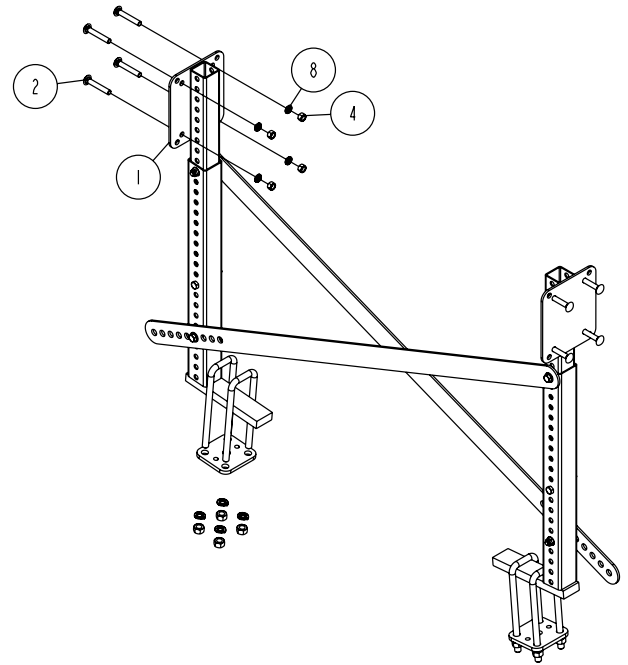


SSPV Pontoon Kit for V-Frame Hoists



Assembly Instructions:

Determine the location of your pontoon boat with respect to the platforms of your hoist. This is necessary to determine the location of your pontoon support system.

Mount the outside base tubes (Item #9) to the platform tube using a u-bolt plate (Item #11), 1/2" u-bolts (Item #12) and 1/2" lock washers (Item #7), and 1/2" hex nuts (Item #5) in the desired location.

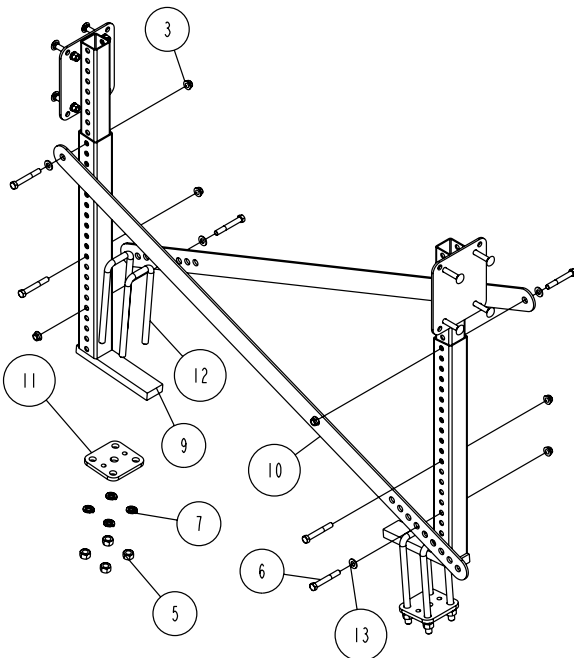
Insert the inside adjustable bunk brackets (Item #1) into the outside base tube. Adjust the inside adjustable bunk bracket to the proper position using 3/8" X 2-3/4" hex bolts (Item #6) and secure with 3/8" flange lock nuts as shown.

Determine the width the pontoon supports should be spaced to properly support your pontoon. Note that the 2X10 or 2X12 planks will be mounted on the outside of the upright supports. Mount the pontoon kit braces (Item #10) to the outside base tube and secure with two (2) 3/8" X 2-3/4" hex bolts, 3/8" flat washers and 3/8" flange lock nuts. Refer to the drawing for assembly procedures.

NOTE: The lumber is not included - please purchase from your local lumber yard. Installation of the 2X10 or 2X12 lumber; lumber should be at least 16".

Position the 2X10 or 2X12, 16" plank on the hoist platform at a location front to rear as determined earlier. Raise and center the plank vertically on the inside adjustable bunk bracket mounting plate. Drill holes in the plank using the mounting plate as a template. Secure the plank to the mounting plate using 3/8" x 2-1/2" carriage bolts (Item #2), 3/8" lock washers and 3/8" hex nuts.

Repeat the process on the other plank. The assembly is complete. Your pontoon kit is adjustable vertically. Make sure the 2X10 or 2X12 planks are adjusted high enough so that they support the pontoon completely and that you have a minimum clearance at 2" to 3" between the hoist platform and your pontoon tubes.



ITEM	PART #	DESCRIPTION	QTY	NOTE
1	61350	BUNK BRKT INSIDE ADJ PNTON KIT	4	
2	0210125	CARR 3/8-16 X 2 1/2 GR5	16	
3	1440101	HEX LOCKNUT FLANGE 3/8-16 W/T&T	12	
4	1410109	HEX NUT 3/8-16	16	
5	1440159	HEX NUT FINISH 1/2-13	16	
6	0120052	HH 3/8-16 X 2 3/4 CS GR5	12	
7	1310040	LOCKWASHER 1/2 S/T MED	16	
8	1340030	LOCKWASHER 3/8 S/T MED ULTRASEAL	16	
9	61349	OUTSIDE BASE TUBE PONTON KIT	4	
10	A233	PONTON KIT BRACE 2X 50 ALUM	4	
11	68616	SPRING AND AXLE U-BOLT PLATE	4	
12	0310280	SUB 1/2 X 2 9/16 X 7 5/8	8	
13	1340095	WASHER USS FLAT 3/8	8	