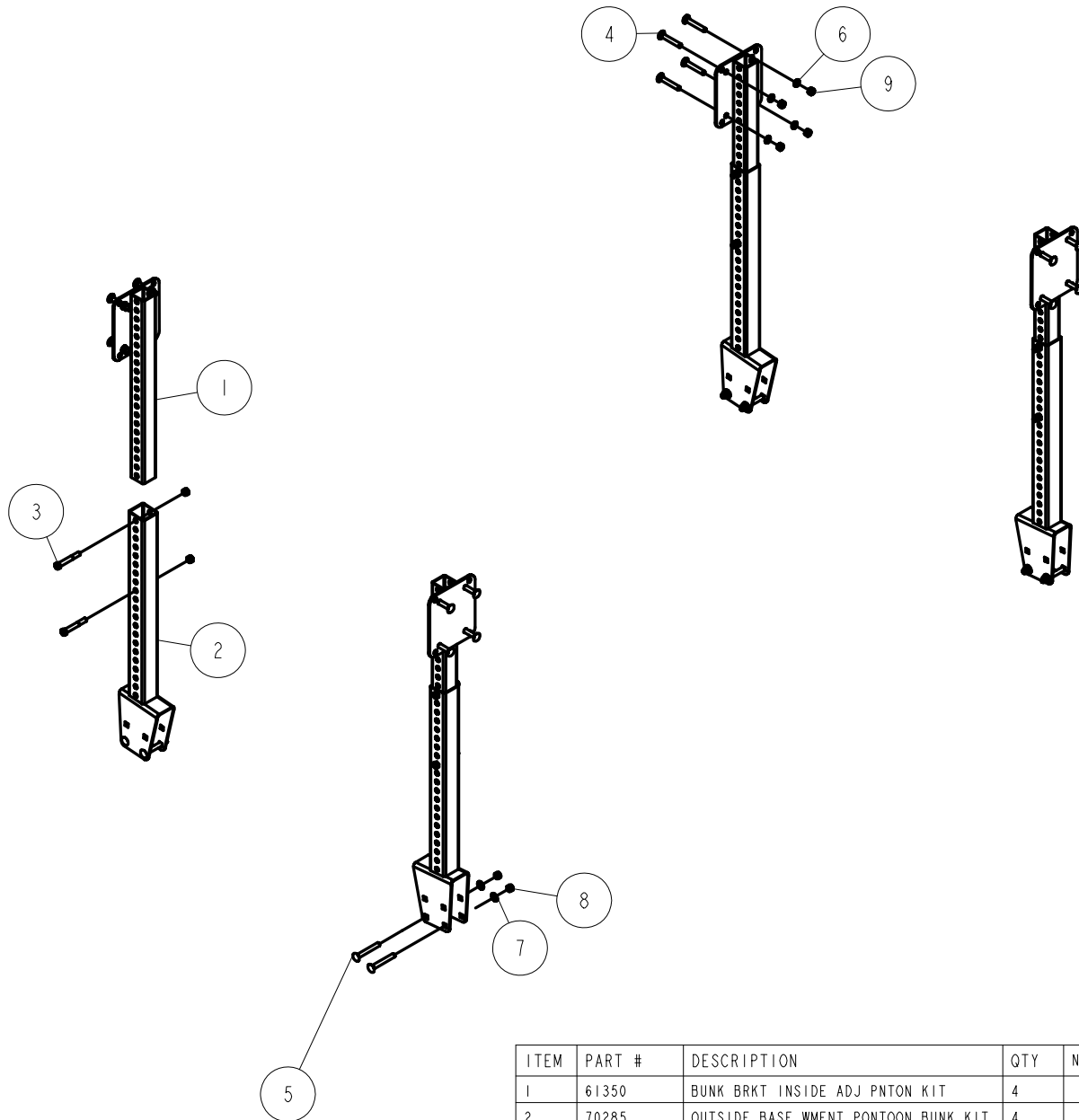


### HA0088-10 PONTOON SUPPORT KIT V FRAME HOISTS



ITEM	PART #	DESCRIPTION	QTY	NOTE
1	61350	BUNK BRKT INSIDE ADJ PNTON KIT	4	
2	70285	OUTSIDE BASE WMENT PONTOON BUNK KIT	4	
3	0150052	HH 3/8-16 X 2 3/4 CS STAINLESS	8	
4	0250125	CARR 3/8-16 X 2 1/2 STAINLESS	16	
5	0250128	CARR 3/8-16 X 3 SS GR5 STAINLESS	8	
6	1350030	LOCK WASHER 3/8 S/T MED STAINLES	16	
7	1350095	WASHER USS FLAT 3/8 STAINLESS	8	
8	1450099	HEX LOCKNUT 3/8 SS W/NYLON INSER	16	
9	1450109	HEX NUT 3/8-16 STAINLESS	16	

### Assembly Instructions:

Determine the location of your pontoon boat with respect to the platforms of your hoist. This is necessary to determine the location of your pontoon support system.

**Note all hardware for this kit is stainless steel so during assembly an anti seize compound should be used on the threads of the hardware to prevent galling.**

Mount the outside base tubes (Item #2) to the platform tube using a 3/8-16 X 3" stainless steel carriage bolt (Item #3), and 3/8" flat washers (Item #7), and 3/8" hex lock nuts with nylon inserts (Item #8) in the desired location.

Insert the inside adjustable bunk brackets (Item #1) into the outside base tube. Adjust the inside adjustable bunk bracket to the proper position using 3/8" X 2-3/4" hex bolts (Item #3) and secure with 3/8" hex lock nuts with nylon inserts (Item #8) as shown.

Determine the width the pontoon supports should be spaced to properly support your pontoon. Note that the 2X10 or 2X12 planks will be mounted on the outside of the upright supports. Refer to the drawing for assembly procedures.

**NOTE:** The lumber is not included - please purchase from your local lumber yard. Installation of the 2X10 or 2X12 lumber; lumber should be at least 16 feet long.

Position the 2X10 or 2X12, plank on the hoist platform at a location front to rear as determined earlier. Raise and center the plank vertically on the inside adjustable bunk bracket mounting plate. Drill holes in the plank using the mounting plate as a template. Secure the plank to the mounting plate using 3/8" x 2-1/2" carriage bolts (Item #4), 3/8" lock washers (Item #6) and 3/8" hex nuts (Item #9).

Repeat the process on the other plank. The assembly is complete.

Your pontoon kit is adjustable vertically. Make sure the 2X10 or 2X12 planks are adjusted high enough so that they support the pontoon completely and that you have a minimum clearance at 2" to 3" between the hoist platform and your pontoon tubes.