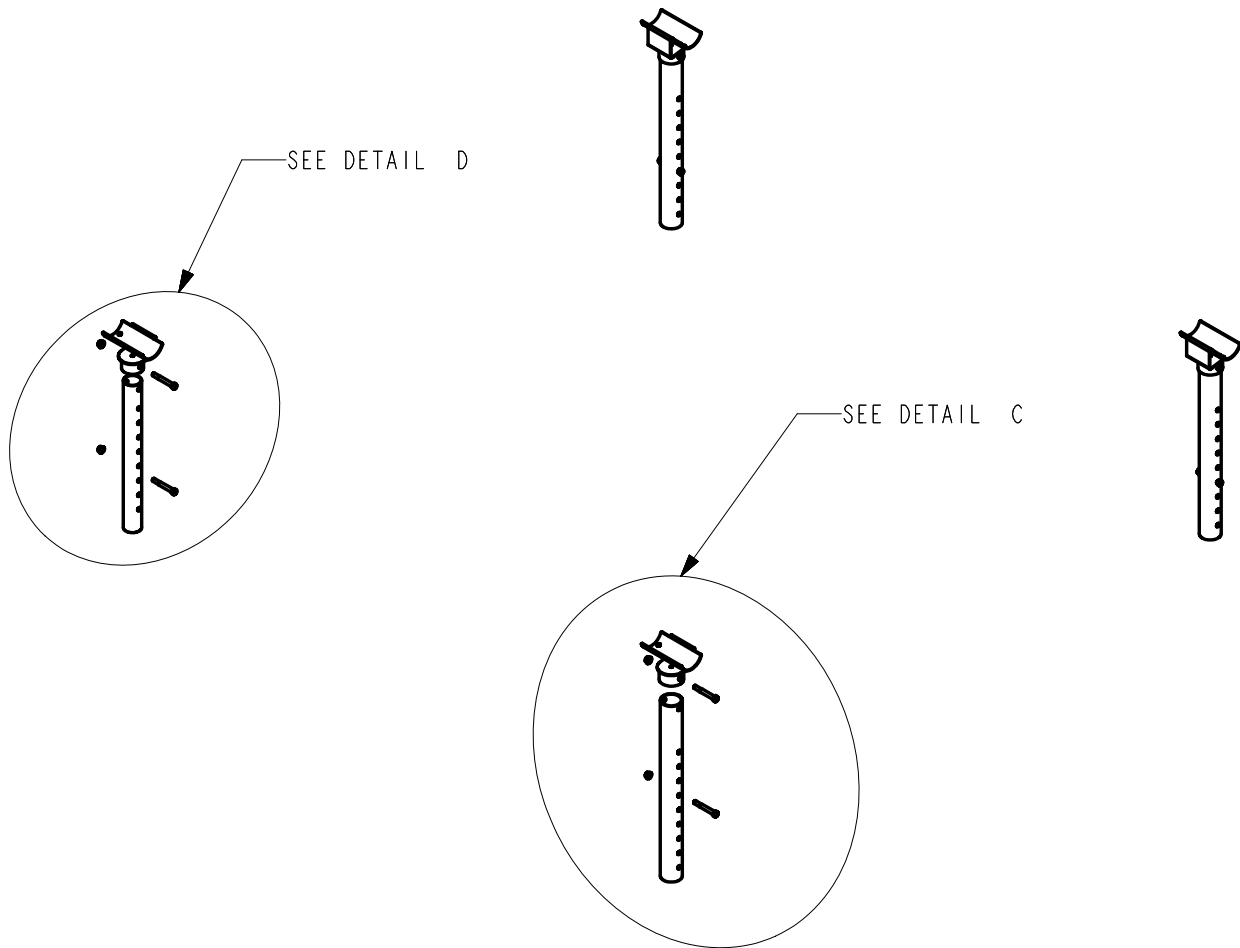


## Canopy Post Bundles

<b>Canopy Post Bundle</b>	<b>Pages</b>	<b>Models of Hoists</b>
CP30D (Deep Water)	2-3	All Models of Mechanical Lift Aluminum Hoists M, MS, EAS, EDS, & DW
CP72D (72" Legs)	4-5	SSV15100, SSV20100, SSV30108 SSV30120, SSV40108, SSV40120
CP90D (90" Legs)	6-7	SSPV30108, SSPV30120, SSPV40108, & SSPV40120
CP32M (Deep Water)	8-9	All Models of Mechanical Lift Aluminum Hoists M, MS, EAS, EDS, & DW
CP72M (72" Legs)	10-11	SSV60108 & SSV60120
CP90F (90" Legs)	12-13	Also includes 2009 and older models of SSV50108, SSV50120, & SSV60132
CP32Q (Deep Water)	14-15	Includes 2010 & Newer Models of SSV50108M, MS, EAS, EDS, & DW
CP72Q (72" Legs)	16-17	SSPV50108M, MS, EAS, EDS, & DW
CP90Q (90" Legs)	18-19	SSV50120M, MS, EAS, EDS, & DW SSPV50120M, MS, EAS, EDS, & DW
CP30H (Deep Water)	20-21	Includes all Models of Hydraulic Hoists
CP72K (72" Legs)	22-23	SSV40108 & SSV40120
CP90K (90" Legs)	24-25	SSPV40108 & SSPV40120
CP32H (Deep Water)	26-27	Includes all Models of Hydraulic hoists
CP72H (72" Legs)	28-29	SSV60120, SSV80132,
CP90H (90" Legs)	30-31	SSV100132, & SSV150144 including DW
CP42G	32-33	Steel Hoist SSV45120
CP57G	34-35	Steel Hoist SS36110 & SS3698
CP90J	36-37	Adjustable Leg Model SSV150144AL HYD

## CP30D



**Assembly / Installation Instructions:** Locate the support cups in Bundle No. 68318 and the upright canopy posts in Bundle No. 68325. Attach three of the A209 support cups to the three 30" canopy legs using 1/2" x 4" hex bolts and flange lock nuts. Attach the fourth support cup, A187, to the 38" winch post leg using a 1/2" x 4" hex bolts and flange lock nuts.

Drop a 30" canopy leg with the support cup attached into one of the upright post of the hoist. Position it so that the open side of the curved portion of the support cup just attached is towards the outside of the canopy side frame. This is important because the side pocket of the canopy cover will be drawn around the side frame tube into this area when it is installed. Attach the canopy leg assembly to the upright post with a 1/2" x 4" hex bolt and flange lock nut. Tighten. Repeat this process on the other upright posts.

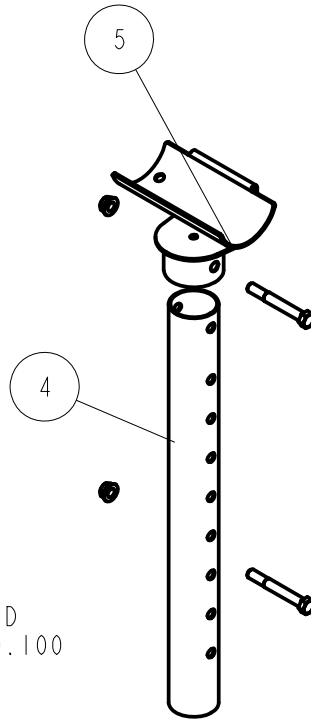
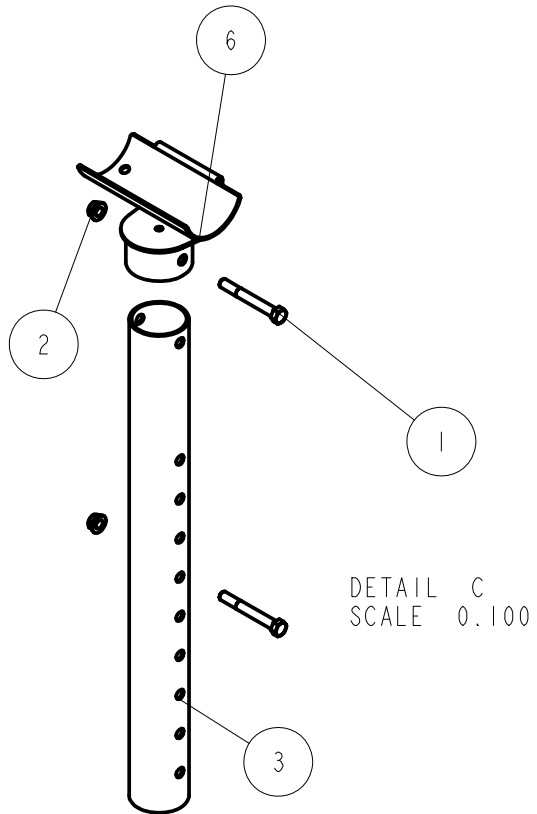
Attach the short 38" winch post leg into the top of the winch case positioning the support cup it in the same manner as the three posts just installed. Attach it with a 1/2" x 4" hex bolts and flange lock nuts. Tighten. Installation is complete.

### **Adjusting the Canopy for Height**

Your canopy is adjustable for height to give your boat maximum protection from the elements. This is accomplished as follows:

1. Adjust your canopy so it is in its highest position. (Canopy legs fully extended).
2. Carefully raise your boat hoist with the boat on it to its highest position making sure it does not come in contact with the canopy.
3. With the hoist and boat in their highest raised position, the canopy can now be lowered and adjusted to the proper height to best protect your boat. This is accomplished by removing the 1/2" x 4" hex bolt attaching the canopy leg to the hoist upright post. Lower the leg one hole and replace the 1/2" x 4" hex bolt just removed. Lower the other canopy legs an equal amount and check for clearance between the canopy and boat. Repeat this process until the desired height is obtained.
4. When the desired height is achieved, secure the canopy legs to the hoist upright posts by placing the 1/2" hex flange lock nuts on the 1/2" x 4" hex bolts. Tighten.

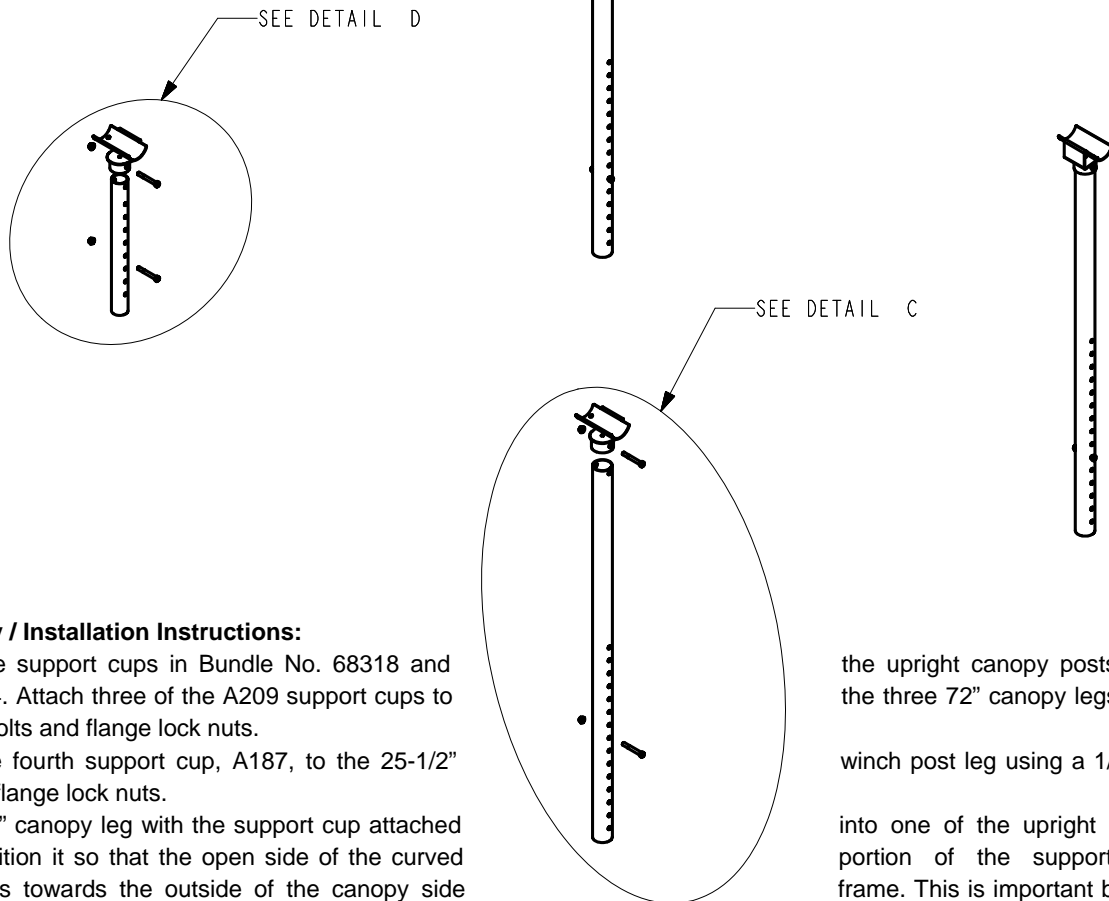
Adjustment is complete.



**BILL OF MATERIALS**

ITEM	PART #	DESCRIPTION	QTY
1	0110114	HH 1/2-13 X 4 CS GR5	8
2	1440102	HEX LOCKNUT FLANGE 1/2-13 W/T	8
3	A102	ADJUSTABLE LEG 3 1/8OD X 30 1/2	3
4	A184	ALUM CANOPY LEG 25 1/2 IN	1
5	A187	SUPPORT CUP WITH 3 1/8OD TUBE	1
6	A209	SUPPORT CUP WITH 3 1/2 OD TUBE	3

## CP72D



### **Assembly / Installation Instructions:**

Locate the support cups in Bundle No. 68318 and No. 68324. Attach three of the A209 support cups to x 4" hex bolts and flange lock nuts.

Attach the fourth support cup, A187, to the 25-1/2" bolts and flange lock nuts.

Drop a 72" canopy leg with the support cup attached hoist. Position it so that the open side of the curved attached is towards the outside of the canopy side pocket of the canopy cover will be drawn around the side frame tube into this area when it is installed. Attach the canopy leg assembly to the upright post with a 1/2" x 4" hex bolt and flange lock nut. Tighten. Repeat this process on the other upright posts.

Attach the short 25-1/2" winch post leg into the top of the winch case positioning the support cup in the same manner as the three posts just installed. Attach it with a 1/2" x 4" hex bolts and flange lock nuts. Tighten. Installation is complete.

### **Adjusting the Canopy for Height**

Your canopy is adjustable for height to give your boat maximum protection from the elements. This is accomplished as follows:

1. Adjust your canopy so it is in its highest position. (Canopy legs fully extended).
2. Carefully raise your boat hoist with the boat on it to its highest position making sure it does not come in contact with the canopy.
3. With the hoist and boat in their highest raised position, the canopy can now be lowered and adjusted to the proper height to best protect your boat. This is accomplished by removing the 1/2" x 4" hex bolt attaching the canopy leg to the hoist upright post. Lower the leg one hole and replace the 1/2" x 4" hex bolt just removed. Lower the other canopy legs an equal amount and check for clearance between the canopy and boat. Repeat this process until the desired height is obtained.
4. When the desired height is achieved, secure the canopy legs to the hoist upright posts by placing the 1/2" hex flange lock nuts on the 1/2" x 4" hex bolts. Tighten.

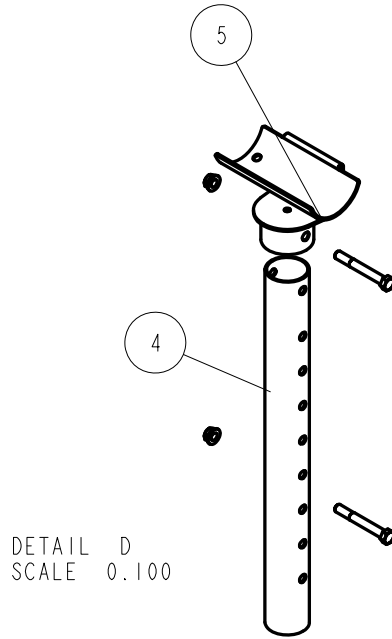
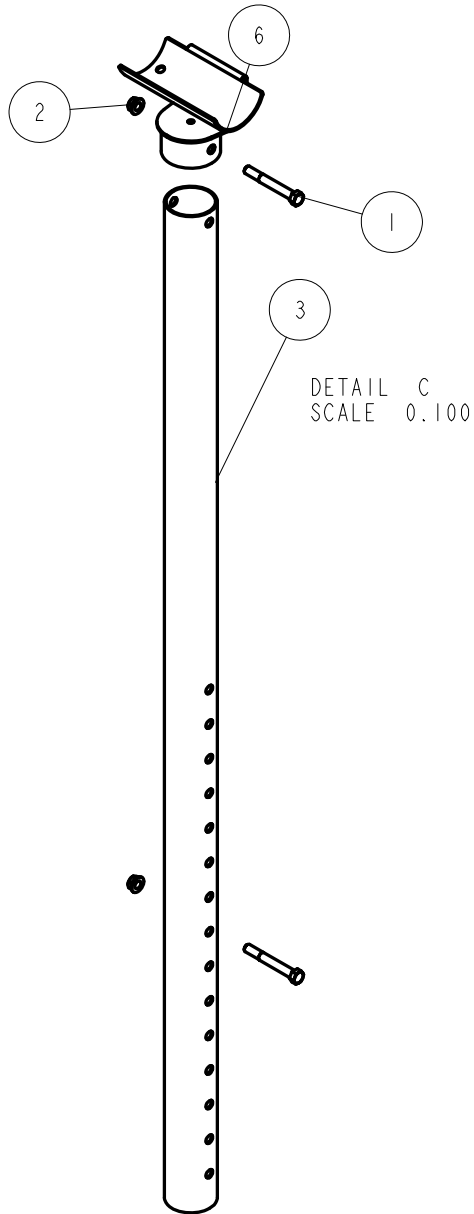
Adjustment is complete

the upright canopy posts in Bundle the three 72" canopy legs using 1/2"

winch post leg using a 1/2" x 4" hex

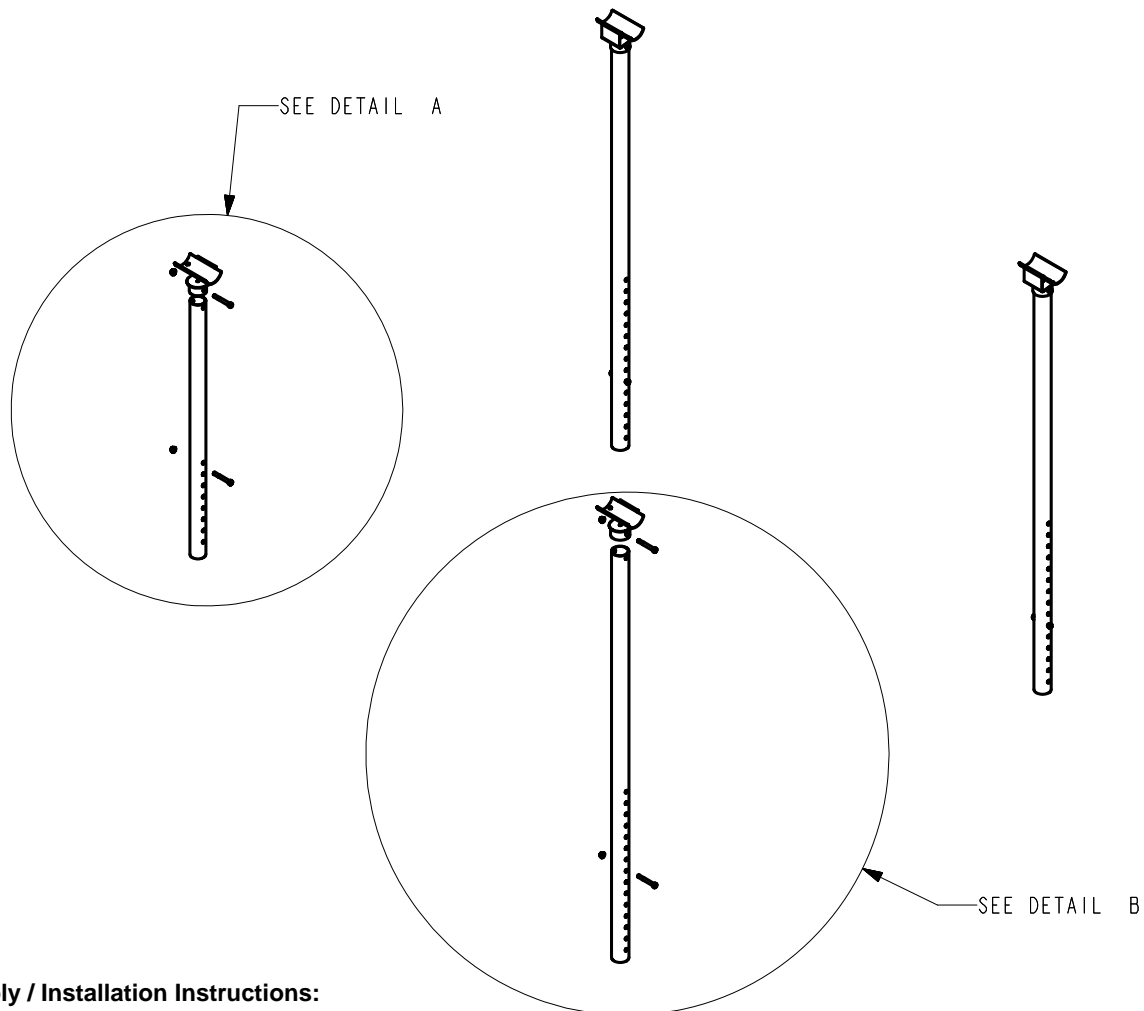
into one of the upright post of the portion of the support cup just

frame. This is important because the



BILL OF MATERIALS			
ITEM	PART #	DESCRIPTION	QTY
1	0110114	HH 1/2-13 X 4 CS GR5	8
2	1440102	HEX LOCKNUT FLANGE 1/2-13 W/T	8
3	A167	CANOPY EXTENSION LEG 90IN	3
4	A184	ALUM CANOPY LEG 25 1/2 IN	1
5	A187	SUPPORT CUP WITH 3 1/8OD TUBE	1
6	A209	SUPPORT CUP WITH 3 1/2 OD TUBE	3

## CP90D



### **Assembly / Installation Instructions:**

Locate the support cups in Bundle No. 68318 and the upright canopy posts in Bundle No. 69549. Attach three of the A209 support cups to the three 90" canopy legs using 1/2" x 4" hex bolts and flange lock nuts.

Attach the fourth support cup, A187, to the 56" winch post leg using a 1/2" x 4" hex bolts and flange lock nuts.

Drop a 90" canopy leg with the support cup attached into one of the upright post of the hoist. Position it so that the open side of the curved portion of the support cup just attached is towards the outside of the canopy side frame. This is important because the side pocket of the canopy cover will be drawn around the side frame tube into this area when it is installed. Attach the canopy leg assembly to the upright post with a 1/2" x 4" hex bolt and flange lock nut. Tighten. Repeat this process on the other upright posts.

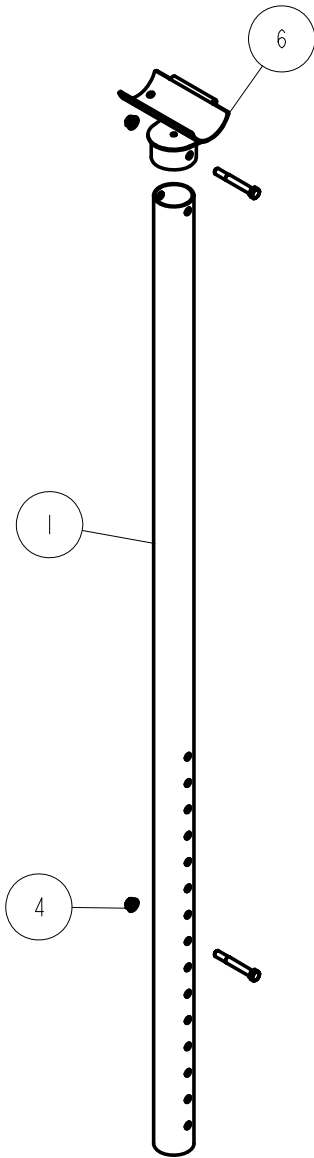
Attach the short 56" winch post leg into the top of the winch case positioning the support cup in the same manner as the three posts just installed. Attach it with a 1/2" x 4" hex bolts and flange lock nuts. Tighten. Installation is complete.

### **Adjusting the Canopy for Height**

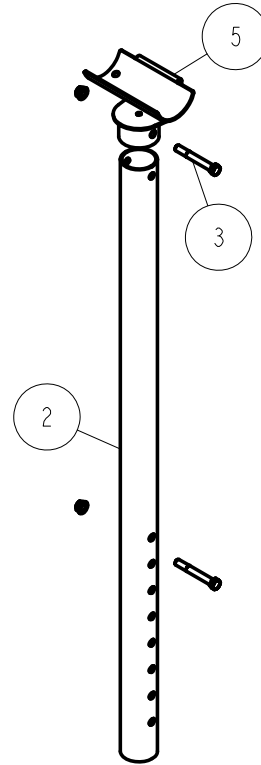
Your canopy is adjustable for height to give your boat maximum protection from the elements. This is accomplished as follows:

1. Adjust your canopy so it is in its highest position. (Canopy legs fully extended).
2. Carefully raise your boat hoist with the boat on it to its highest position making sure it does not come in contact with the canopy.
3. With the hoist and boat in their highest raised position, the canopy can now be lowered and adjusted to the proper height to best protect your boat. This is accomplished by removing the 1/2" x 4" hex bolt attaching the canopy leg to the hoist upright post. Lower the leg one hole and replace the 1/2" x 4" hex bolt just removed. Lower the other canopy legs an equal amount and check for clearance between the canopy and boat. Repeat this process until the desired height is obtained.
4. When the desired height is achieved, secure the canopy legs to the hoist upright posts by placing the 1/2" hex flange lock nuts on the 1/2" x 4" hex bolts. Tighten.

Adjustment is complete



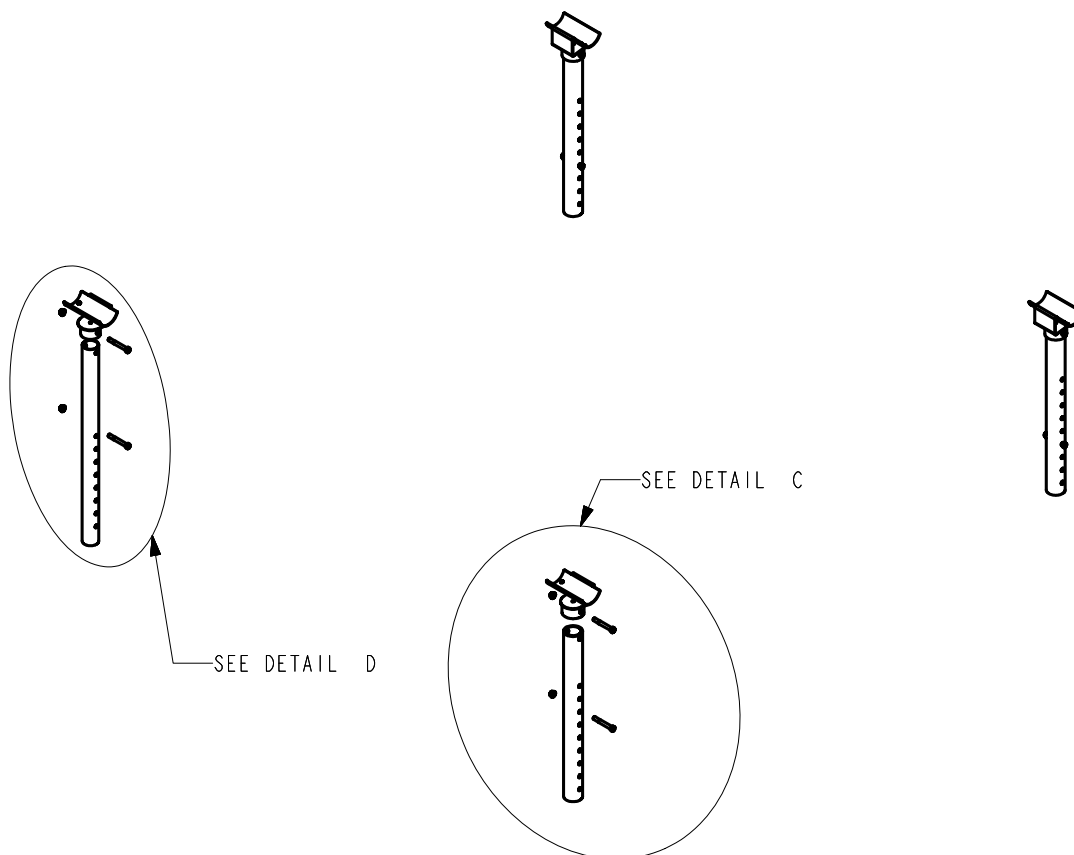
DETAIL B  
SCALE 0.070



DETAIL A  
SCALE 0.070

ITEM	PART #	DESCRIPTION	QTY	NOTE
1	69542	CANOPY EXTENSION LEG 90IN	3	
2	69543	WINCH POST CANOPY LEG EXTENSION	1	
3	0110114	HH 1/2-13 X 4 CS GR5	8	
4	1440102	HEX LOCKNUT FLANGE 1/2-13 W/T	8	
5	A187	SUPPORT CUP WITH 3 1/8OD TUBE	1	
6	A209	SUPPORT CUP WITH 3 1/2 OD TUBE	3	

## CP32M



**Assembly / Installation Instructions:** Locate the support cups in Bundle No. 68318 and the upright canopy posts in Bundle No. 68329. Attach three of the A209 support cups to the three 32" canopy legs using 1/2" x 4" hex bolts and flange lock nuts. Attach the fourth support cup, A187, to the 38" winch post leg using a 1/2" x 4" hex bolts and flange lock nuts. Drop a 32" canopy leg with the support cup attached into one of the upright post of the hoist. Position it so that the open side of the curved portion of the support cup just attached is towards the outside of the canopy side frame. This is important because the side pocket of the canopy cover will be drawn around the side frame tube into this area when it is installed. Attach the canopy leg assembly to the upright post with a 1/2" x 4" hex bolt and flange lock nut. Tighten. Repeat this process on the other upright posts.

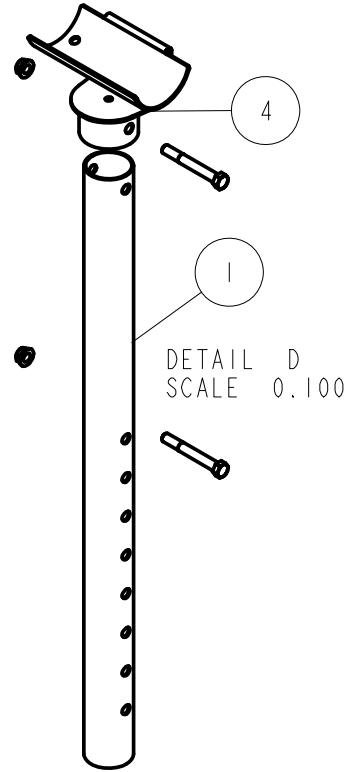
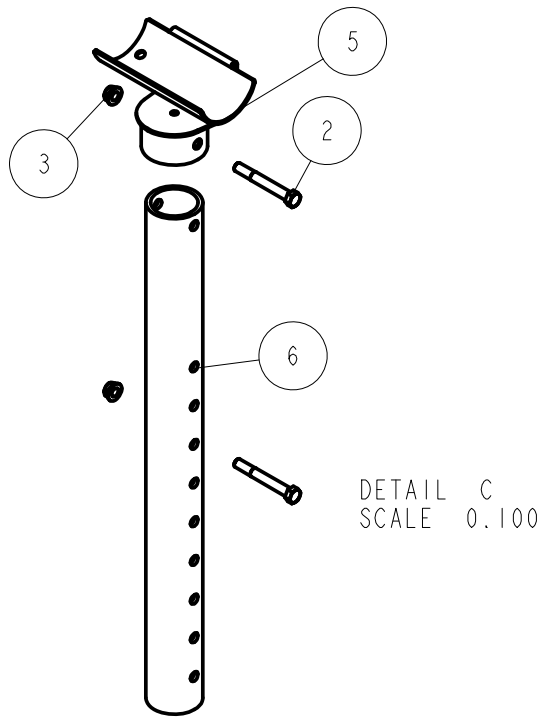
Attach the 38" winch post leg into the top of the winch case positioning the support cup it in the same manner as the three posts just installed. Attach it with a 1/2" x 4" hex bolts and flange lock nuts. Tighten. Installation is complete.

### **Adjusting the Canopy for Height**

Your canopy is adjustable for height to give your boat maximum protection from the elements. This is accomplished as follows:

1. Adjust your canopy so it is in its highest position. (Canopy legs fully extended).
2. Carefully raise your boat hoist with the boat on it to its highest position making sure it does not come in contact with the canopy.
3. With the hoist and boat in their highest raised position, the canopy can now be lowered and adjusted to the proper height to best protect your boat. This is accomplished by removing the 1/2" x 4" hex bolt attaching the canopy leg to the hoist upright post. Lower the leg one hole and replace the 1/2" x 4" hex bolt just removed. Lower the other canopy legs an equal amount and check for clearance between the canopy and boat. Repeat this process until the desired height is obtained.
4. When the desired height is achieved, secure the canopy legs to the hoist upright posts by placing the 1/2" hex flange lock nuts on the 1/2" x 4" hex bolts. Tighten.

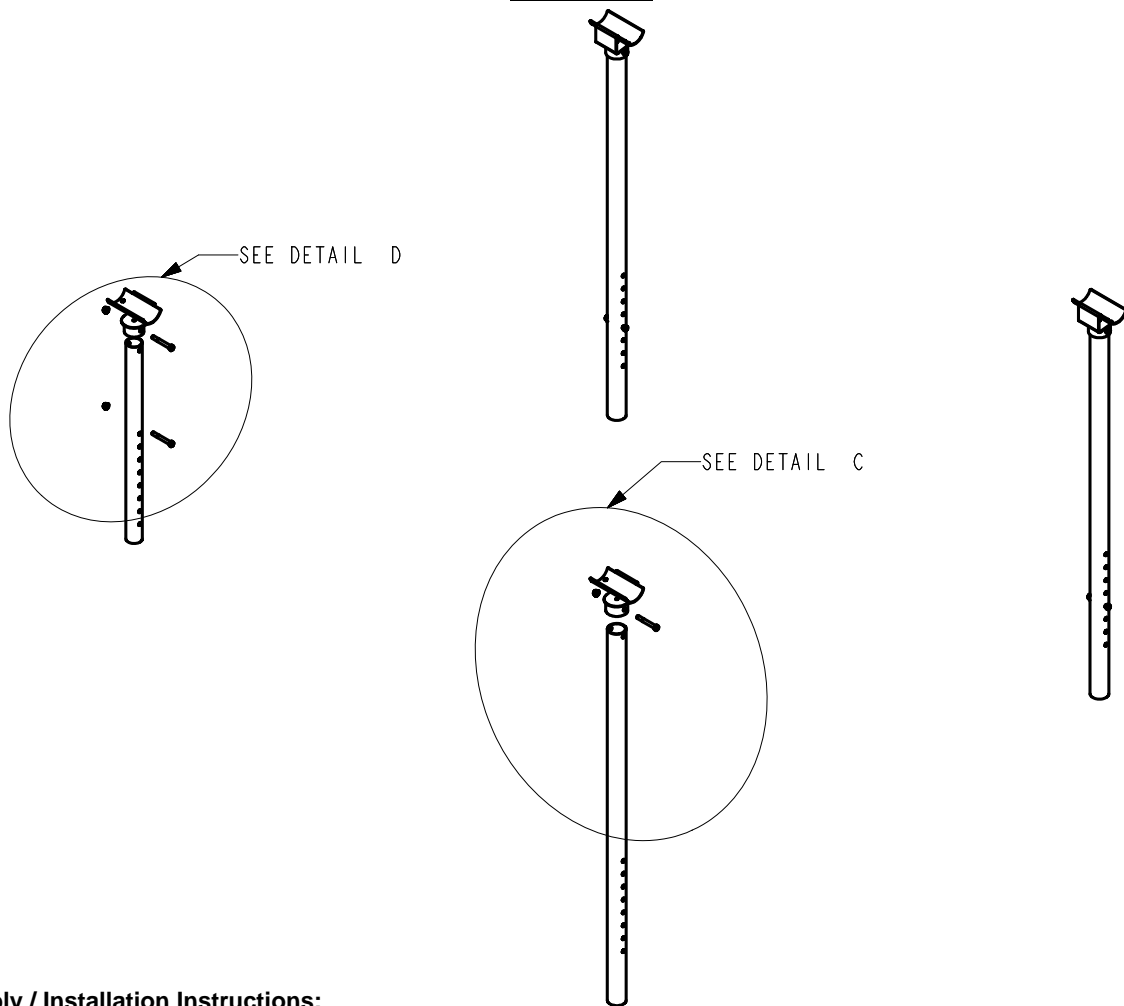
Adjustment is complete.



### BILL OF MATERIALS

ITEM	PART #	DESCRIPTION	QTY
1	68983	WINCH POST CANOPY LEG - 38"	1
2	0110114	HH 1/2-13 X 4 CS GR5	8
3	1440102	HEX LOCKNUT FLANGE 1/2-13 W/T	8
4	A187	SUPPORT CUP WITH 3 1/8OD TUBE	1
5	A209	SUPPORT CUP WITH 3 1/2 OD TUBE	3
6	A315	ADJUSTABLE LEG 30D X 2 1/2IDX32	3

## CP72M



### **Assembly / Installation Instructions:**

Locate the support cups in Bundle No. 68318 and the upright canopy posts in Bundle No. 68330. Attach three of the A209 support cups to the three 72" canopy legs using 1/2" x 4" hex bolts and flange lock nuts.

Attach the fourth support cup, A187, to the 38" winch post leg using a 1/2" x 4" hex bolts and flange lock nuts.

Drop a 72" canopy leg with the support cup attached into one of the upright post of the hoist. Position it so that the open side of the curved portion of the support cup just attached is towards the outside of the canopy side frame. This is important because the side pocket of the canopy cover will be drawn around the side frame tube into this area when it is installed. Attach the canopy leg assembly to the upright post with a 1/2" x 4" hex bolt and flange lock nut. Tighten. Repeat this process on the other upright posts.

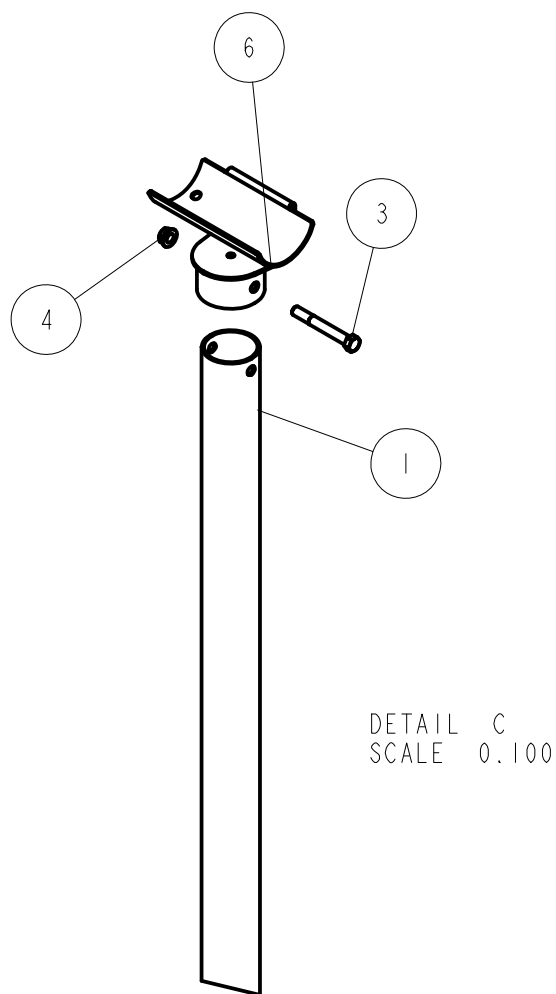
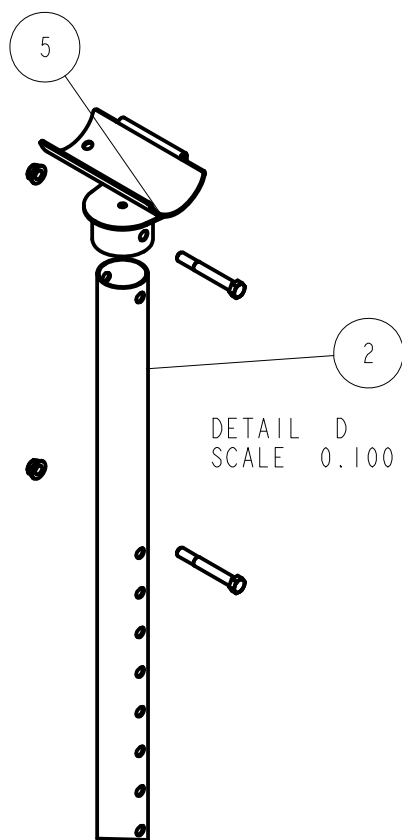
Attach the short 38" winch post leg into the top of the winch case positioning the support cup in the same manner as the three posts just installed. Attach it with a 1/2" x 4" hex bolts and flange lock nuts. Tighten. Installation is complete.

### **Adjusting the Canopy for Height**

Your canopy is adjustable for height to give your boat maximum protection from the elements. This is accomplished as follows:

1. Adjust your canopy so it is in its highest position. (Canopy legs fully extended).
2. Carefully raise your boat hoist with the boat on it to its highest position making sure it does not come in contact with the canopy.
3. With the hoist and boat in their highest raised position, the canopy can now be lowered and adjusted to the proper height to best protect your boat. This is accomplished by removing the 1/2" x 4" hex bolt attaching the canopy leg to the hoist upright post. Lower the leg one hole and replace the 1/2" x 4" hex bolt just removed. Lower the other canopy legs an equal amount and check for clearance between the canopy and boat. Repeat this process until the desired height is obtained.
4. When the desired height is achieved, secure the canopy legs to the hoist upright posts by placing the 1/2" hex flange lock nuts on the 1/2" x 4" hex bolts. Tighten.

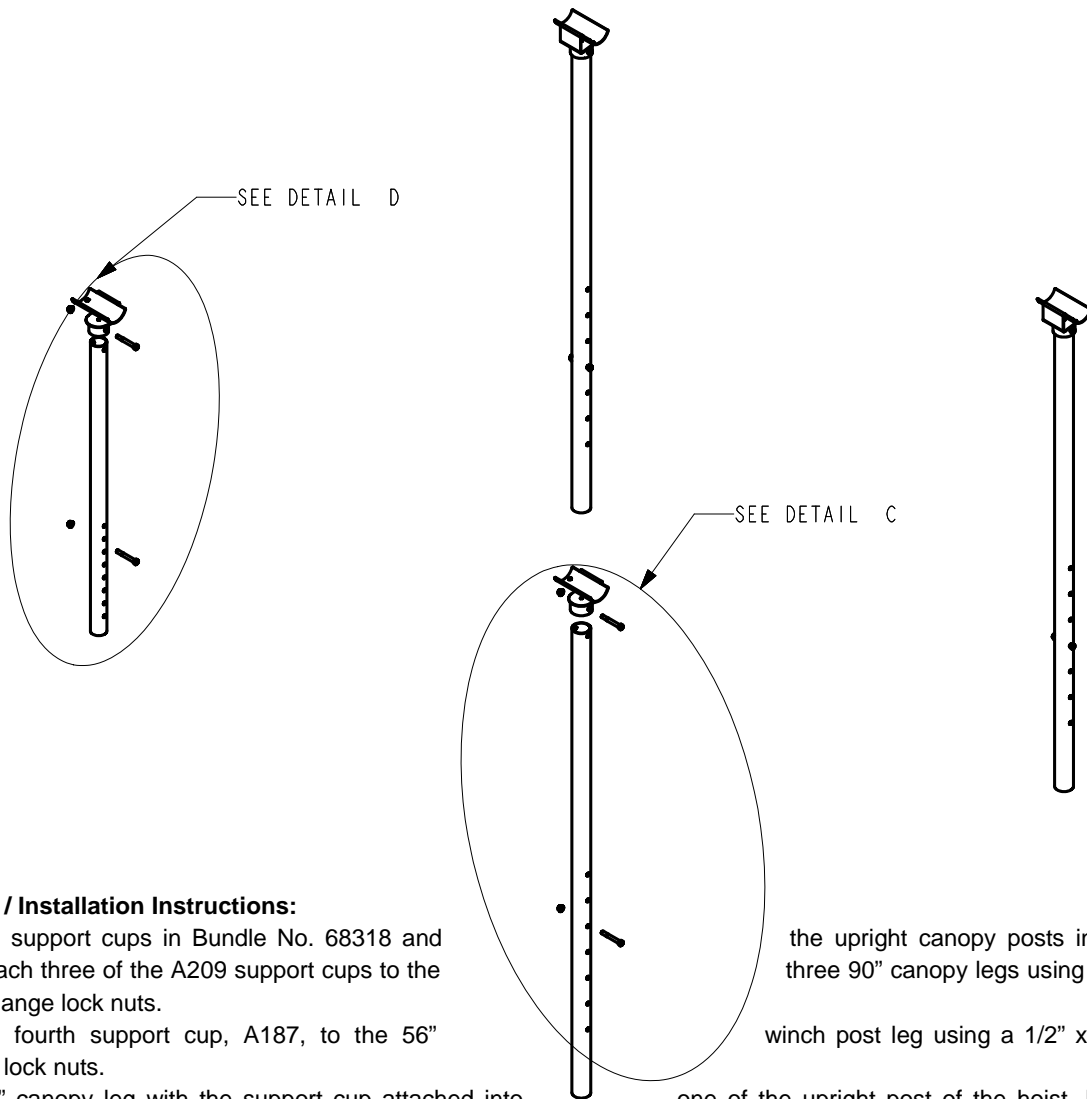
Adjustment is complete.



**BILL OF MATERIALS**

ITEM	PART #	DESCRIPTION	QTY
1	68981	CANOPY EXTENSION LEG 72"	3
2	68983	WINCH POST CANOPY LEG - 38"	1
3	0110114	HH 1/2-13 X 4 CS GR5	8
4	1440102	HEX LOCKNUT FLANGE 1/2-13 W/T	8
5	A187	SUPPORT CUP WITH 3 1/8OD TUBE	1
6	A209	SUPPORT CUP WITH 3 1/2 OD TUBE	3

## CP90F



### Assembly / Installation Instructions:

Locate the support cups in Bundle No. 68318 and 68327. Attach three of the A209 support cups to the bolts and flange lock nuts.

Attach the fourth support cup, A187, to the 56" and flange lock nuts.

Drop a 90" canopy leg with the support cup attached into one of the upright post of the hoist. Position it so that the open side of the curved portion of the support cup just attached is towards the outside of the canopy side frame. This is important because the side pocket of the canopy cover will be drawn around the side frame tube into this area when it is installed. Attach the canopy leg assembly to the upright post with a 1/2" x 4" hex bolt and flange lock nut. Tighten. Repeat this process on the other upright posts.

Attach the short 56" winch post leg into the top of the winch case positioning the support cup in the same manner as the three posts just installed. Attach it with a 1/2" x 4" hex bolts and flange lock nuts. Tighten. Installation is complete.

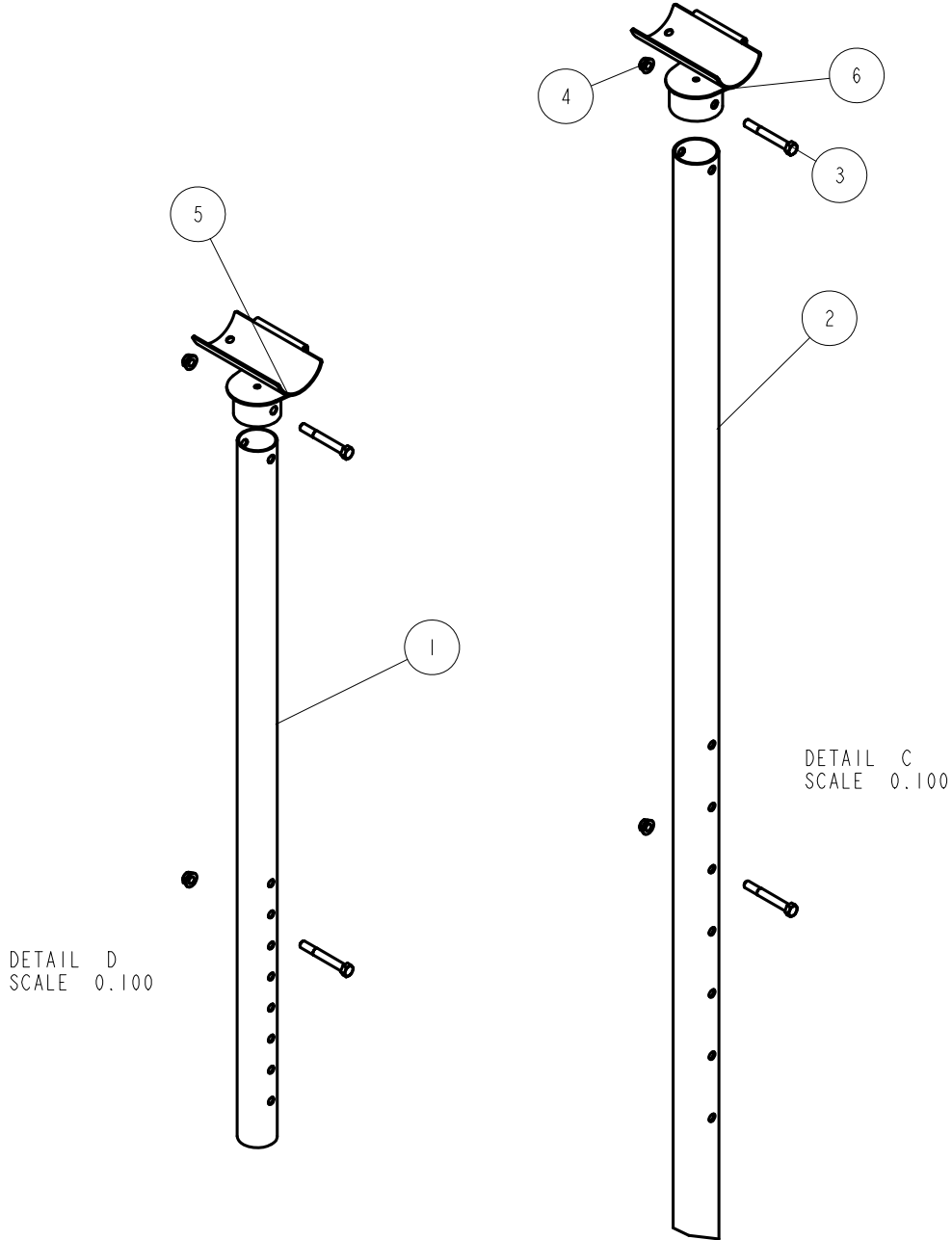
### Adjusting the Canopy for Height

Your canopy is adjustable for height to give your boat maximum protection from the elements. This is accomplished as follows:

1. Adjust your canopy so it is in its highest position. (Canopy legs fully extended).
2. Carefully raise your boat hoist with the boat on it to its highest position making sure it does not come in contact with the canopy.
3. With the hoist and boat in their highest raised position, the canopy can now be lowered and adjusted to the proper height to best protect your boat. This is accomplished by removing the 1/2" x 4" hex bolt attaching the canopy leg to the hoist upright post. Lower the leg one hole and replace the 1/2" x 4" hex bolt just removed. Lower the other canopy legs an equal amount and check for process until the desired height is obtained.
4. When the desired height is achieved, secure the canopy legs to the hoist upright posts by placing the 1/2" hex flange lock nuts on the 1/2" x 4" hex bolts. Tighten. Adjustment is complete.

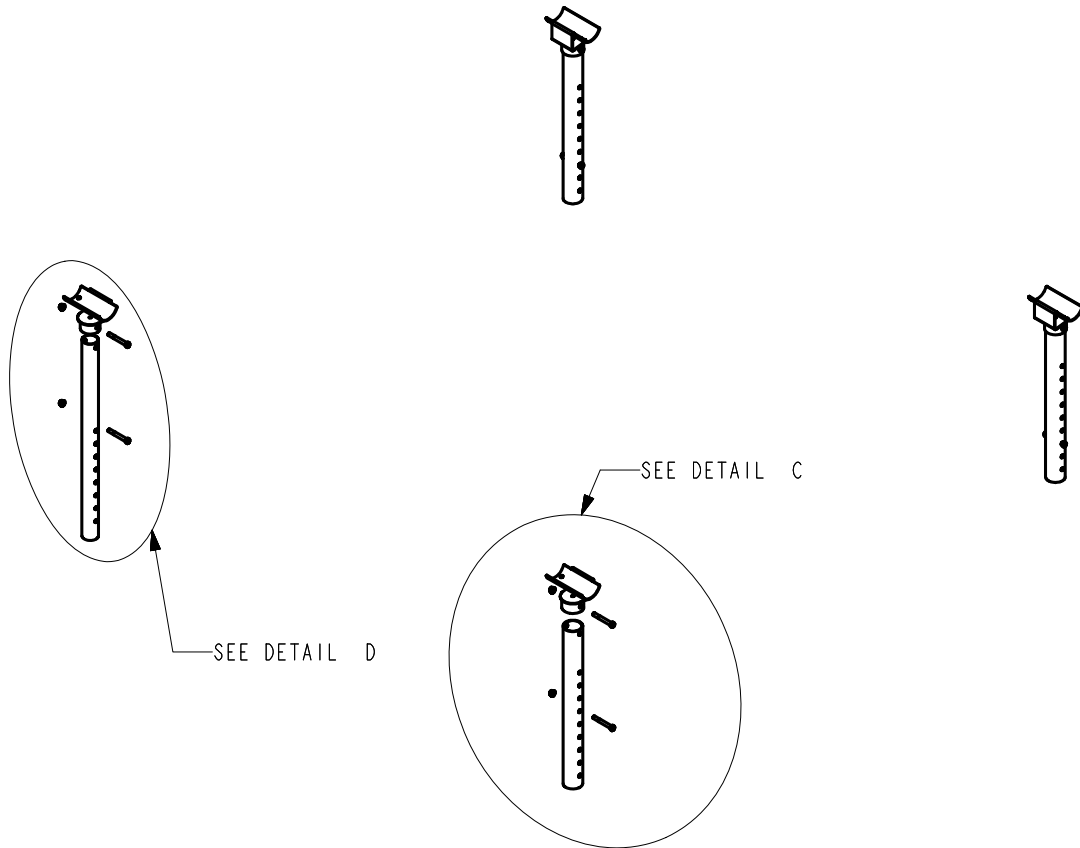
**NOTE:**

**HA0007** Brace Tube Bundle is used in conjunction with the CP90F when attaching a CF30-120 and CF30-132 canopy frame.



BILL OF MATERIALS			
ITEM	PART #	DESCRIPTION	QTY
1	68982	WINCH POST CANOPY LEG - 56"	1
2	68985	ALUM CANOPY LEG 3 OD X 90	3
3	0110114	HH 1/2-13 X 4 CS GR5	8
4	1440102	HEX LOCKNUT FLANGE 1/2-13 W/T	8
5	A187	SUPPORT CUP WITH 3 1/8OD TUBE	1
6	A209	SUPPORT CUP WITH 3 1/2 OD TUBE	3

## CP32Q



**Assembly / Installation Instructions:** Locate the support cups in Bundle No. 68318 and the upright canopy posts in Bundle No. 70470. Attach three of the A209 support cups to the three 30 1/2" canopy legs using 1/2" x 4" hex bolts and flange lock nuts.

Attach the fourth support cup, A187, to the 38" winch post leg using a 1/2" x 4" hex bolts and flange lock nuts.

Drop a 30 1/2" canopy leg with the support cup attached into one of the upright post of the hoist. Position it so that the open side of the curved portion of the support cup just attached is towards the outside of the canopy side frame. This is important because the side pocket of the canopy cover will be drawn around the side frame tube into this area when it is installed. Attach the canopy leg assembly to the upright post with a 1/2" x 4" hex bolt and flange lock nut. Tighten. Repeat this process on the other upright posts.

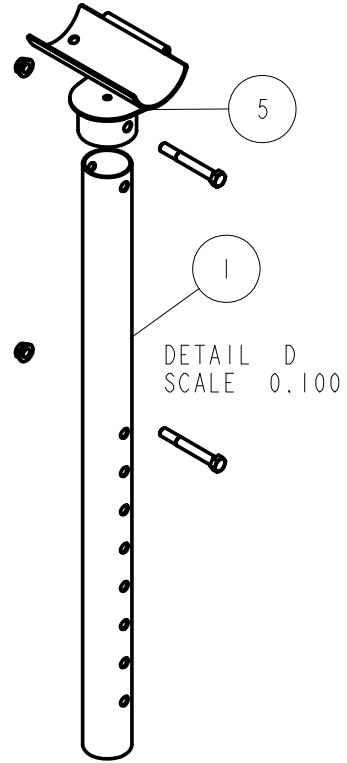
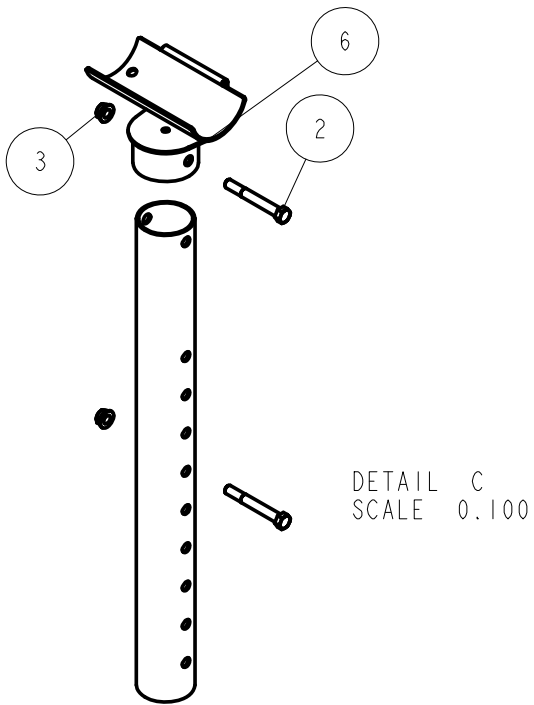
Attach the 38" winch post leg into the top of the winch case positioning the support cup it in the same manner as the three posts just installed. Attach it with a 1/2" x 4" hex bolts and flange lock nuts. Tighten. Installation is complete.

### **Adjusting the Canopy for Height**

Your canopy is adjustable for height to give your boat maximum protection from the elements. This is accomplished as follows:

1. Adjust your canopy so it is in its highest position. (Canopy legs fully extended).
2. Carefully raise your boat hoist with the boat on it to its highest position making sure it does not come in contact with the canopy.
3. With the hoist and boat in their highest raised position, the canopy can now be lowered and adjusted to the proper height to best protect your boat. This is accomplished by removing the 1/2" x 4" hex bolt attaching the canopy leg to the hoist upright post. Lower the leg one hole and replace the 1/2" x 4" hex bolt just removed. Lower the other canopy legs an equal amount and check for clearance between the canopy and boat. Repeat this process until the desired height is obtained.
4. When the desired height is achieved, secure the canopy legs to the hoist upright posts by placing the 1/2" hex flange lock nuts on the 1/2" x 4" hex bolts. Tighten.

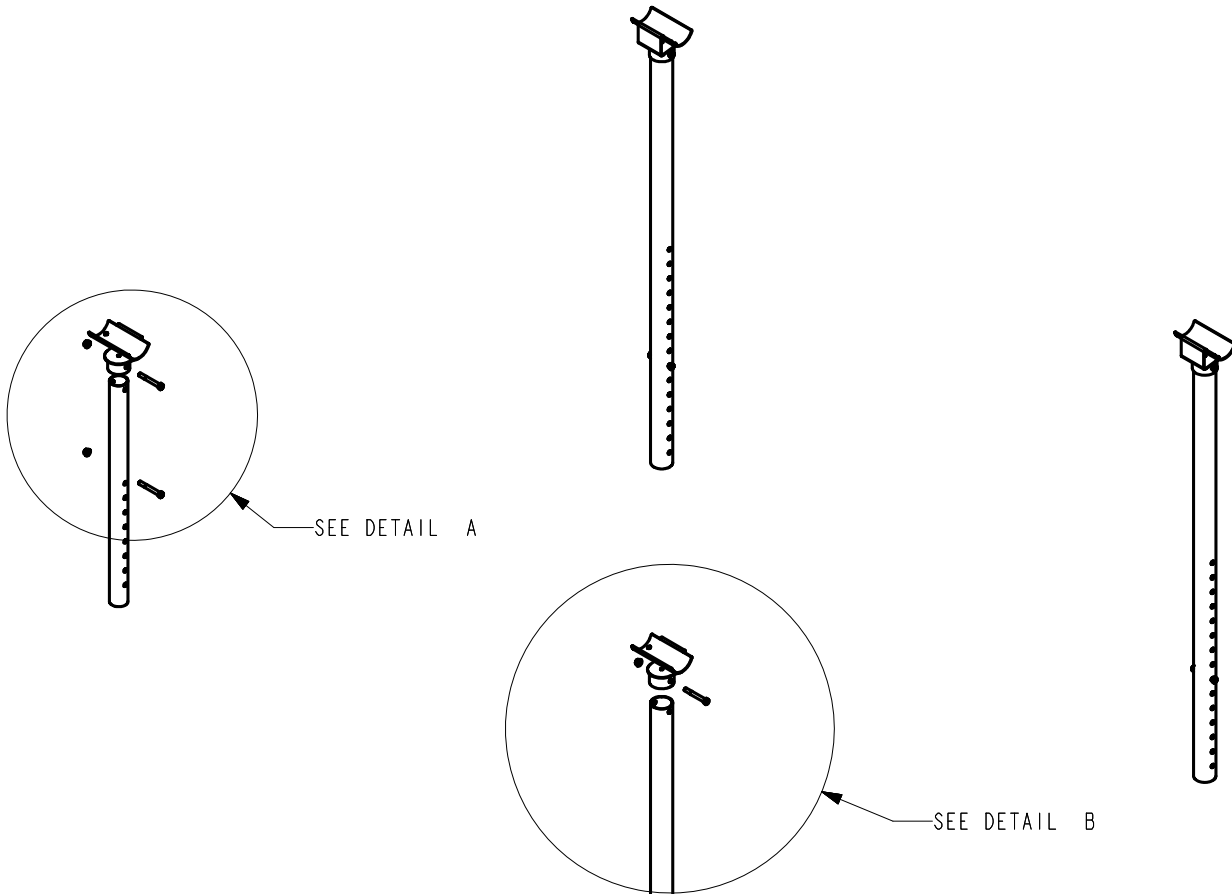
Adjustment is complete.



### BILL OF MATERIALS

ITEM	PART #	DESCRIPTION	QTY
1	68983	WINCH POST CANOPY LEG - 38"	1
2	0110114	HH 1/2-13 X 4 CS GR5	8
3	1440102	HEX LOCKNUT FLANGE 1/2-13 W/T	8
4	A102	ADJUSTABLE LEG 3 1/8OD X 30 1/2	3
5	A187	SUPPORT CUP WITH 3 1/8OD TUBE	1
6	A209	SUPPORT CUP WITH 3 1/2 OD TUBE	3

## CP72Q



### **Assembly / Installation Instructions:**

Locate the support cups in Bundle No. 68318 and the the A209 support cups to the three 72" canopy legs using Attach the fourth support cup, A187, to the 38" winch post Drop a 72" canopy leg with the support cup attached into open side of the curved portion of the support cup just This is important because the side pocket of the canopy area when it is installed. Attach the canopy leg assembly to the upright post with a 1/2" x 4" hex bolt and flange lock nut. Tighten. Repeat this process on the other upright posts.

Attach the short 38" winch post leg into the top of the winch case positioning the support cup in the same manner as the three posts just installed. Attach it with a 1/2" x 4" hex bolts and flange lock nuts. Tighten. Installation is complete.

### **Adjusting the Canopy for Height**

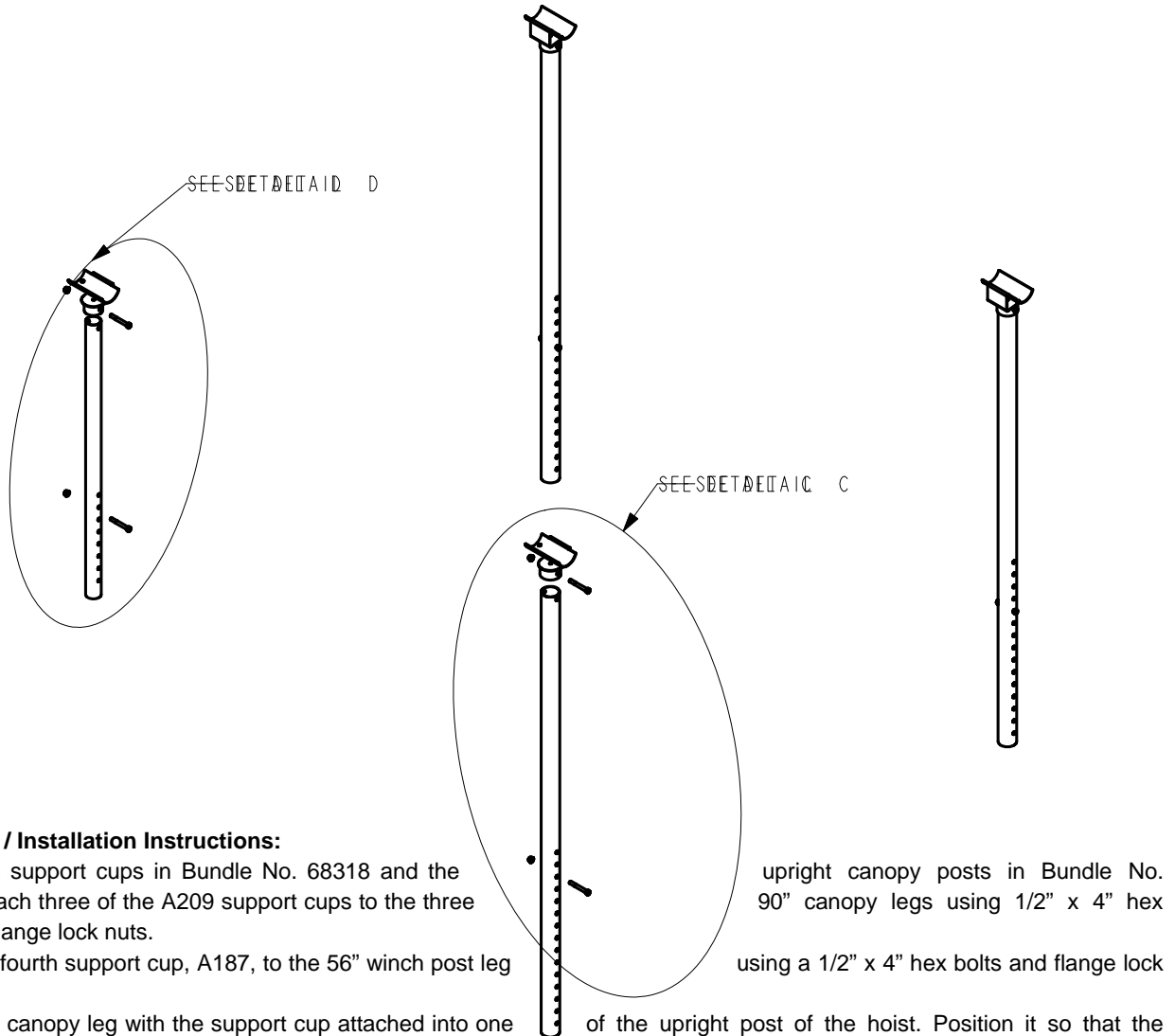
Your canopy is adjustable for height to give your boat maximum protection from the elements. This is accomplished as follows:

1. Adjust your canopy so it is in its highest position. (Canopy legs fully extended).
2. Carefully raise your boat hoist with the boat on it to its highest position making sure it does not come in con tact with the canopy.
3. With the hoist and boat in their highest raised position, the canopy can now be lowered and adjusted to the proper height to best protect your boat. This is accomplished by removing the 1/2" x 4" hex bolt attaching the canopy leg to the hoist upright post. Lower the leg one hole and replace the 1/2" x 4" hex bolt just removed. Lower the other canopy legs an equal amount and check for clearance between the canopy and boat. Repeat this process until the desired height is obtained.
4. When the desired height is achieved, secure the canopy legs to the hoist upright posts by placing the 1/2" hex flange lock nuts on the 1/2" x 4" hex bolts. Tighten.

Adjustment is complete.



## CP90Q



### **Assembly / Installation Instructions:**

Locate the support cups in Bundle No. 68318 and the 70220. Attach three of the A209 support cups to the three

Attach the fourth support cup, A187, to the 56" winch post leg nuts.

Drop a 90" canopy leg with the support cup attached into one of the upright post of the hoist. Position it so that the open side of the curved portion of the support cup just attached is towards the outside of the canopy side frame. This is important because the side pocket of the canopy cover will be drawn around the side frame tube into this area when it is installed. Attach the canopy leg assembly to the upright post with a 1/2" x 4" hex bolt and flange lock nut. Tighten. Repeat this process on the other upright posts.

Attach the short 56" winch post leg into the top of the winch case positioning the support cup in the same manner as the three posts just installed. Attach it with a 1/2" x 4" hex bolts and flange lock nuts. Tighten. Installation is complete.

### **Adjusting the Canopy for Height**

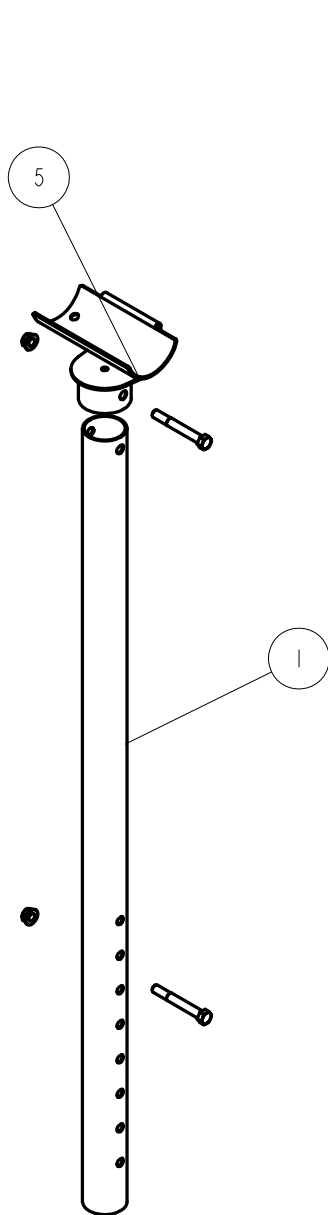
Your canopy is adjustable for height to give your boat maximum protection from the elements. This is accomplished as follows:

1. Adjust your canopy so it is in its highest position. (Canopy legs fully extended).
2. Carefully raise your boat hoist with the boat on it to its highest position making sure it does not come in contact with the canopy.
3. With the hoist and boat in their highest raised position, the canopy can now be lowered and adjusted to the proper height to best protect your boat. This is accomplished by removing the 1/2" x 4" hex bolt attaching the canopy leg to the hoist upright post. Lower the leg one hole and replace the 1/2" x 4" hex bolt just removed. Lower the other canopy legs an equal amount and check for process until the desired height is obtained.
4. When the desired height is achieved, secure the canopy legs to the hoist upright posts by placing the 1/2" hex flange lock nuts on the 1/2" x 4" hex bolts. Tighten.

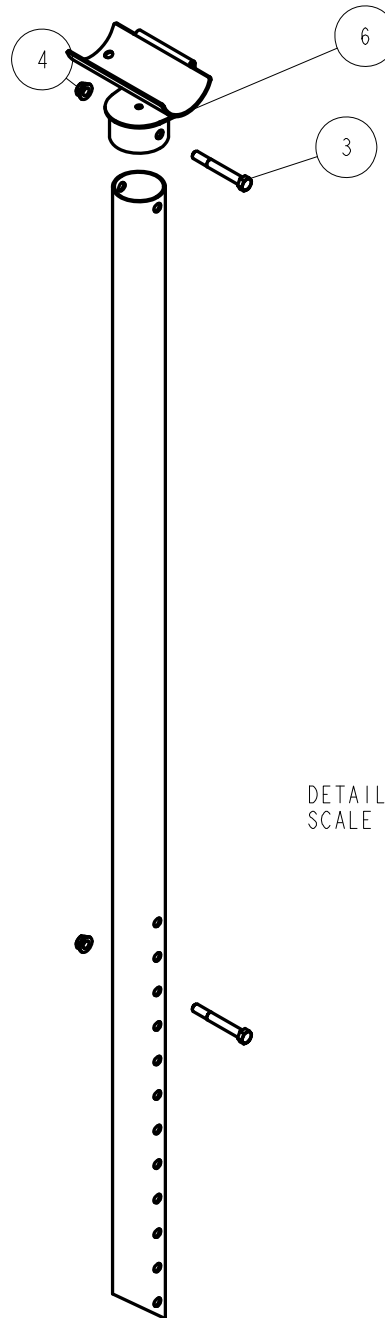
Adjustment is complete

**NOTE:**

**HA0007** Brace Tube Bundle is used in conjunction with the CP90F when attaching a CF30-120 and CF30-132 canopy frame.



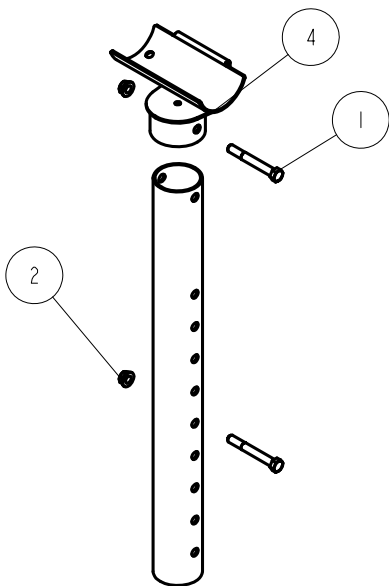
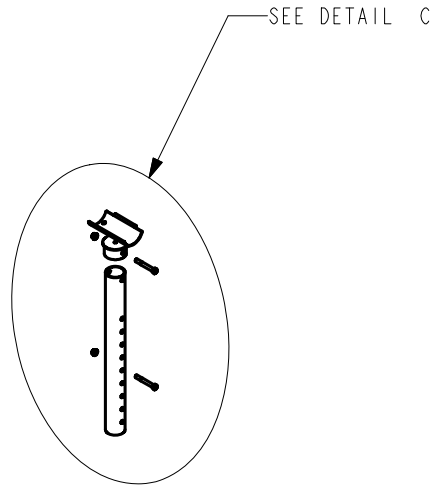
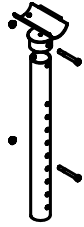
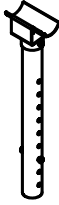
DETAIL D  
SCALE 0.100



DETAIL C  
SCALE 0.100

BILL OF MATERIALS			
ITEM	PART #	DESCRIPTION	QTY
1	68982	WINCH POST CANOPY LEG - 56"	1
2	69542	CANOPY EXTENSION LEG 90IN	3
3	0110114	HH 1/2-13 X 4 CS GR5	8
4	1440102	HEX LOCKNUT FLANGE 1/2-13 W/T	8
5	A187	SUPPORT CUP WITH 3 1/8OD TUBE	1
6	A209	SUPPORT CUP WITH 3 1/2 OD TUBE	3

# CP30H



DETAIL C  
SCALE 0.100

BILL OF MATERIALS			
ITEM	PART #	DESCRIPTION	QTY
1	0110114	HH 1/2-13 X 4 CS GR5	8
2	1440102	HEX LOCKNUT FLANGE 1/2-13 W/T	8
3	A102	ADJUSTABLE LEG 3 1/8OD X 30 1/2	4
4	A209	SUPPORT CUP WITH 3 1/2 OD TUBE	4

**Assembly / Installation Instructions:**

Locate the support cups in Bundle No. 68317 and the upright canopy posts in Bundle No. 68347. Attach three of the A209 support cups to the three 30 1/2" canopy legs using 1/2" x 4" hex bolts and flange lock nuts.

Drop a 30 1/2" canopy leg with the support cup attached into one of the upright post of the hoist. Position it so that the open side of the curved portion of the support cup just attached is towards the outside of the canopy side frame. This is important because the side pocket of the canopy cover will be drawn around the side frame tube into this area when it is installed. Attach the canopy leg assembly to the upright post with a 1/2" x 4" hex bolt and flange lock nut. Tighten. Repeat this process on the other upright posts.

Attach the fourth support cup, A209, as directed above to the 3" canopy leg that is shipped standard with the hoist using a 1/2" x 4" hex bolts and flange lock nuts. This canopy leg is used for mounting the swing arm pendent.

Installation is complete.

**Adjusting the Canopy for Height**

Your canopy is adjustable for height to give your boat maximum protection from the elements. This is accomplished as follows:

1. Adjust your canopy so it is in its highest position. (Canopy legs fully extended).
2. Carefully raise your boat hoist with the boat on it to its highest position making sure it does not come in contact with the canopy.
3. With the hoist and boat in their highest raised position, the canopy can now be lowered and adjusted to the proper height to best protect your boat. This is accomplished by removing the 1/2" x 4" hex bolt attaching the canopy leg to the hoist upright post. Lower the leg one hole and replace the 1/2" x 4" hex bolt just removed. Lower the other canopy legs an equal amount and check for clearance between the canopy and boat. Repeat this process until the desired height is obtained.
4. When the desired height is achieved, secure the canopy legs to the hoist upright posts by placing the 1/2" hex flange lock nuts on the 1/2" x 4" hex bolts. Tighten.

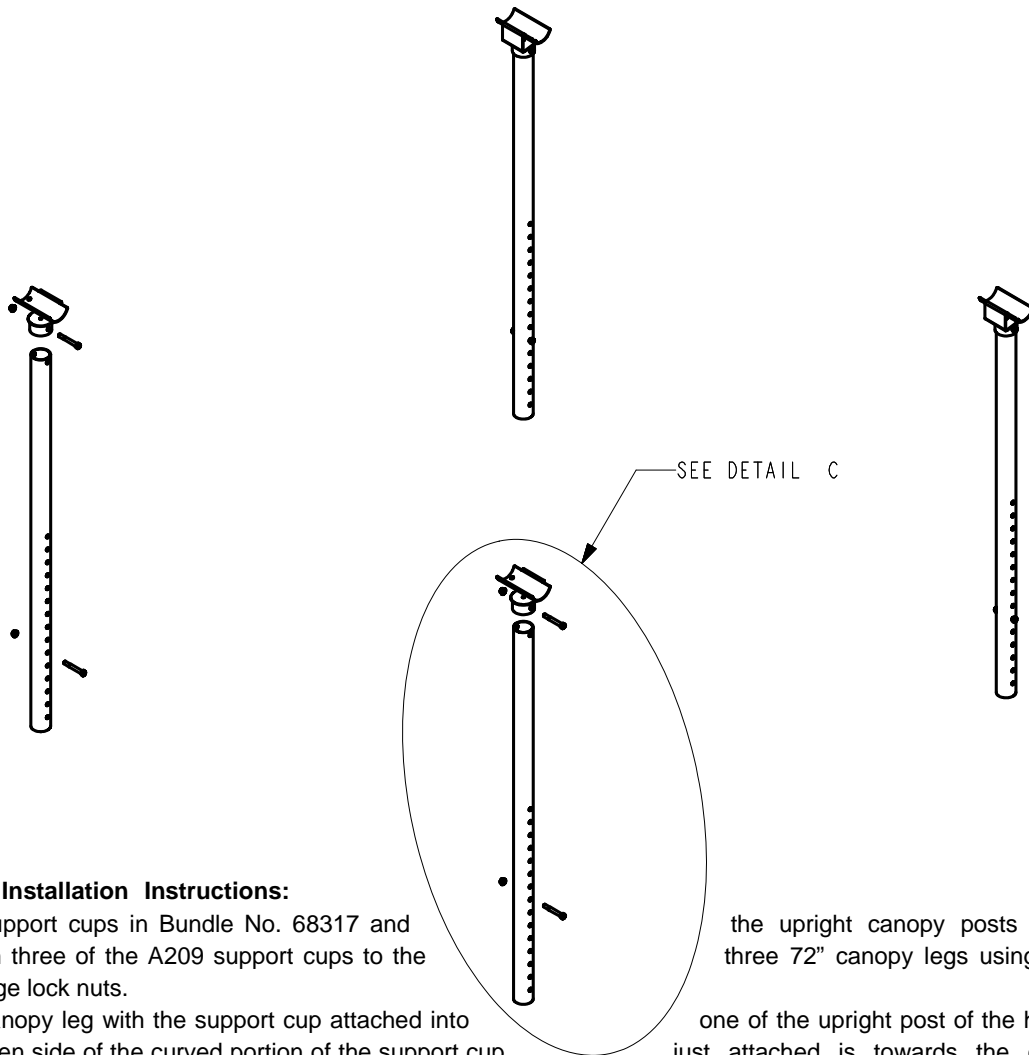
Adjustment is complete.

**NOTE:**

**HA0007** Brace Tube Bundle is used in conjunction with the CP32H when installing a CF30-120 and CF30-132 canopy frame.

**HA0008** Brace Tube Bundle is used in conjunction with the CP32H when installing a CF34-132 canopy frame.

## CP72K



### **Assembly / Installation Instructions:**

Locate the support cups in Bundle No. 68317 and 68331. Attach three of the A209 support cups to the bolts and flange lock nuts.

Drop a 72" canopy leg with the support cup attached into so that the open side of the curved portion of the support cup the canopy side frame. This is important because the side pocket of the canopy cover will be drawn around the side frame tube into this area when it is installed. Attach the canopy leg assembly to the upright post with a 1/2" x 4" hex bolt and flange lock nut. Tighten. Repeat this process on the other upright posts.

Attach the fourth support cup, A209, as directed above to the 72" canopy leg that is shipped standard with the hoist using a 1/2" x 4" hex bolts and flange lock nuts. This canopy leg is used for mounting the swing arm pendent.

Installation is complete.

### **Adjusting the Canopy for Height**

Your canopy is adjustable for height to give your boat maximum protection from the elements. This is accomplished as follows:

1. Adjust your canopy so it is in its highest position. (Canopy legs fully extended).
2. Carefully raise your boat hoist with the boat on it to its highest position making sure it does not come in contact with the canopy.
3. With the hoist and boat in their highest raised position, the canopy can now be lowered and adjusted to the proper height to best protect your boat. This is accomplished by removing the 1/2" x 4" hex bolt attaching the canopy leg to the hoist upright post. Lower the leg one hole and replace the 1/2" x 4" hex bolt just removed. Lower the other canopy legs an equal amount and check for clearance between the canopy and boat. Repeat this process until the desired height is obtained.
4. When the desired height is achieved, secure the canopy legs to the hoist upright posts by placing the 1/2" hex flange lock nuts on the 1/2" x 4" hex bolts. Tighten.

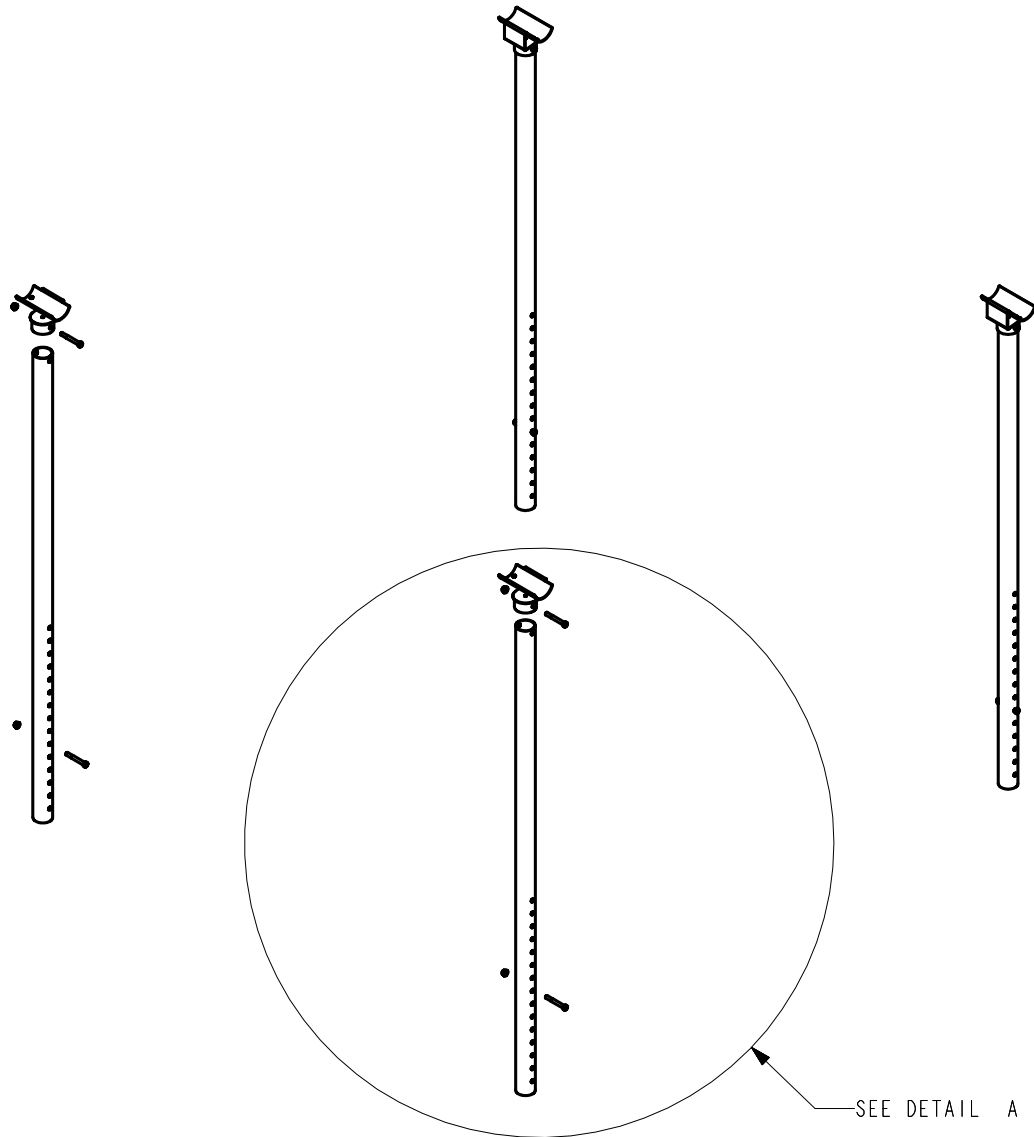
Adjustment is complete.

the upright canopy posts in Bundle No. three 72" canopy legs using 1/2" x 4" hex

one of the upright post of the hoist. Position it just attached is towards the outside of the



## CP90K



### **Assembly / Installation Instructions:**

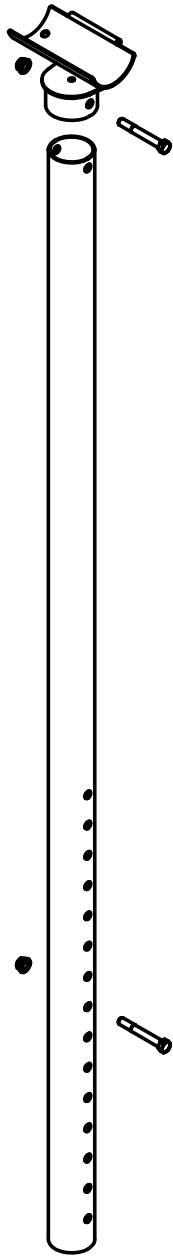
Locate the support cups in Bundle No. 68317 and the upright canopy posts in Bundle No. 69548. Attach three of the A209 support cups to three of the 90" canopy legs using 1/2" x 4" hex bolts and flange lock nuts.

Drop a 90" canopy leg with the support cup attached into one of the upright post of the hoist. Position it so that the open side of the curved portion of the support cup just attached is towards the outside of the canopy side frame. This is important because the side pocket of the canopy cover will be drawn around the side frame tube into this area when it is installed. Attach the canopy leg assembly to the upright post with a 1/2" x 4" hex bolt and flange lock nut. Tighten. Repeat this process on the three upright posts that do not have the swing arm pendant control attached to it.

### **If replacing the canopy post bundle on a hydraulic hoist with the swing arm pendant you must do the following:**

The hoist comes shipped with a 72" canopy leg as standard equipment that is used to mount the swing arm for the pendant control. This leg is not long enough when installing the 90" canopy legs. Remove the swing arm from the 72" canopy leg. Remove the 72" canopy leg by removing the 1/2" x 4" hex bolt that attaches it to the upright post and replace it with a 90" canopy post supplied in Bundle 67567. Re-attach to the upright post with the 1/2" x 4" hex bolt just removed. Place the swing arm.

Attach the fourth support cup, A209, as directed above to the 90" canopy leg just installed.  
Installation is complete.



DETAIL A  
SCALE 0.080

### Adjusting the Canopy for Height

Your canopy is adjustable for height to give your boat maximum protection from the elements. This is accomplished as follows:

#### Assembly / Installation Instructions:

1. Adjust your canopy so it is in its highest position. (Canopy legs fully extended).
2. Carefully raise your boat hoist with the boat on it to its highest position making sure it does not come in contact with the canopy.
3. With the hoist and boat in their highest raised position, the canopy can now be lowered and adjusted to the proper height to best protect your boat. This is accomplished by removing the 1/2" x 4" hex bolt attaching the canopy leg to the hoist upright post. Lower the leg one hole and replace the 1/2" x 4" hex bolt just removed. Lower the other canopy legs an equal amount and check for clearance between the canopy and boat. Repeat this process until the desired height is obtained.
4. When the desired height is achieved, secure the canopy legs to the hoist upright posts by placing the 1/2" hex flange lock nuts on the 1/2" x 4" hex bolts. Tighten.

Adjustment is complete.

#### Note:

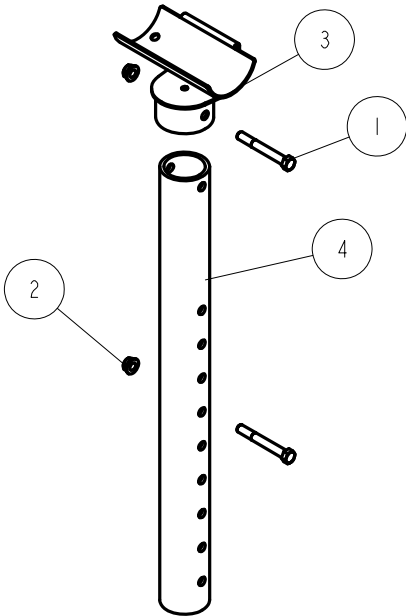
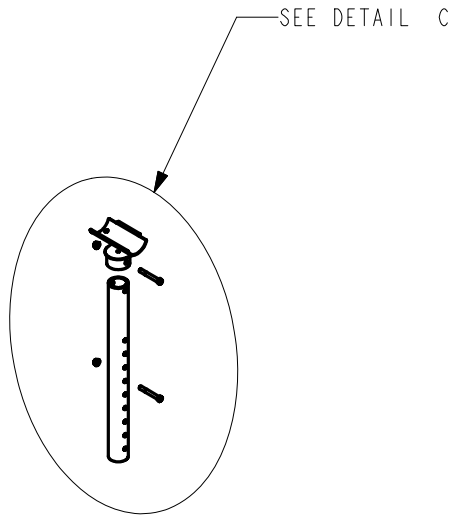
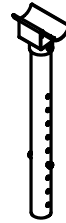
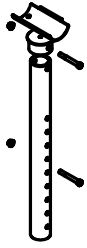
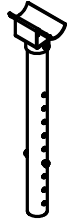
**HA0007** Brace Tube Bundle is used in conjunction with the CP90H when installing either a CF30-120 or CF30-132 canopy frames.

**HA0008** Brace Tube Bundle is used in conjunction with the CP90H when installing a CF34-132 canopy frame.

#### BILL OF MATERIALS

ITEM	PART #	DESCRIPTION	QTY
1	0110114	HH 1/2-13 X 4 CS GR5	8
2	1440102	HEX LOCKNUT FLANGE 1/2-13 W/T	8
3	A167	CANOPY EXTENSION LEG 90IN	4
4	A209	SUPPORT CUP WITH 3 1/2 OD TUBE	4

# CP32H



DETAIL C  
SCALE 0.100

BILL OF MATERIALS			
ITEM	PART #	DESCRIPTION	QTY
1	0110114	HH 1/2-13 X 4 CS GR5	8
2	1440102	HEX LOCKNUT FLANGE 1/2-13 W/T	8
3	A209	SUPPORT CUP WITH 3 1/2 OD TUBE	4
4	A315	ADJUSTABLE LEG 30D X 2 1/2IDX32	4

**Assembly / Installation Instructions:**

Locate the support cups in Bundle No. 68317 and the upright canopy posts in Bundle No. 67320. Attach three of the A209 support cups to the three 32" canopy legs using 1/2" x 4" hex bolts and flange lock nuts.

Drop a 32" canopy leg with the support cup attached into one of the upright post of the hoist. Position it so that the open side of the curved portion of the support cup just attached is towards the outside of the canopy side frame. This is important because the side pocket of the canopy cover will be drawn around the side frame tube into this area when it is installed. Attach the canopy leg assembly to the upright post with a 1/2" x 4" hex bolt and flange lock nut. Tighten. Repeat this process on the other upright posts.

Attach the fourth support cup, A209, as directed above to the 3" canopy leg that is shipped standard with the hoist using a 1/2" x 4" hex bolts and flange lock nuts. This canopy leg is used for mounting the swing arm pendent.

Installation is complete.

**Adjusting the Canopy for Height**

Your canopy is adjustable for height to give your boat maximum protection from the elements. This is accomplished as follows:

1. Adjust your canopy so it is in its highest position. (Canopy legs fully extended).
2. Carefully raise your boat hoist with the boat on it to its highest position making sure it does not come in contact with the canopy.
3. With the hoist and boat in their highest raised position, the canopy can now be lowered and adjusted to the proper height to best protect your boat. This is accomplished by removing the 1/2" x 4" hex bolt attaching the canopy leg to the hoist upright post. Lower the leg one hole and replace the 1/2" x 4" hex bolt just removed. Lower the other canopy legs an equal amount and check for clearance between the canopy and boat. Repeat this process until the desired height is obtained.
4. When the desired height is achieved, secure the canopy legs to the hoist upright posts by placing the 1/2" hex flange lock nuts on the 1/2" x 4" hex bolts. Tighten.

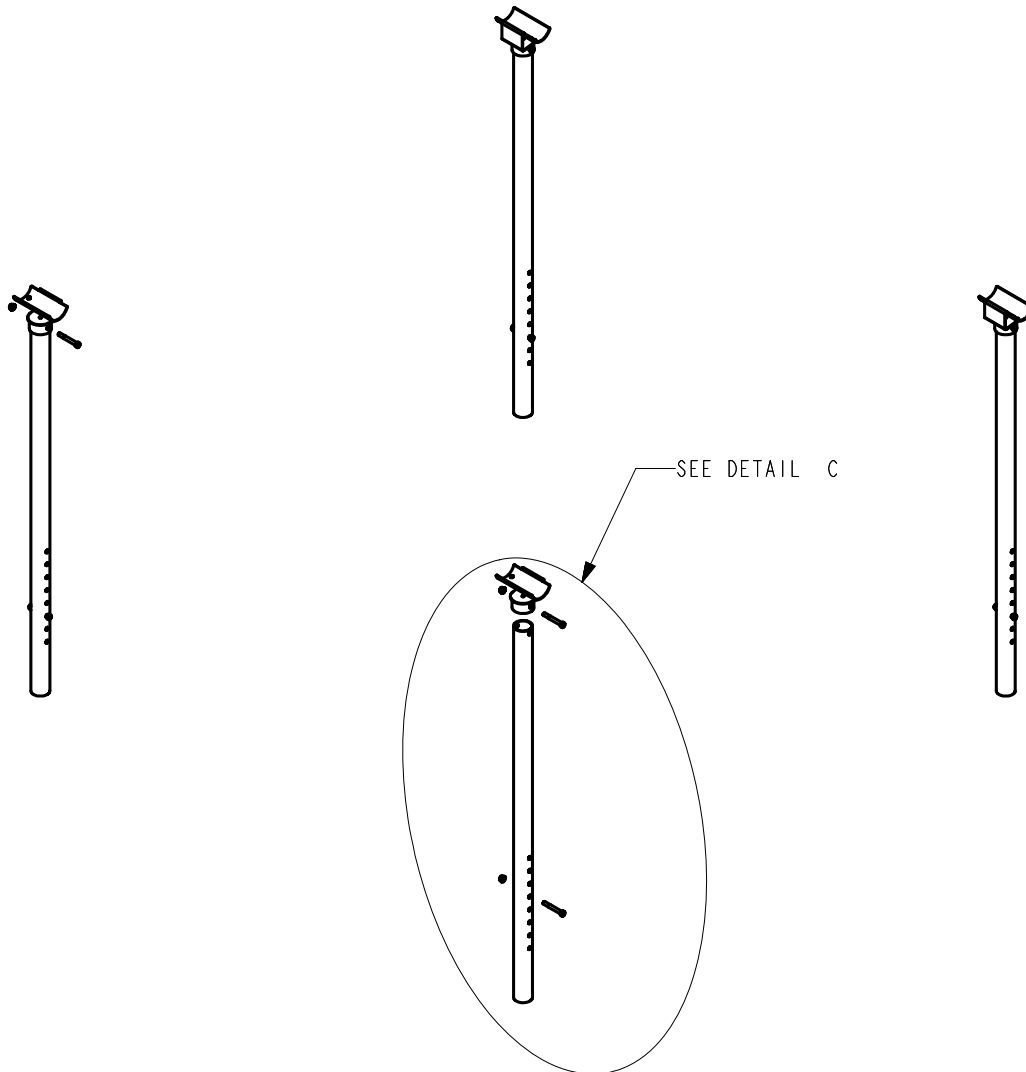
Adjustment is complete.

**NOTE:**

**HA0007** Brace Tube Bundle is used in conjunction with the CP32H when installing a CF30-120 and CF30-132 canopy frame.

**HA0008** Brace Tube Bundle is used in conjunction with the CP32H when installing a CF34-132 canopy frame.

## CP72H



### **Assembly / Installation Instructions:**

Locate the support cups in Bundle No. 68317 and the upright canopy posts in Bundle No. 68332. Attach three of the A209 support cups to the three 72" canopy legs using 1/2" x 4" hex bolts and flange lock nuts.

Drop a 72" canopy leg with the support cup attached into one of the upright post of the hoist. Position it so that the open side of the curved portion of the support cup just attached is towards the outside of the canopy side frame. This is important because the side pocket of the canopy cover will be drawn around the side frame tube into this area when it is installed. Attach the canopy leg assembly to the upright post with a 1/2" x 4" hex bolt and flange lock nut. Tighten. Repeat this process on the other upright posts.

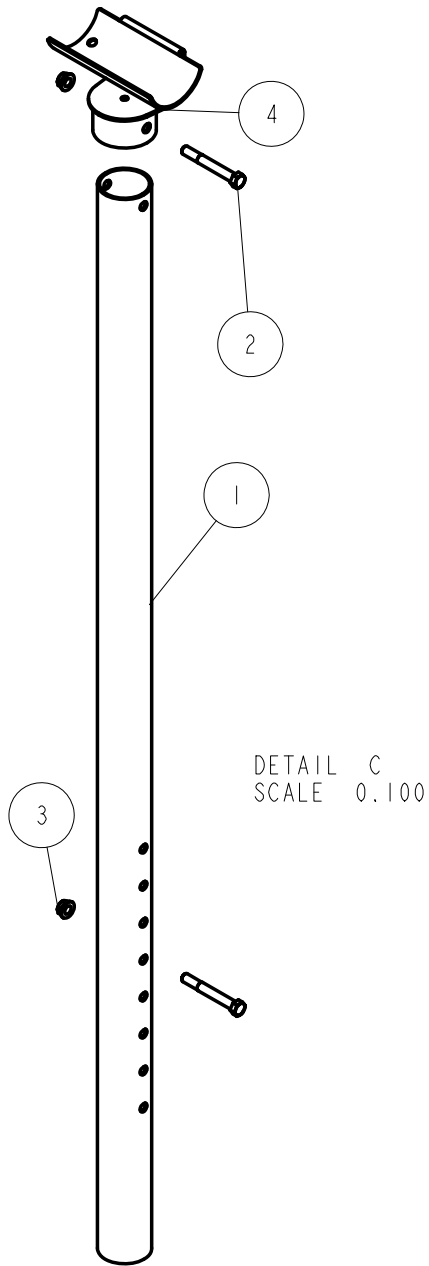
Attach the fourth support cup, A209, as directed above to the 72" canopy leg that is shipped standard with the hoist using a 1/2" x 4" hex bolts and flange lock nuts. This canopy leg is used for mounting the swing arm pendent.

Installation is complete.

### **Adjusting the Canopy for Height**

Your canopy is adjustable for height to give your boat maximum protection from the elements. This is accomplished as follows:

1. Adjust your canopy so it is in its highest position. (Canopy legs fully extended).
2. Carefully raise your boat hoist with the boat on it to its highest position making sure it does not come in contact with the canopy.
3. With the hoist and boat in their highest raised position, the canopy can now be lowered and adjusted to the proper height to best protect your boat. This is accomplished by removing the 1/2" x 4" hex bolt attaching the canopy leg to the hoist upright post. Lower the leg one hole and replace the 1/2" x 4" hex bolt just removed. Lower the other canopy legs an equal amount and check for clearance between the canopy and boat. Repeat this process until the desired height is obtained.

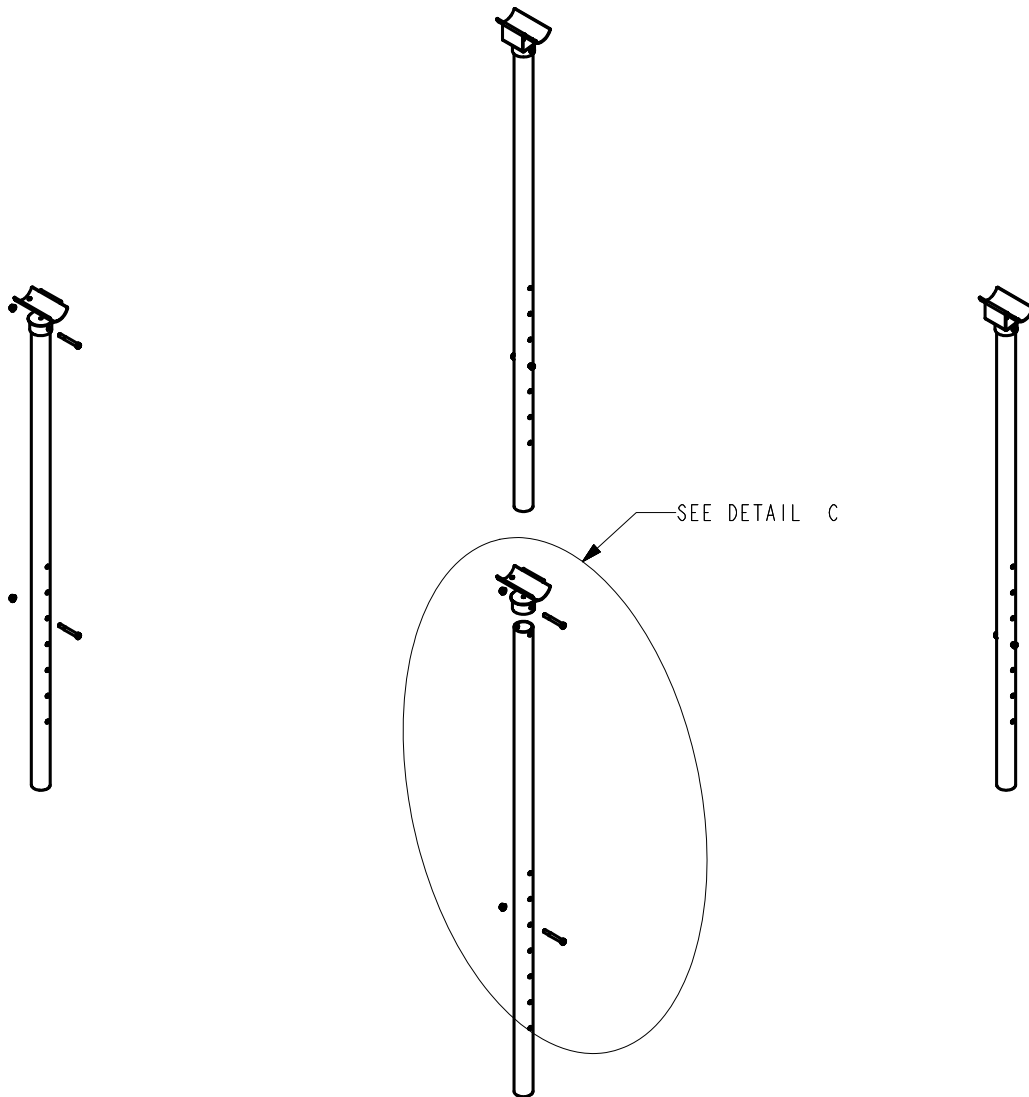


4. When the desired height is achieved, secure the canopy legs to the hoist upright posts by placing the 1/2" hex flange lock nuts on the 1/2" x 4" hex bolts. Tighten. Adjustment is complete.

**Note that a HA0008 Brace Tube Bundle is used in conjunction with the CP72H when installing a CF 34-132 canopy frame.**

BILL OF MATERIALS			
ITEM	PART #	DESCRIPTION	QTY
1	68981	CANOPY EXTENSION LEG 72"	4
2	0110114	HH 1/2-13 X 4 CS GR5	8
3	1440102	HEX LOCKNUT FLANGE 1/2-13 W/T	8
4	A209	SUPPORT CUP WITH 3 1/2 OD TUBE	4

## CP90H



### **Assembly / Installation Instructions:**

Locate the support cups in Bundle No. 68317 and the upright canopy posts in Bundle No. 68992. Attach four of the A209 support cups to four of the 90" canopy legs using 1/2" x 4" hex bolts and flange lock nuts.

Drop a 90" canopy leg with the support cup attached into one of the upright post of the hoist. Position it so that the open side of the curved portion of the support cup just attached is towards the outside of the canopy side frame. This is important because the side pocket of the canopy cover will be drawn around the side frame tube into this area when it is installed. Attach the canopy leg assembly to the upright post with a 1/2" x 4" hex bolt and flange lock nut. Tighten. Repeat this process on the other three upright posts that do not have the swing arm pendent control attached to it.

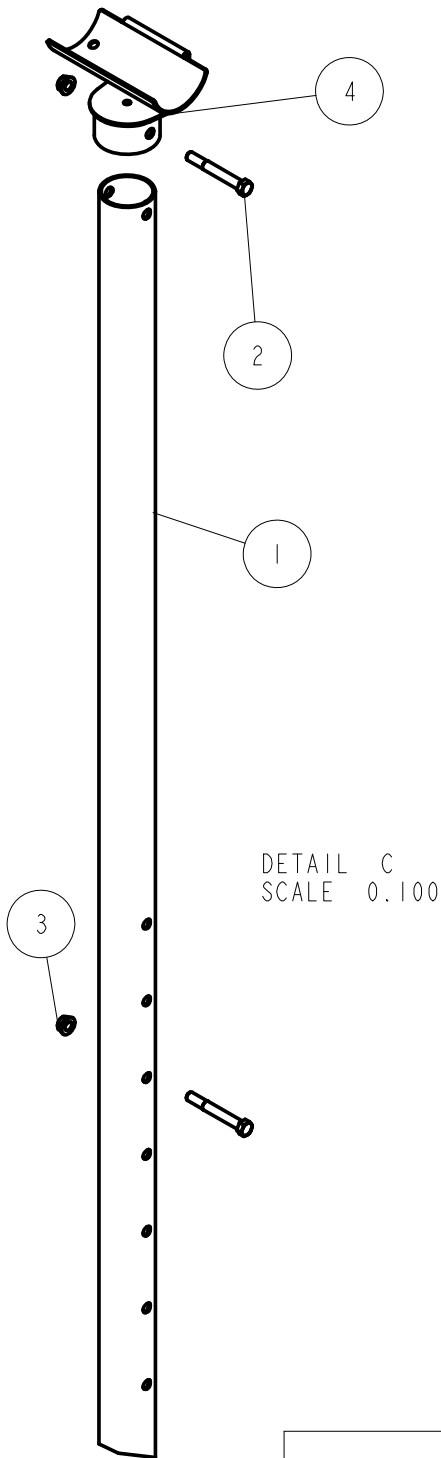
Installation is complete.

### **Adjusting the Canopy for Height**

Your canopy is adjustable for height to give your boat maximum protection from the elements. This is accomplished as follows:

### **Assembly / Installation Instructions:**

1. Adjust your canopy so it is in its highest position. (Canopy legs fully extended).
2. Carefully raise your boat hoist with the boat on it to its highest position making sure it does not come in contact with the canopy.
3. With the hoist and boat in their highest raised position, the canopy can now be lowered and adjusted to the proper height to best protect your boat. This is accomplished by removing the 1/2" x 4" hex bolt attaching the canopy leg to the hoist upright



post. Lower the leg one hole and replace the 1/2" x 4" hex bolt just removed. Lower the other canopy legs an equal amount and check for clearance between the canopy and boat. Repeat this process until the desired height is obtained.

4. When the desired height is achieved, secure the canopy legs to the hoist upright posts by placing the 1/2" hex flange lock nuts on the 1/2" x 4" hex bolts. Tighten.

Adjustment is complete.

**Note:**

**HA0007** Brace Tube Bundle is used in conjunction with the CP90H when installing either a CF30-120 or CF30-132 canopy frames.

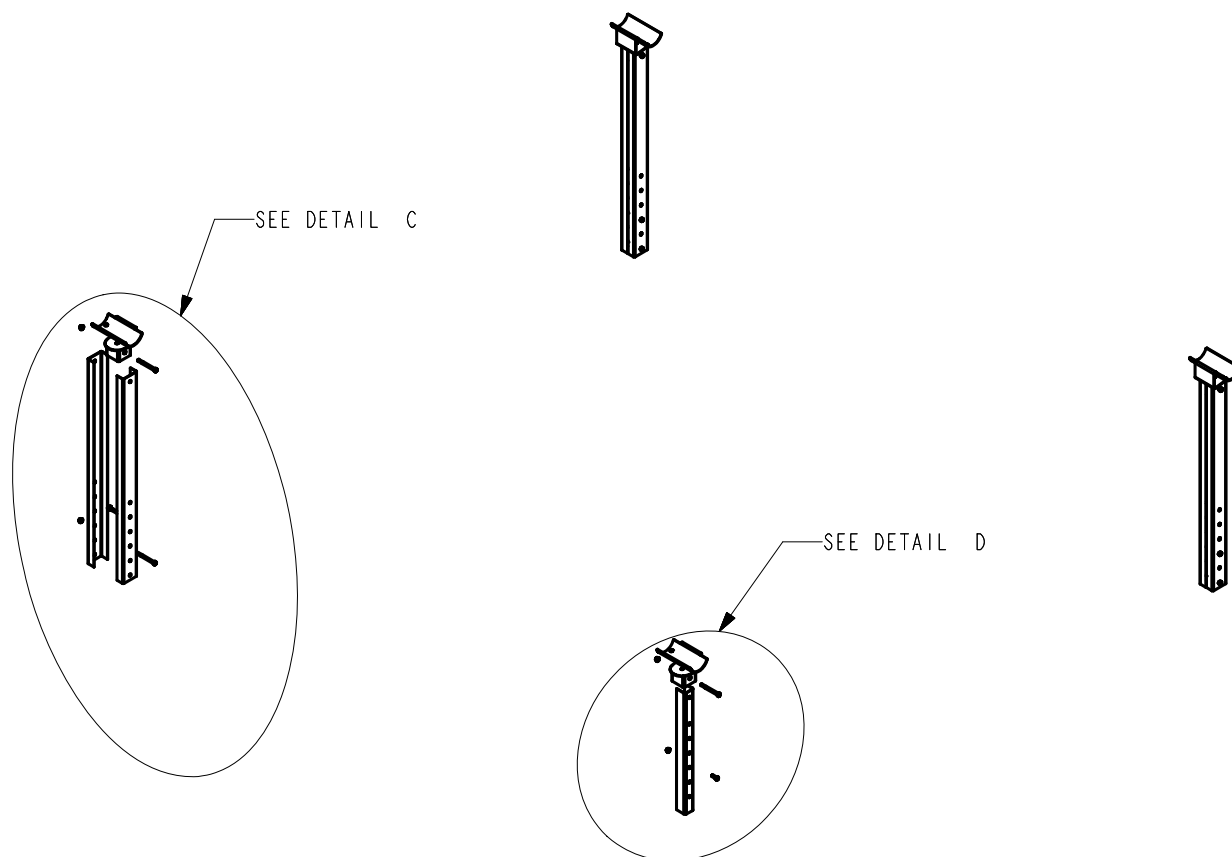
**HA0008** Brace Tube Bundle is used in conjunction with the CP90H when installing a CF34-132 canopy frame.

DETAIL C  
SCALE 0.100

**BILL OF MATERIALS**

ITEM	PART #	DESCRIPTION	QTY
1	68985	ALUM CANOPY LEG 3 OD X 90	4
2	0110114	HH 1/2-13 X 4 CS GR5	8
3	1440102	HEX LOCKNUT FLANGE 1/2-13 W/T	8
4	A209	SUPPORT CUP WITH 3 1/2 OD TUBE	4

## CP42G



**Assembly / Installation Instructions:** Locate the 68320 Support Cup Bundle and the upright Canopy Post Bundle 68328. Break open the bundles and sort all items by size.

Insert the canopy winch post channel into the channel of the winch case. Position at desired height and secure in place with a 3/8" x 1" hex bolt and flange lock nut. Attach one of the support cups into the top end of the channel using a 3/8" x 1" hex bolt and flange lock nut. Position it so that the open side of the curved portion of the support cup just attached is towards the outside of the canopy side frame. This is important because the side pocket of the canopy cover will be drawn around the side frame tube into this area when it is installed. Tighten.

Locate the six remaining long canopy post sections. Note that the remaining canopy posts are built in two identical halves. Place two sections of the canopy upright channels together with the legs of the channels pointing towards each other to form a box. Place a support cup inside the two channels and secure to the two sections with a 3/8" x 4" hex bolt and flange lock nut. Thread the nut on hand tight only until later instructed. Repeat this process on the other sections forming a total of three canopy legs with support cups attached on one end.

Position a canopy leg assembly on the square upright post of the hoist at a height that is comparable to the height that you positioned the winch post leg. Position it so that the open side of the curved portion of the support cup just attached is towards the outside of the canopy side frame. This is important because the side pocket of the canopy cover will be drawn around the side frame tube into this area when it is installed. Place the legs of the canopy leg channels around the upright post and secure in position with 3/8" x 4" hex bolts and flange lock nuts. Repeat on the other two remaining legs. Tighten all bolts left loose to this point.

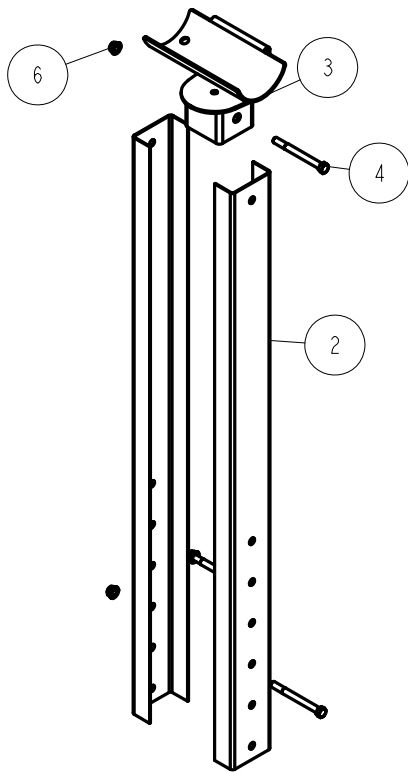
### **Adjusting the Canopy for Height**

Your canopy is adjustable for height to give your boat maximum protection from the elements. This is accomplished as follows:

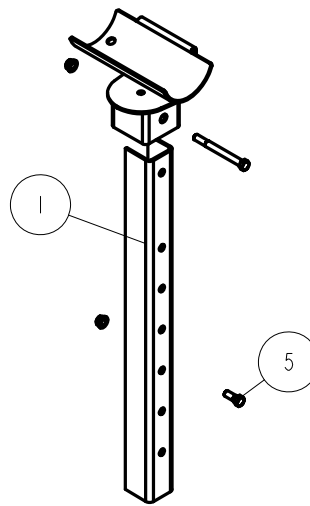
1. Adjust your canopy so it is in its highest position. (Canopy legs fully extended).
2. Carefully raise your boat hoist with the boat on it to its highest position making sure it does not come in contact with the canopy.

3. With the hoist and boat in their highest raised position, the canopy can now be lowered and adjusted to the proper height to best protect your boat. This is accomplished by loosening the 1/2" x 1-1/2" hex bolts and lowering the canopy frame. Re-tighten. Your canopy frame may have to be lowered in several stages rather than all at once depending on how far you have to lower it. Repeat this process on all of the legs until desired height is obtained.

4. When the desired height is achieved, secure the canopy legs to the hoist upright posts by tightening the 1/2" x 1-1/2" hex bolts until tight as a set screw. Adjustment is complete.



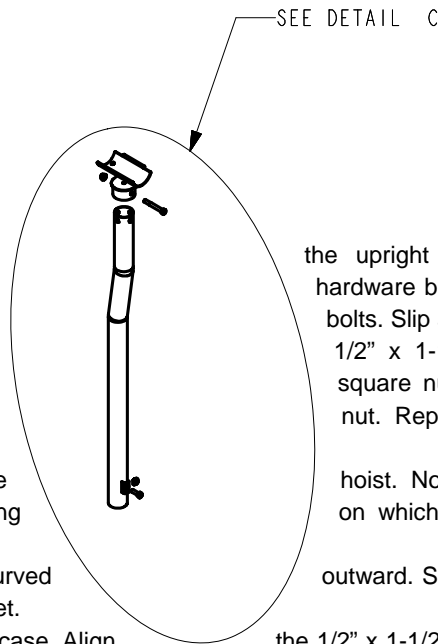
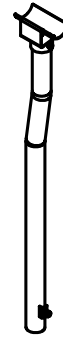
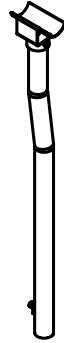
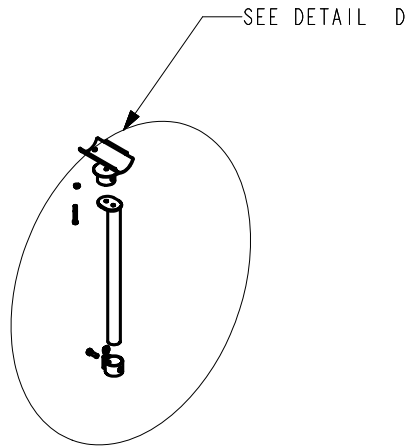
DETAIL D  
SCALE 0.100



DETAIL C  
SCALE 0.100

BILL OF MATERIALS			
ITEM	PART #	DESCRIPTION	QTY
1	64605	WINCH POST CANOPY LEG UNCOATED	1
2	64606	CANOPY LEG SHORT	6
3	64607	SUPPORT CUP WMENT	4
4	0110060	HH 3/8-16 X 4 CS GR5	10
5	0140040	HH 3/8-16 X 1 CS GR5	1
6	1440101	HEX LOCKNUT FLANGE 3/8-16 W/T	11

# CP57G



## Assembly / Installation Instructions:

Locate the support cups in Bundle No. 68319 and 68326. Break open the hardware bag and sort the 1/2" square nuts and 0140094 1/2" x 1-1/2" hex welded to the side of the upright post. Next insert a provided in the pocket, then thread it into the until the end of the bolt is flush with the inside of the A1266 canopy locking ring.

Slip the canopy legs onto the upright posts of the them. They must be positioned as follows depending the canopy.

**SS3698** Rotate the post until the top of the post is curved hand tightening the 1/2" x 1-1/2" hex bolt in the pocket.

Place the canopy lock ring onto the top of the winch case. Align

the 1/2" x 1-1/2" hex bolt in the ring with one of the holes in the winch case post. Drop the winch post canopy leg into the winch case post and rotate so the plate on top matches the offset in the other posts and secure by hand tightening the 1-1/2" bolt in the lock ring.

**SS36110** Rotate the post until the top of the post is curved in line with the upright posts on the hoist. Secure in this position for now by hand tightening the 1/2" x 1-1/2" hex bolt in the pocket.

Place the canopy lock ring onto the top of the winch case. Align the 1/2" x 1-1/2" hex bolt in the ring with one of the holes in the winch case post. Drop the winch post canopy leg into the winch case post, rotate so the plate welded on top matches the offset in the other posts and secure by hand tightening the 1-1/2" bolt in the lock ring.

## SS3698 & SS36110

Place a A209 support cup on the top of one of the canopy post just installed. Position it so that the open side of the curved portion of the support cup just attached is towards the outside of the canopy side frame. This is important because the side pocket of the canopy cover will be drawn around the side frame tube into this area when it is installed. Attach the support cup to the upright post using a 1/2" x 4" hex bolt and flange lock nut. Tighten. Repeat this process on the other upright posts.

Attach the A175 support cup, to the canopy winch post leg by placing a 3/8" x 3" hex bolt up through the hole provided in the plate welded to the end of the canopy winch post leg then up through the hole provided in the support cup lower leg. Secure with a flange lock nut. Do not tighten until the canopy frame has been placed in the support cups for proper alignment.

## Adjusting the Canopy for Height

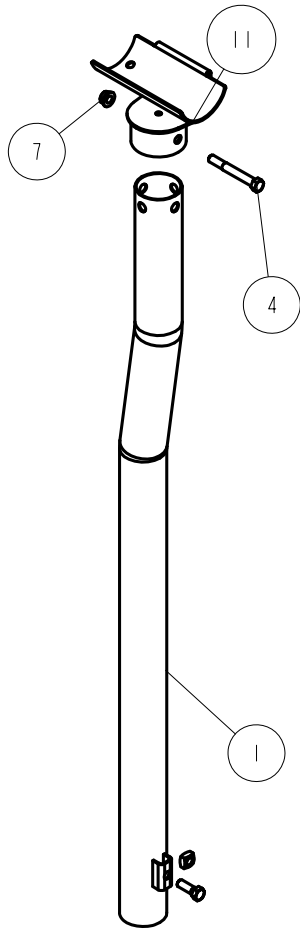
Your canopy is adjustable for height to give your boat maximum protection from the elements. This is accomplished as follows:  
1. Adjust your canopy so it is in its highest position. (Canopy legs fully extended).

the upright canopy posts in Bundle No. hardware by size. Locate the four 1440189 bolts. Slip a 1/2" square nut into the pocket 1/2" x 1-1/2" hex bolt through the hole square nut inside the pocket. Thread in nut. Repeat on the other legs and the

hoist. Note that they have an offset in on which model hoist you are installing

outward. Secure in this position for now by

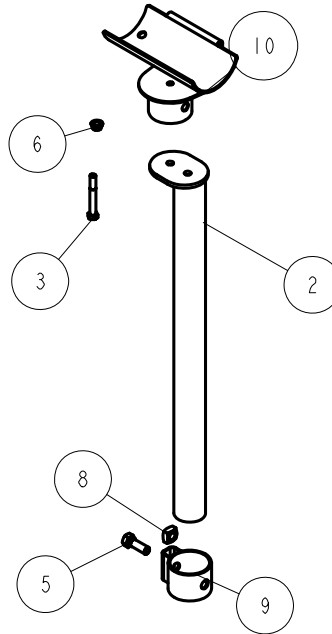
the 1/2" x 1-1/2" hex bolt in the ring with one of



DETAIL C  
SCALE 0.100

2. Carefully raise your boat hoist with the boat on it to its highest position making sure it does not come in contact with the canopy.

3. With the hoist and boat in their highest raised position, the canopy can now be lowered and adjusted to the proper height to best protect your boat. This is accomplished by loosening the 1/2" x 1-1/2" hex bolts and lowering the canopy frame. Re-tighten.



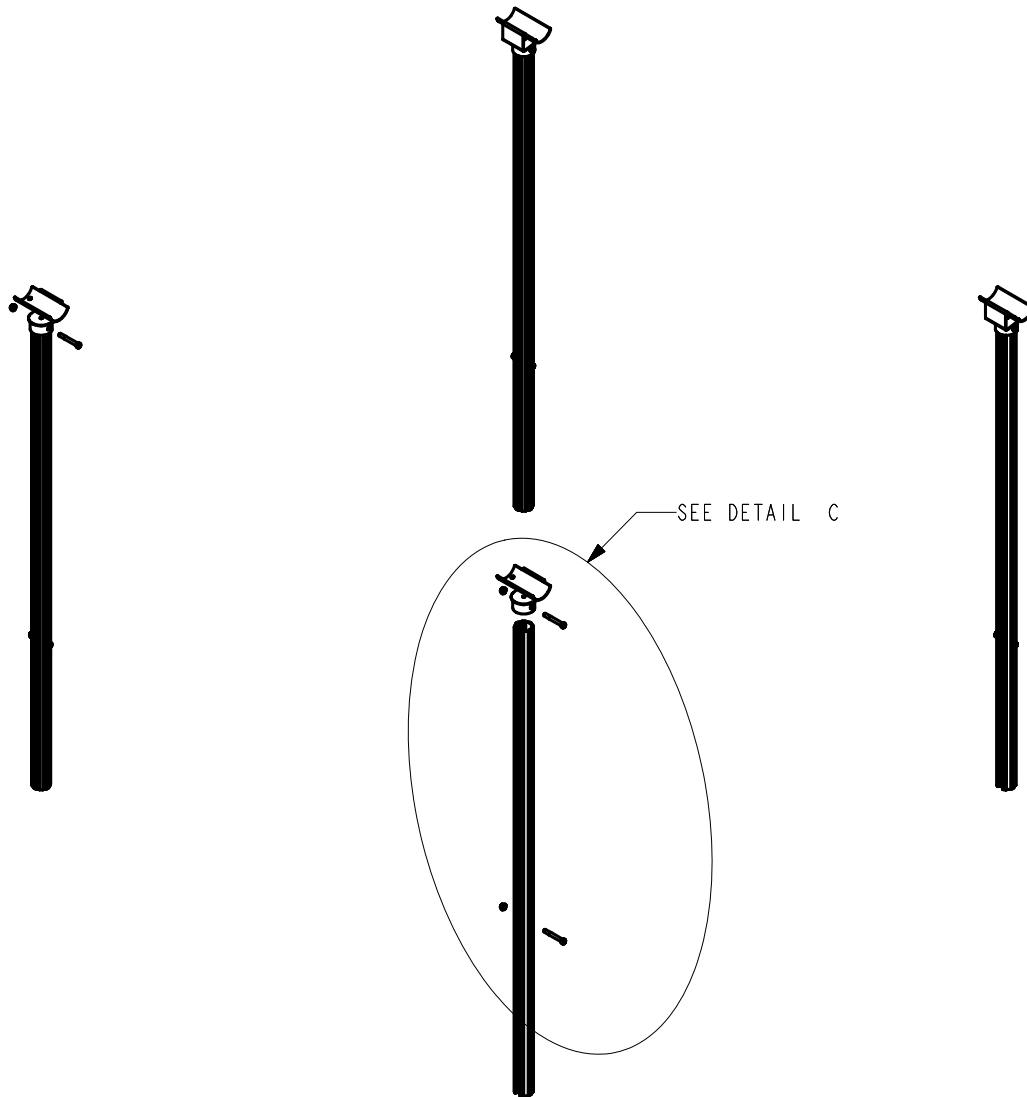
DETAIL D  
SCALE 0.100

BILL OF MATERIALS			
ITEM	PART #	DESCRIPTION	QTY
1	62581	CANOPY STEEL LEG WMENT	3
2	63013	WINCH POST LEG WMENT STEEL	1
3	0110054	HH 3/8-16 X 3 CS GR5	1
4	0110114	HH 1/2-13 X 4 CS GR5	3
5	0140094	HH 1/2-13 X 1 1/2 CS GR5	4
6	1440101	HEX LOCKNUT FLANGE 3/8-16 W/T	1
7	1440102	HEX LOCKNUT FLANGE 1/2-13 W/T	3
8	1440189	NUT REG SQUARE 1/2-13	4
9	A1266	CANOPY LOCK RING 2 3/4OD X 2IN	1
10	A175	SUPPORT CUP WITH 2 3/4OD TUBE	1
11	A209	SUPPORT CUP WITH 3 1/2 OD TUBE	3

Your canopy frame may have to be lowered in several stages rather than all at once depending on how far you have to lower it. Repeat this process on all of the legs until desired height is obtained.

4. When the desired height is achieved, secure the canopy legs to the hoist upright posts by tightening the 1/2" x 1-1/2" hex bolts until tight as a set screw. Adjustment is complete.

## CP90J



### **Assembly /Installation Instructions:**

Locate the support cups in Bundle No. 68317 and the upright canopy posts in Bundle No. 67678. Attach an A209 support cups to all four of the 90" canopy legs using 1/2" x 4" hex bolts and flange lock nuts as follows. The support cup must be positioned so that the open side of the curved portion of the support cup is aligned with and on the same side of the round leg as the extruded groove. This is important because the side pocket of the canopy cover will be drawn around the side frame tube into this area when it is installed.

Insert a 90" canopy leg with the support cup attached into one of the upright post of the hoist. Align the groove in the canopy post with the adjusting cable that is on the inside of the upright post. This will also position the support cup so that the open side of the curved portion of the support cup just attached is towards the outside of the canopy side frame as required. Attach the canopy leg assembly to the upright post with a 1/2" x 4" hex bolt and flange lock nut. Tighten.

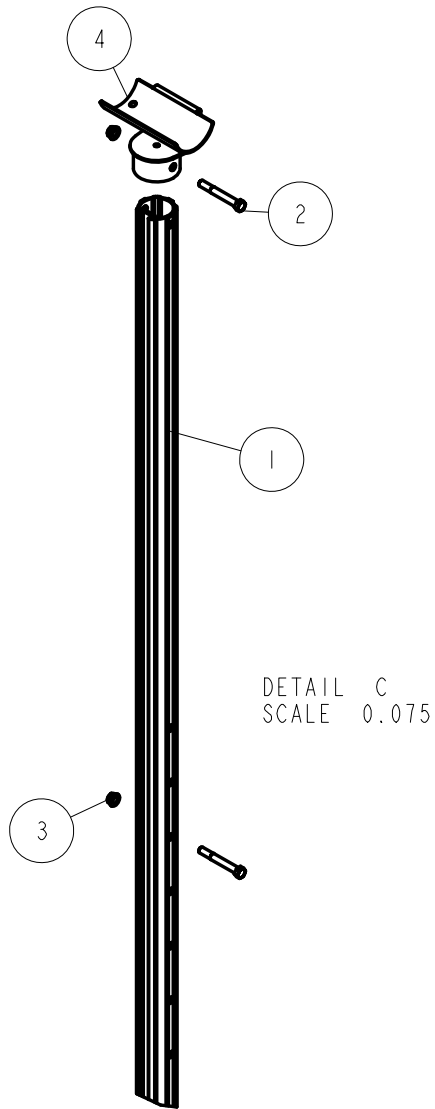
Repeat this process on the remaining upright posts.

Installation is complete.

### **Adjusting the Canopy for Height**

Your canopy is adjustable for height to give your boat maximum protection from the elements. This is accomplished as follows:

1. Adjust your canopy so it is in its highest position. (Canopy legs fully extended).
2. Carefully raise your boat hoist with the boat on it to its highest position making sure it does not come in contact with the canopy.



3. With the hoist and boat in their highest raised position, the canopy can now be lowered and adjusted to the proper height to best protect your boat. This is accomplished by removing the 1/2" x 4" hex bolt attaching the canopy leg to the hoist upright post. Lower the leg one hole and replace the 1/2" x 4" hex bolt just removed. Lower the other canopy legs an equal amount and check for clearance between the canopy and boat. Repeat this process until the desired height is obtained.
4. When the desired height is achieved, secure the canopy legs to the hoist upright posts by placing the 1/2" hex flange lock nuts on the 1/2" x 4" hex bolts. Tighten.

Adjustment is complete.

**NOTE:**

**HA0008** Brace Tube Bundle is used in conjunction with the CP90J when installing a CF36-144 canopy frame. The CF40-144 canopy frame requires two HA0008 Brace Tube Bundles, one on each end of the hoist.

ITEM	PART #	DESCRIPTION	QTY	NOTE
1	68987	CANOPY LEG ADJUSTABLE 90 IN	4	
2	0110114	HH 1/2-13 X 4 CS GR5	8	
3	1440102	HEX LOCKNUT FLANGE 1/2-13 W/T	8	
4	A209	SUPPORT CUP WITH 3 1/2 OD TUBE	4	