

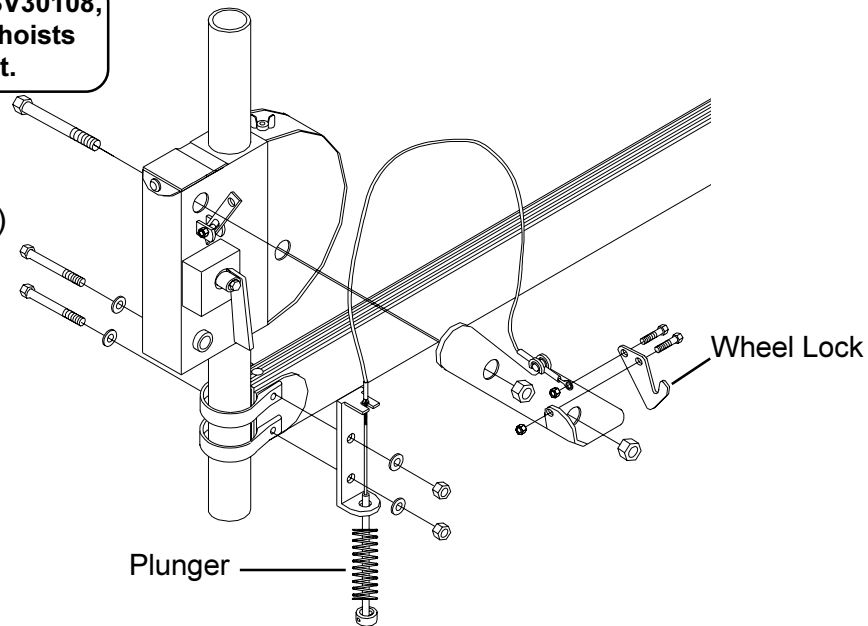
ShoreStation®

BOAT HOISTS

Wheel Stop for 1500, 2000, 3000 & 4000 lb. Hoists

SSV15100, SSV20100, SSV30108,
SSV30120 & SSPV30120 hoists
will take this 5/8" hex bolt.

Secure the wheel stop assembly to the two (2) existing 3/8" X 3-3/4" hex bolts, 3/8" flat washers and 3/8" flange lock nuts. Refer to parts drawing for proper placement.



Your new **Shore Station** winch is equipped with an automatic self-engaging wheel lock that is designed to keep the operator from over cranking the winch. It is a protection device that will save the operator from causing damage to the unit by over cranking. It is a normal tendency for the operator to want to make sure that the hoist platform is raised to its maximum lifting height. As a result the operator will continue to raise the hoist platform until it starts to turn hard. This happens only when the hoist lifting mechanism is exposed to tremendous internal loads because of the over cranking.

To prevent this from happening **Shore Station** has developed the wheel lock mechanism that will automatically lock the wheel from being raised when the platform has been fully raised but not fully exposed to the internal loads just mentioned above. As the platform reaches its raised position it will engage with the plunger of the wheel lock causing the wheel lock to rotate itself into the spokes behind the center section of the wheel. It will continue to move into the spokes of the wheel until such time the wheel can no longer be turned clockwise or raised. The wheel can be turned counterclockwise to disengage the wheel lock. Turning the wheel counterclockwise will lower the platform.

Make sure that you follow the installation instructions supplied with your wheel lock. If it does not lock your wheel when the platform is totally raised, contact your dealer for assistance.