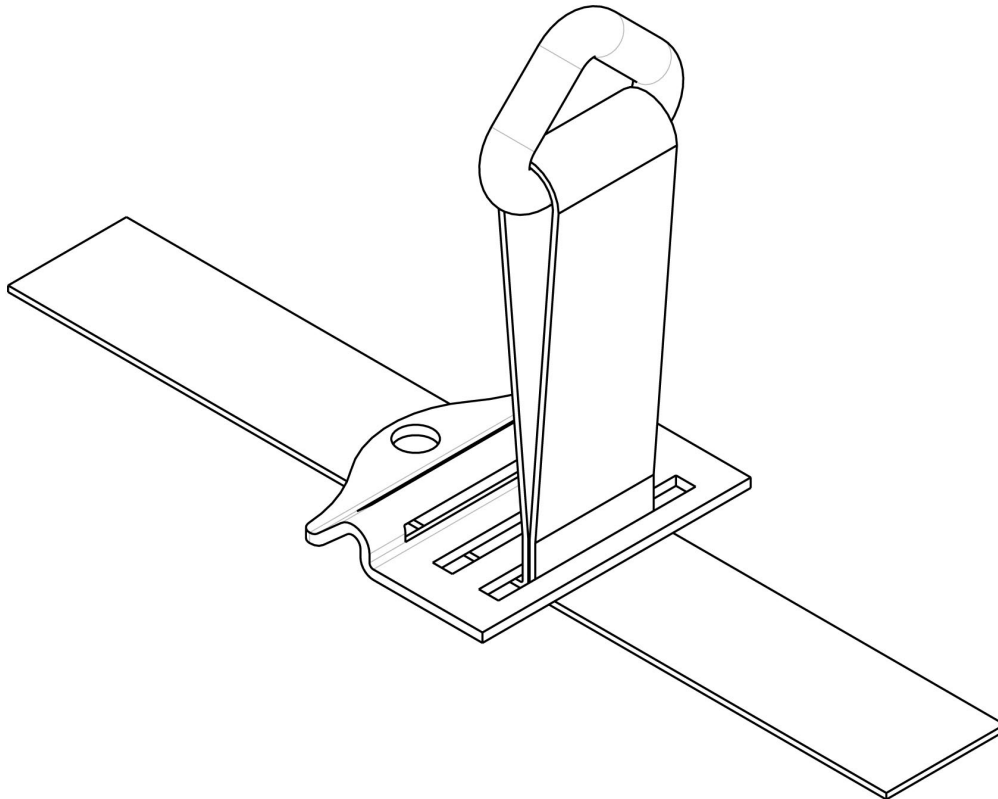


Canopy Strap Adjustment



The new canopy strap does not have the buckle sewn in a positive position but rather is attached so it is adjustable to fit your needs. It can be moved forward or backward on the strap so that any excess strapping material may be absorbed into the loop formed on each end of the strap.

Adjust the position of the buckle as follows:

1. While holding the buckle in one hand push the nylon strap backwards in the buckle slot. Doing so will loosen the strap around the D-ring hold the buckle in place. Once the strap is loose the strap can be slipped either one way or the other around the D-ring causing the buckle to be moved on the strap it is attached to.
2. Position the buckle forward or backward on the strap until the desired position is obtained. At that point pull the strap around the D-ring back through the buckle until it is tight. This position will hold the buckle in that position until a change is desired. Adjustment is complete.