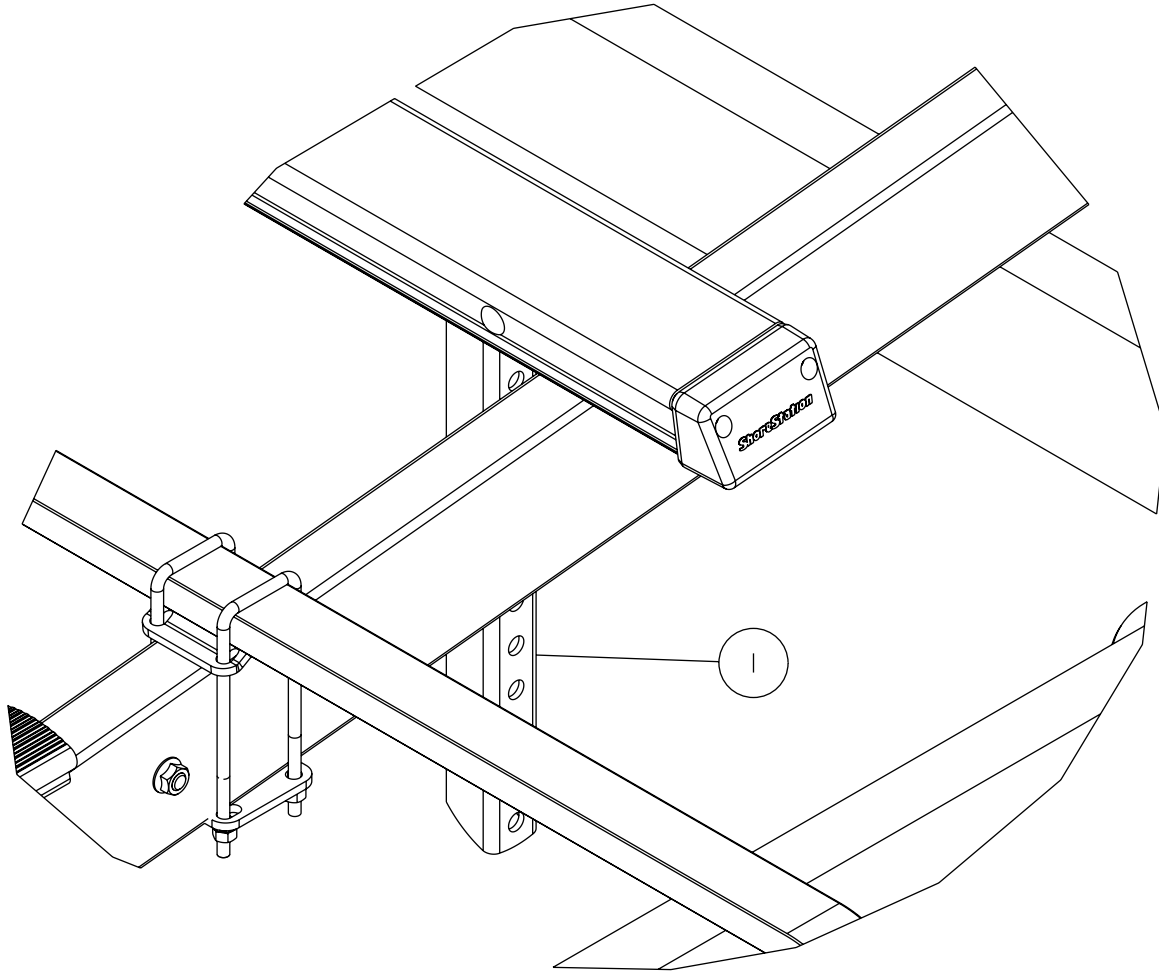


HA0056 Adjustable Bunk Bracket Kit (Set of 4)



ITEM	PART #	DESCRIPTION	QTY	NOTE
1	69148	ADJ BUNK BRKT(BOAT LIFT)	4	

Mounting Instructions:

Remove parts from bag.

Remove the 3/8" flange lock nuts and 3/8" x 1" hex bolts that hold the bunk to the top of the adjustable bracket and lay bunk off to the side. Loosen the 1/2" hex nuts and remove them and the lock washers. Repeat on other end. Remove adjustable bracket and replace with the new adjustable bunk bracket. Replace the lock washers and hex nuts. Repeat on the other end. Mount the bunk back on top

of the bracket using the 3/8 x 1 hex bolts and flange lock nuts.

Repeat steps on other side of hoist. Make necessary height and width adjustments now. Tighten all fasteners.