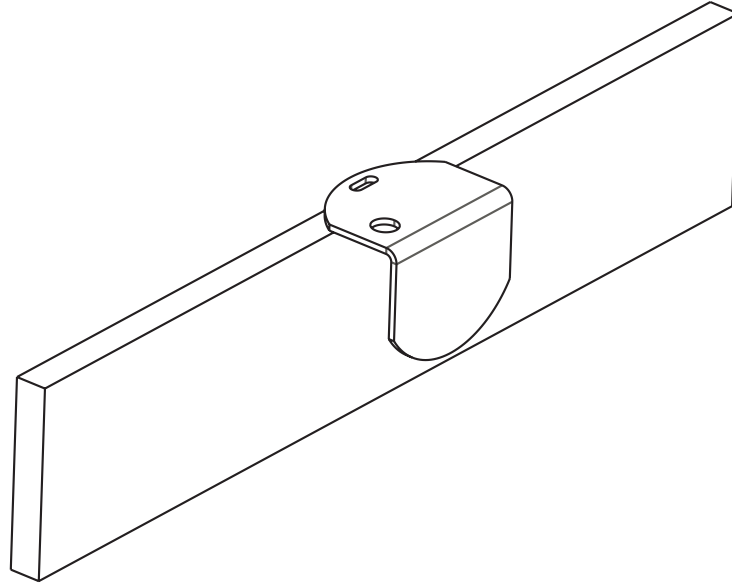
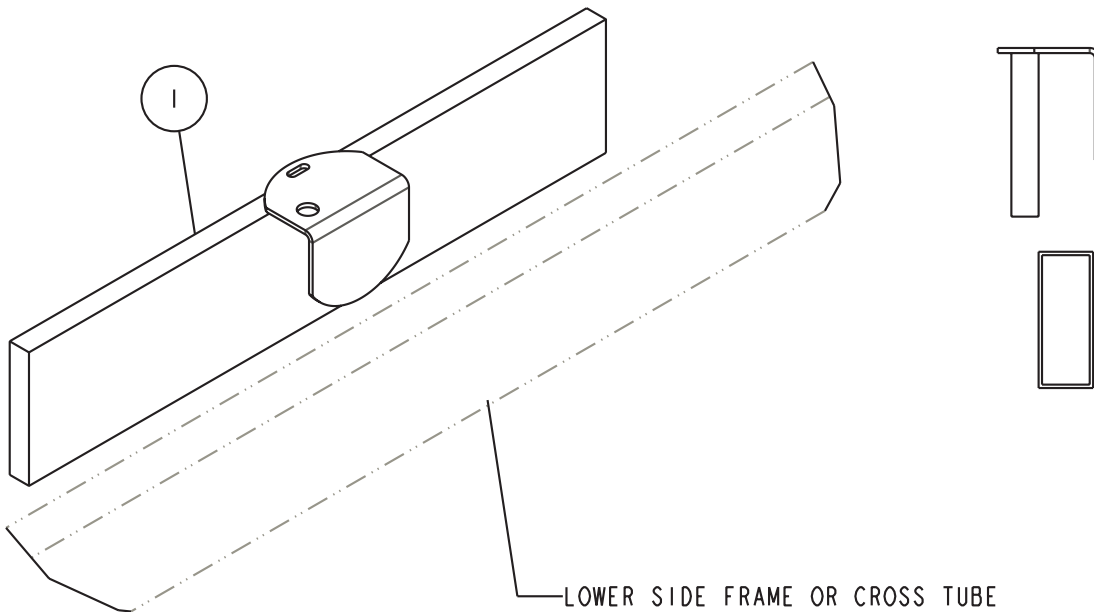


HA0059-03 Hoist Weight



ITEM	PART #	DESCRIPTION	QTY	NOTE
1	67254	HOIST WEIGHT WMENT	1	



Introduction and Assembly Instructions on Page 2.

The **HA0059-03** hoist weights are designed to fit the lower frames of all aluminum mechanical winch style hoists 1500-6000 lb as well as all sizes of aluminum hydraulic boat hoists. The weights are a means of adding additional weight to the aluminum hoists when they are installed in windy locations, especially when the hoist is equipped with a canopy. Adding the weights will help stabilize the hoists to keep them from moving when the boat is removed from the hoist during windy conditions. They can be added to either the side frames or the cross frames of the hoist. Always attach the weights on the outside of the lower frames to prevent them from interfering with the raising and lowering of the hoist platform.

INSTALLATION

Determine which side or end of the hoist the additional weight will be added. Adding the weight to the end or side of the hoist that the wind usually blows from will help stabilize it the most. It is possible to add two weights to each side frame and each cross frame of the hoist.

Place the weight into position on the outside of the lower frame. Connect the weight to the lower frame by placing the weight hangar bracket over the lower frame, then dropping into place. Two weights can be added to the cross frames or the side frames if required.

Secure weights to the lower frame using a strapping device (zip ties, hose clamp or banding) through the slotted hole on the weights.

NOTE: THE WEIGHTS MUST BE ADDED TO THE OUTSIDE OF THE CROSS FRAMES TO KEEP THEM FROM INTERFERING WITH THE RAISING AND LOWERING OF THE HOIST PLATFORM.

Installation is complete.