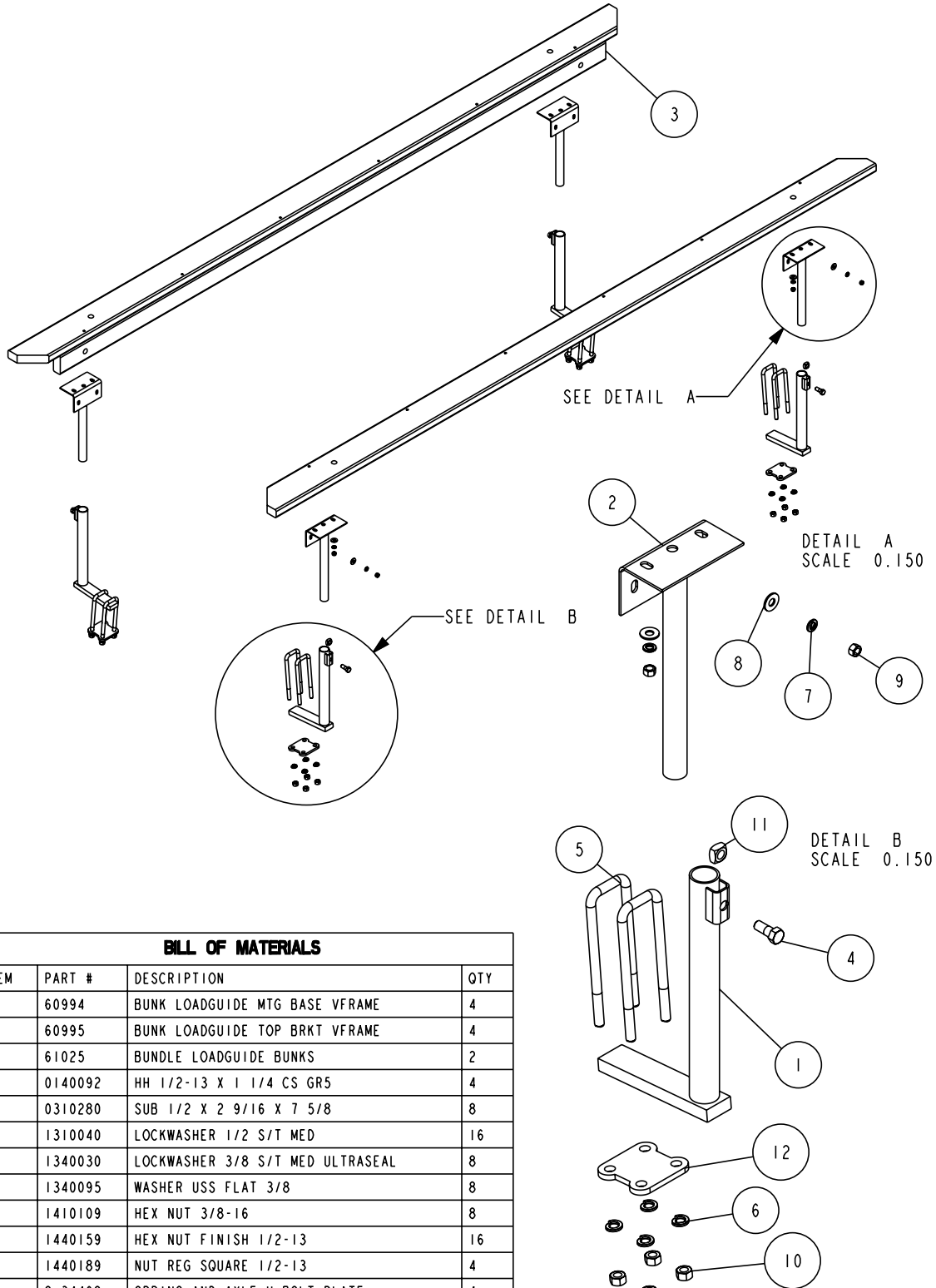


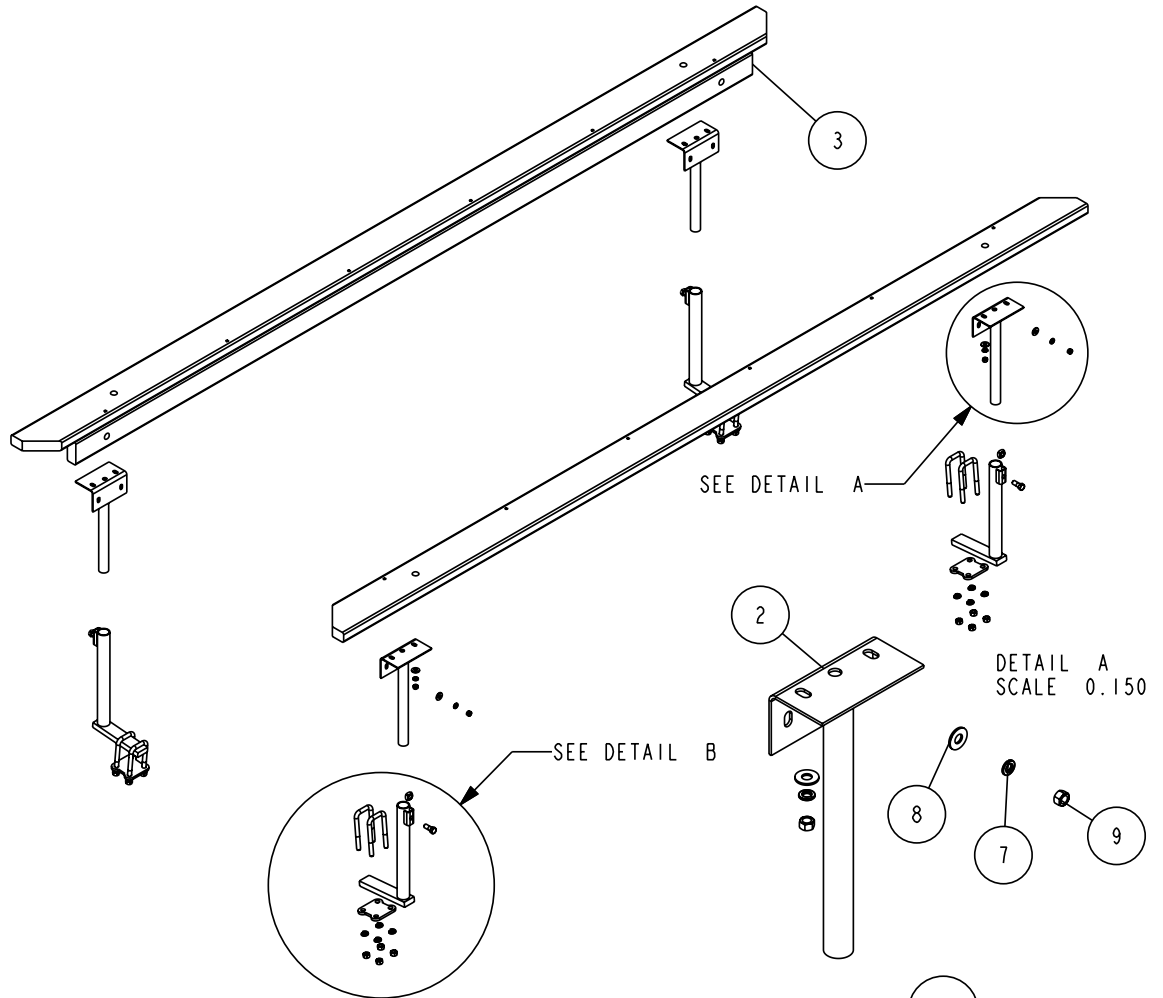
SSBV V-Frame Bunk Loadguide for Aluminum Hoists



BILL OF MATERIALS			
ITEM	PART #	DESCRIPTION	QTY
1	60994	BUNK LOADGUIDE MTG BASE VFRAME	4
2	60995	BUNK LOADGUIDE TOP BRKT VFRAME	4
3	61025	BUNDLE LOADGUIDE BUNKS	2
4	0140092	HH 1/2-13 X 1 1/4 CS GR5	4
5	0310280	SUB 1/2 X 2 9/16 X 7 5/8	8
6	1310040	LOCKWASHER 1/2 S/T MED	16
7	1340030	LOCKWASHER 3/8 S/T MED ULTRASEAL	8
8	1340095	WASHER USS FLAT 3/8	8
9	1410109	HEX NUT 3/8-16	8
10	1440159	HEX NUT FINISH 1/2-13	16
11	1440189	NUT REG SQUARE 1/2-13	4
12	S-34496	SPRING AND AXLE U-BOLT PLATE	4

SSBV20

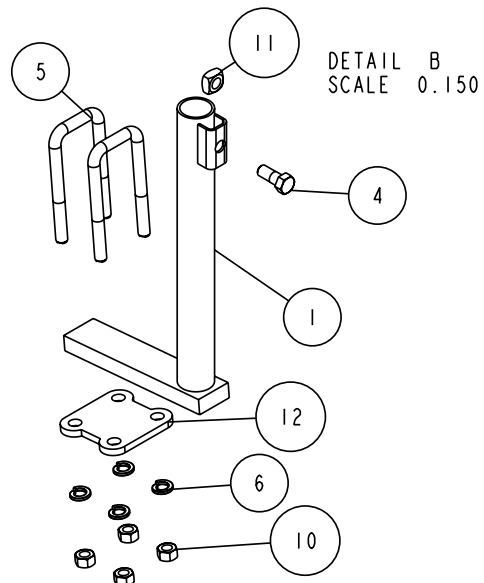
V-Frame Bunk Loadguide for the SSV20100



DETAIL A
SCALE 0.150

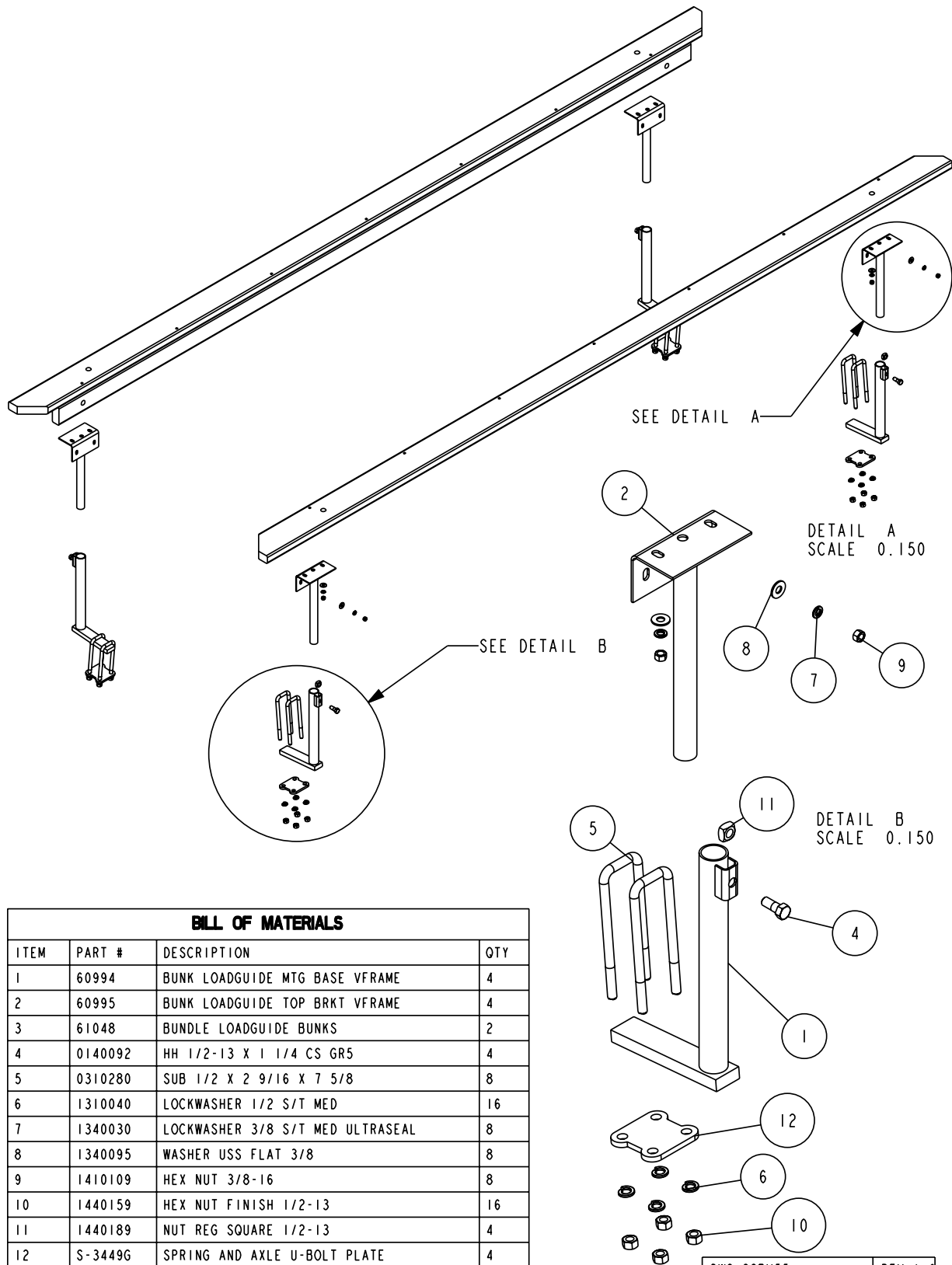
DETAIL B
SCALE 0.150

BILL OF MATERIALS			
ITEM	PART #	DESCRIPTION	QTY
1	60994	BUNK LOADGUIDE MTG BASE VFRAME	4
2	60995	BUNK LOADGUIDE TOP BRKT VFRAME	4
3	61025	BUNDLE LOADGUIDE BUNKS	2
4	0140092	HH 1/2-13 X 1 1/4 CS GR5	4
5	0310222	SUB 1/2 X 2 9/16 X 5	8
6	1310040	LOCKWASHER 1/2 S/T MED	16
7	1340030	LOCKWASHER 3/8 S/T MED ULTRASEAL	8
8	1340095	WASHER USS FLAT 3/8	8
9	1410109	HEX NUT 3/8-16	8
10	1440159	HEX NUT FINISH 1/2-13	16
11	1440189	NUT REG SQUARE 1/2-13	4
12	S-3449G	SPRING AND AXLE U-BOLT PLATE	4



SSBV55

V-Frame Bunk Loadguide for the SSV50120 & SSV60132



BILL OF MATERIALS			
ITEM	PART #	DESCRIPTION	QTY
1	60994	BUNK LOADGUIDE MTG BASE VFRAME	4
2	60995	BUNK LOADGUIDE TOP BRKT VFRAME	4
3	61048	BUNDLE LOADGUIDE BUNKS	2
4	0140092	HH 1/2-13 X 1 1/4 CS GR5	4
5	0310280	SUB 1/2 X 2 9/16 X 7 5/8	8
6	1310040	LOCKWASHER 1/2 S/T MED	16
7	1340030	LOCKWASHER 3/8 S/T MED ULTRASEAL	8
8	1340095	WASHER USS FLAT 3/8	8
9	1410109	HEX NUT 3/8-16	8
10	1440159	HEX NUT FINISH 1/2-13	16
11	1440189	NUT REG SQUARE 1/2-13	4
12	S-3449G	SPRING AND AXLE U-BOLT PLATE	4

Assembly Instructions:

Remove the hardware and sort by size. Install the 1/2" square nuts into the nut pockets on the four (4) upright bases and secure with the 1/2" X 1-1/4" hex bolts.

Determine a location on the v-platform to mount your SSBV, SSBV20 or SSBV55. Mount the base to the v-platform using two (2) 1/2" square u-bolts, one (1) base plate and four (4) 1/2" flange lock nuts. Tighten the 1/2" u-bolts enough so that the upright base does not slide on the v-platform. Repeat on all four (4) corners.

Place the carpeted bunk guides on the hoist platform. Mount the upper bunk bracket to the bunk with the two (2) 3/8" bolts installed in the bunk wood before it was carpeted. Note the brackets are made universal so that there is no front or back, right or left. It is important

that you install the upper brackets as shown so that they will be spaced the same distance apart as the upright bases installed on the v-platforms. Repeat this procedure on the other end of the bunk. Tighten all fasteners.

Raise the assembled unit above the upright bases installed on the v-platforms. Insert the upper bracket inside the upright base on both ends. Note: Bunks may be adjusted up or down for height to best fit your boat. Secure in place with the 1/2" X 1-1/4" hex bolt installed in the nut pockets. Tighten when desired height is obtained.

The bunks may also be adjusted in and out for width by loosening the u-bolts. Once the bunks are in the desired position, tighten the u-bolts. The assembly is complete.

The bunk loadguide may also be used as walkway for entering your boat.