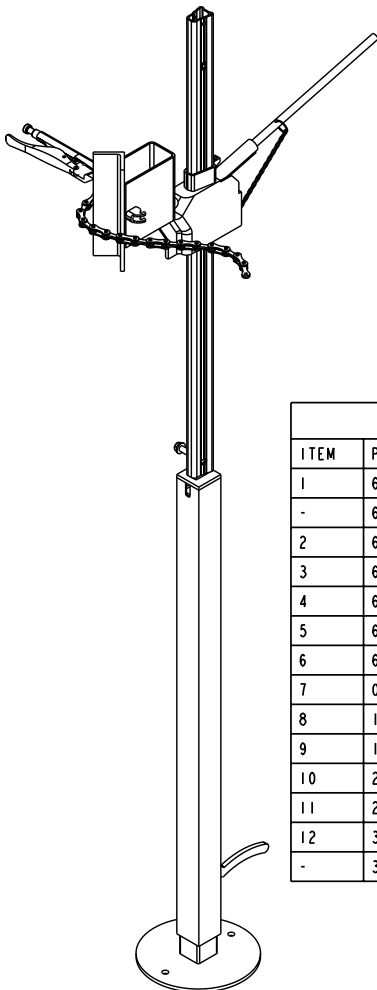
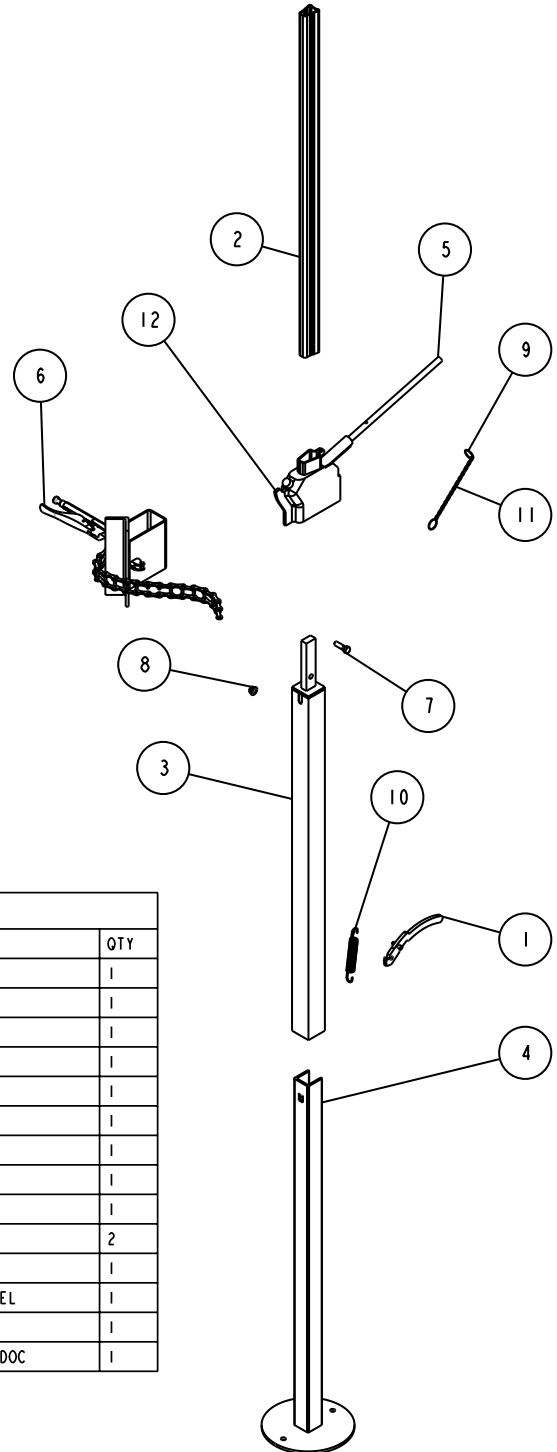


Remove boat from hoist.
Adjust only one (1) leg at a time.
Raise the hoist to the desired height
with the SSHJ and adjust the leg to

the desired height.
Wrap chain around guide post and
secure. Using jack handle raise and
lower the hoist to the desired height.

SSHJ Hoist Jack



BILL OF MATERIALS			
ITEM	PART #	DESCRIPTION	QTY
1	65135	CAM LEVER	1
-	65895	ROPE 8FT FOR ADJ LEG	1
2	66255	LEG TUBE HOIST JACK	1
3	66256	BOTTOM WELDMENT HOIST JACK	1
4	66257	LEG WELDMENT HOIST JACK	1
5	67233	JACK HANDLE	1
6	67299	HOIST JACK CLAMP WMENT	1
7	0110037	HH 3/8-16 X 1 1/4 CS GR5	1
8	1440101	FLANGE LOCKNUT SMALL 3/8-16	1
9	1710016	SPLIT RING .932 ID	2
10	2121223	SPRING DOCK CAM LEVER	1
11	2210295	CHAIN #35 SASH STAINLESS STEEL	1
12	3210094	JACK HEAD	1
-	3510570	LATCH HANDLE PLASTIC COVER - DOC	1

DWG: SSHJ REV: 1.5