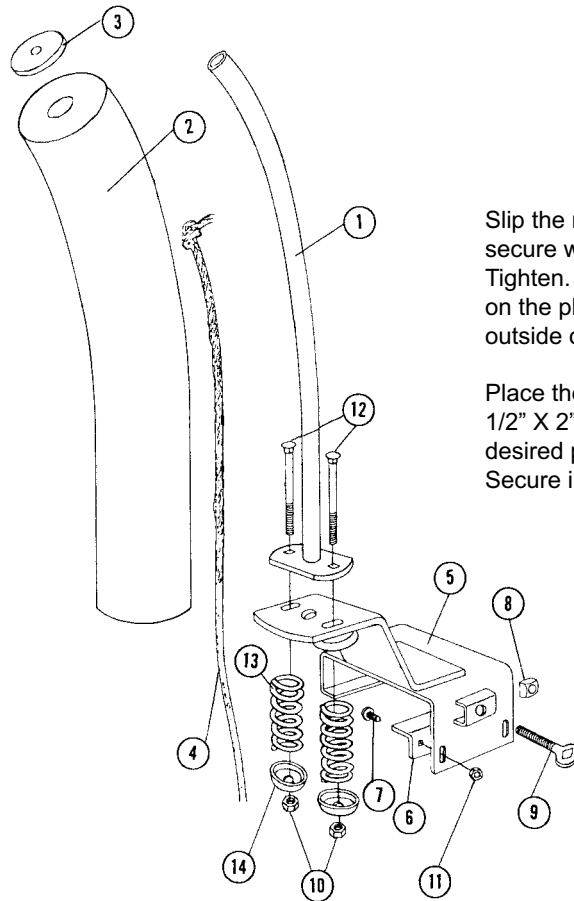


SSN36 Centering Device (4 per set)



Assembly Instructions

Slip the mounting bracket over the wood platform and secure with angle brackets and 5/16" X 1" carriage bolts. Tighten. (NOTE: The centering devices should be placed on the platform so that the polyethylene guides curve to the outside on top.)

Place the 1/2" square nut into the pocket and thread in the 1/2" X 2" thumb screw. Slide the centering devices into the desired position on the platform to support your boat. Secure in place by tightening the thumb screws.

REF#	PART#	DESCRIPTION	WT.	NO. REQ.
1	B1327	POLYETHYLENE GUIDE POST	2 LBS. ...	4
2	3510005	POLYETHYLENE GUIDE	2 OZ.	4
3	3510012	PLASTIC WASHER	1 OZ.	4
4	3910110	1/4" SECURING ROPE (SS1121)	2 OZ.	4
5	B1326	MTG BRACKET-STEEL BASE	6 LBS. ...	4
6	B1311	ANGLE BRACKET CLAMP	8 OZ.	4
7	0210055	5/16" X 1" CARRIAGE BOLT - SS	1 OZ.	8
8	1440189	1/2" SQUARE NUT	1 OZ.	4
9	0910055	1/2" X 2" THUMB SCREW	2 OZ.	4
10	1410109	3/8" HEX NUT	1 OZ.	8
11	1410069	5/16" HEX NUT	1 OZ.	8
12	0210135	3/8" X 4-1/2" CARRIAGE BOLT	3 OZ.	8
13	2110501	GUIDE POST SPRING	1.5 LBS. 8	
14	B1325	SPRING CUP	4 OZ.	8
--	1310085	5/16" USS FLAT WASHER	N/A	8