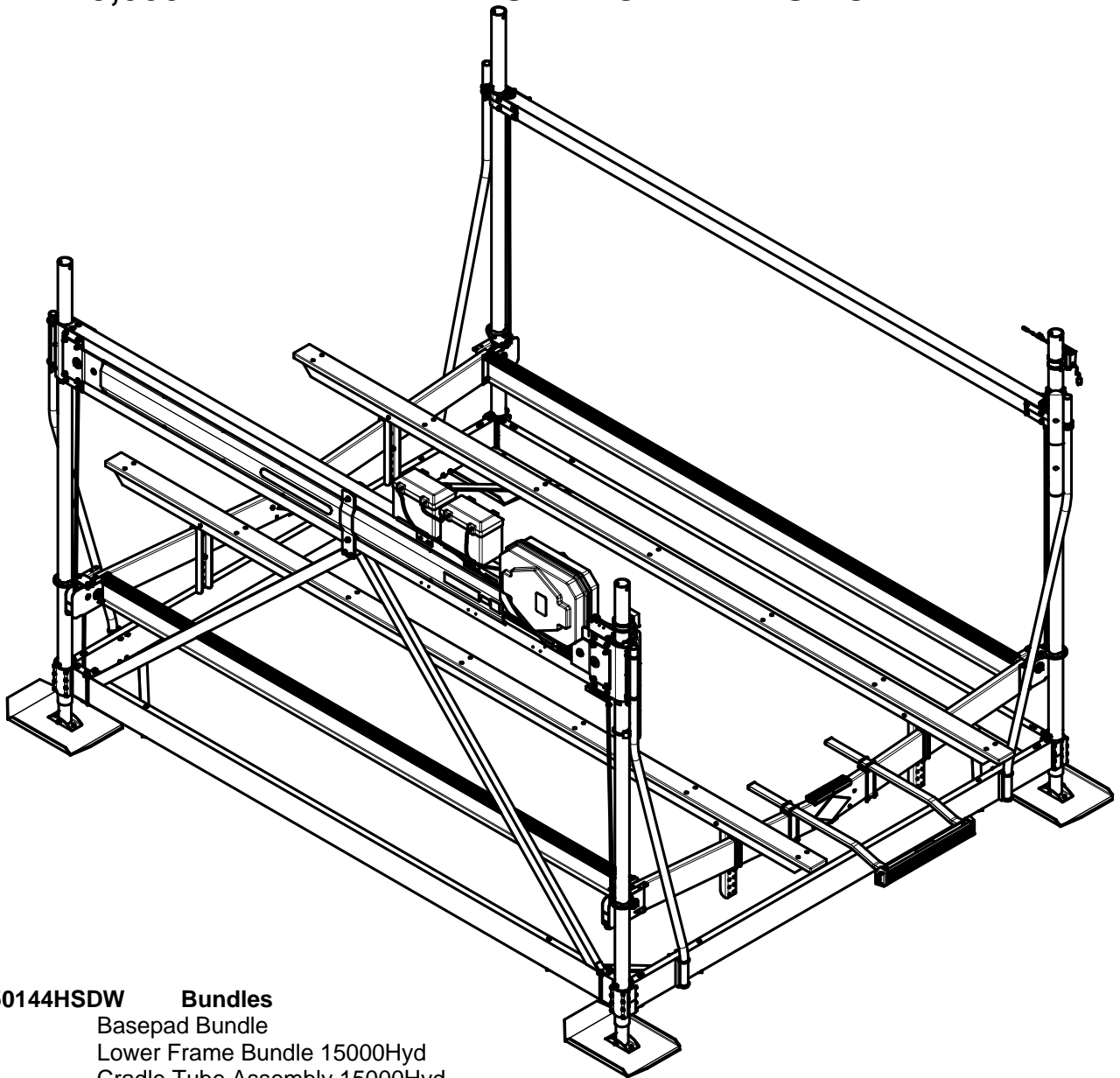


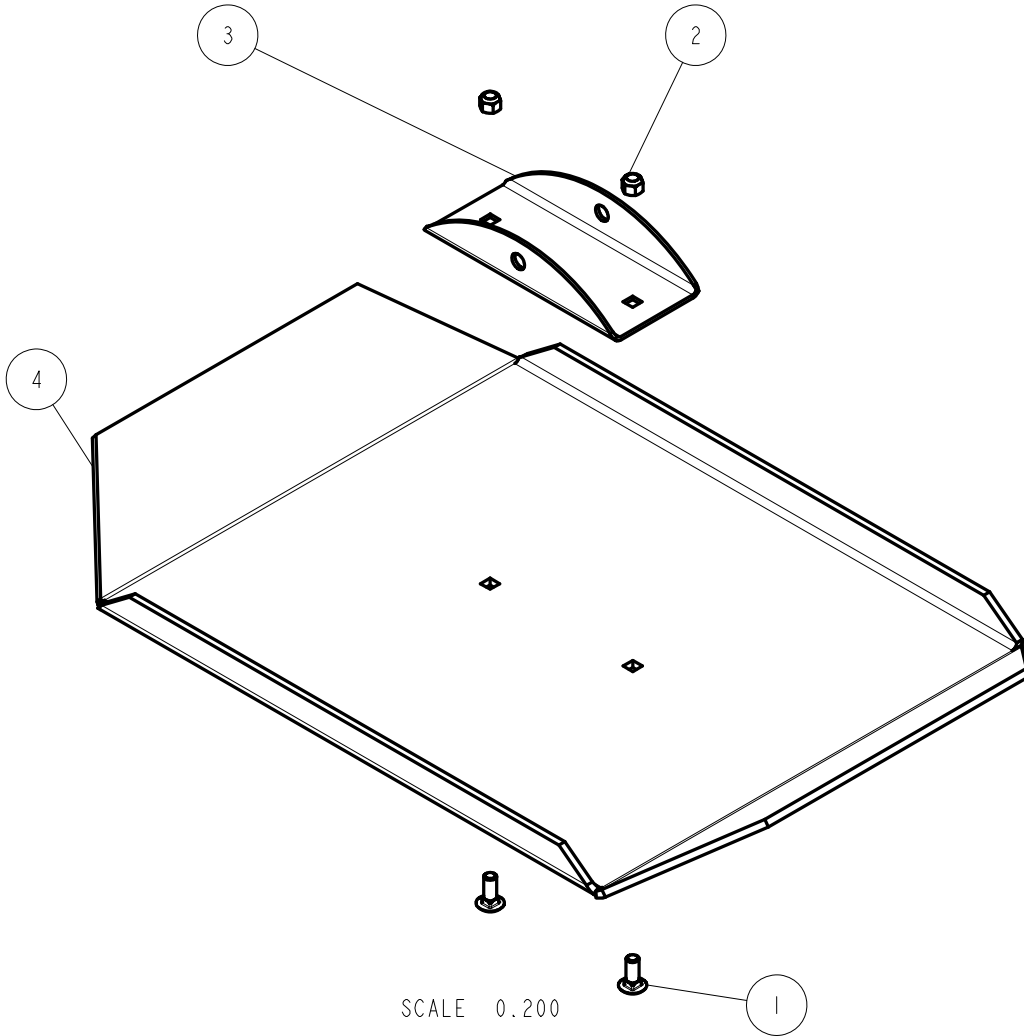
SSV150144HSDW 15,000 LB 144 WIDE 24VOLT DC HYDRAULIC LIFT

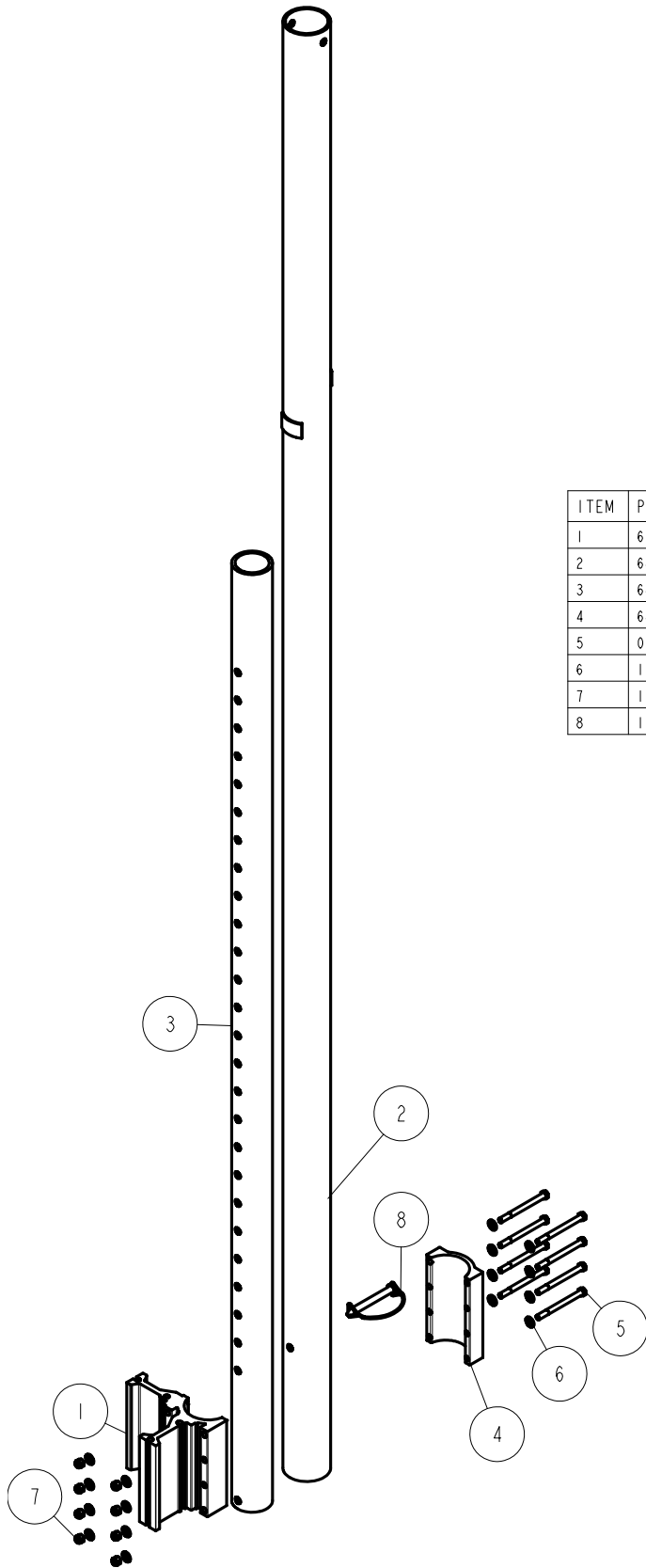


SSV150144HSDW	Bundles
62513	Basepad Bundle
67460	Lower Frame Bundle 15000Hyd
67474	Cradle Tube Assembly 15000Hyd
67492	Brace/Platform Spacer Bundle
67498	Brace Tube Bundle 15000Hyd
68395	Leg Bundle Winch Side 15000Hyd
68396	Leg Bundle Brace Side 15000Hyd
70094	Hyd Lift Tube Assy 150144Hyd
70099	Cover DC & Hardware
70114	Guide Post Brace Tube Bundle
70269	HDWE Box SSV150144HSDW
70420	Bunk Bundle 15000HSDW
70623	Pump Assy 24V HDWE Box 2010
HA0084	Battery Tender 24 Volt & HDWE
HA0095	Motor Stop Bundle 8" V-Frame SS
HA0109	Battery Box & Brkt Hyd Winch Tube
SS1227	Hoist Corner Bumper Kit Long

Note; All kits have assembly instructions, adjustment information, and parts information included with them.

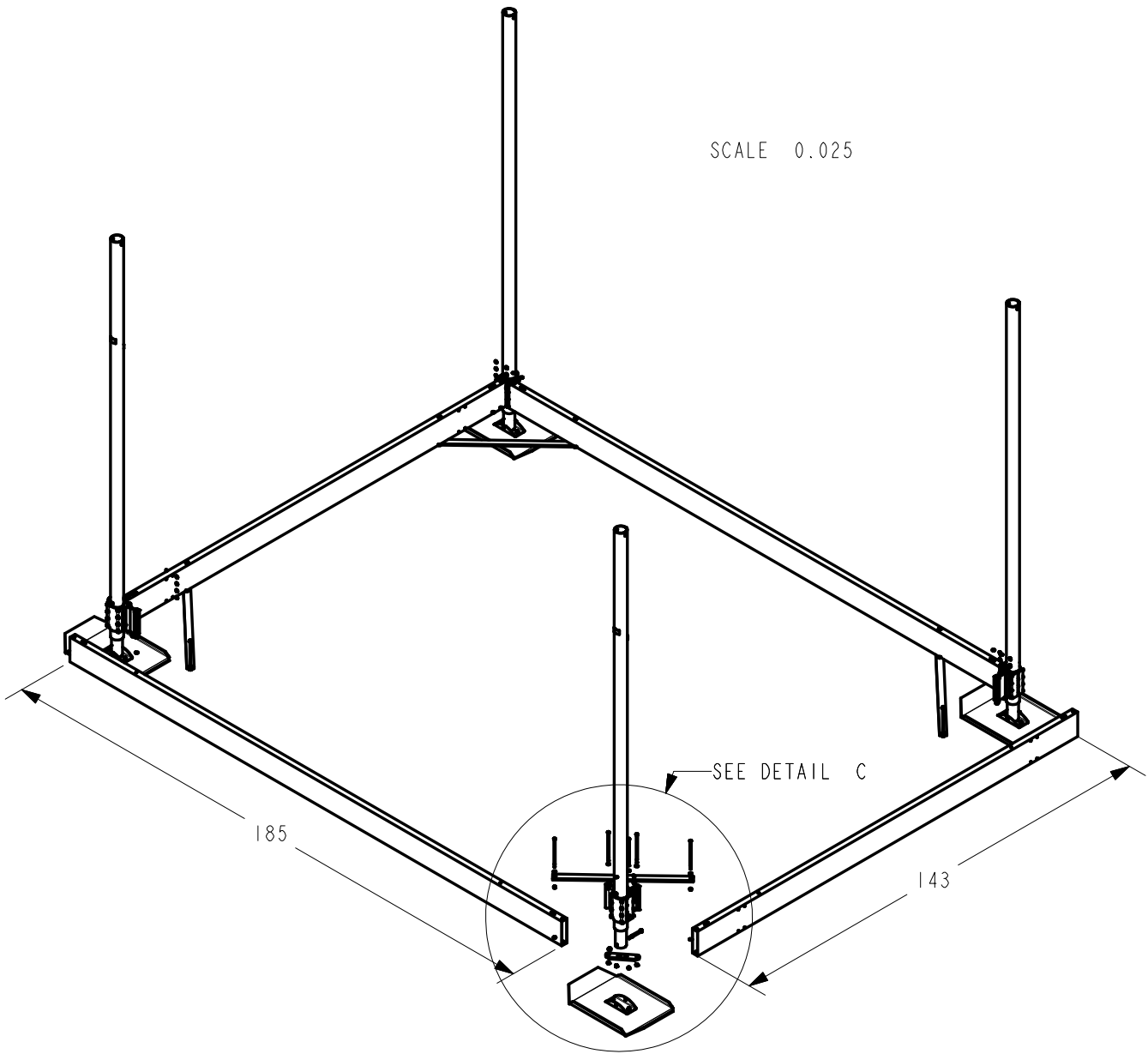
ITEM	PART #	DESCRIPTION	QTY	NOTE
1	0250130	CARR 3/8-16 X 1 GR5	2	
2	1440366	HEX LOCKNUT 3/8 BRASS/NYLON INSERT	2	
3	A104	ALUM BASE PAD CHANNEL CLAMP	1	
4	A313	ALUM BASE PAD LARGE 1/4IN	1	



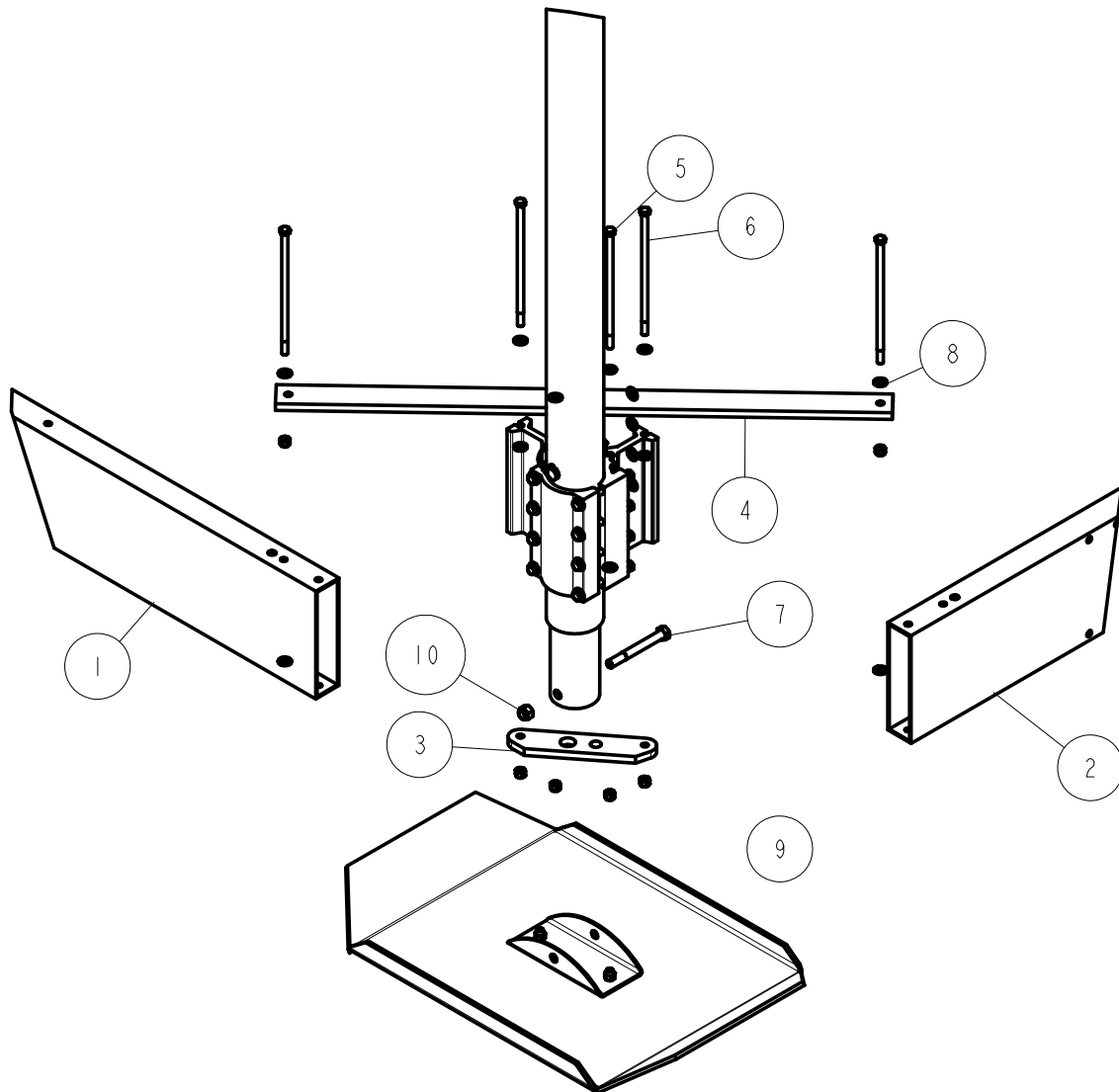


SCALE 0.090

ITEM	PART #	DESCRIPTION	QTY	NOTE
1	67464	LOWER CORNER BLOCK 8IN FRAME	1	
2	68392	CORNER POST WMENT	1	
3	68393	ADJUSTABLE LEG 15000 HYD	1	
4	68394	BOTTOM CLAMP CAP	1	
5	0150062	HH 3/8-16 X 4 1/2 CS STAINLESS	8	
6	1350095	WASHER USS FLAT 3/8 STAINLESS	16	
7	1450099	HEX LOCKNUT 3/8 SS W/NYLON INSER	8	
8	1540306	PIN STAINLESS STEEL W/RETAINER	1	



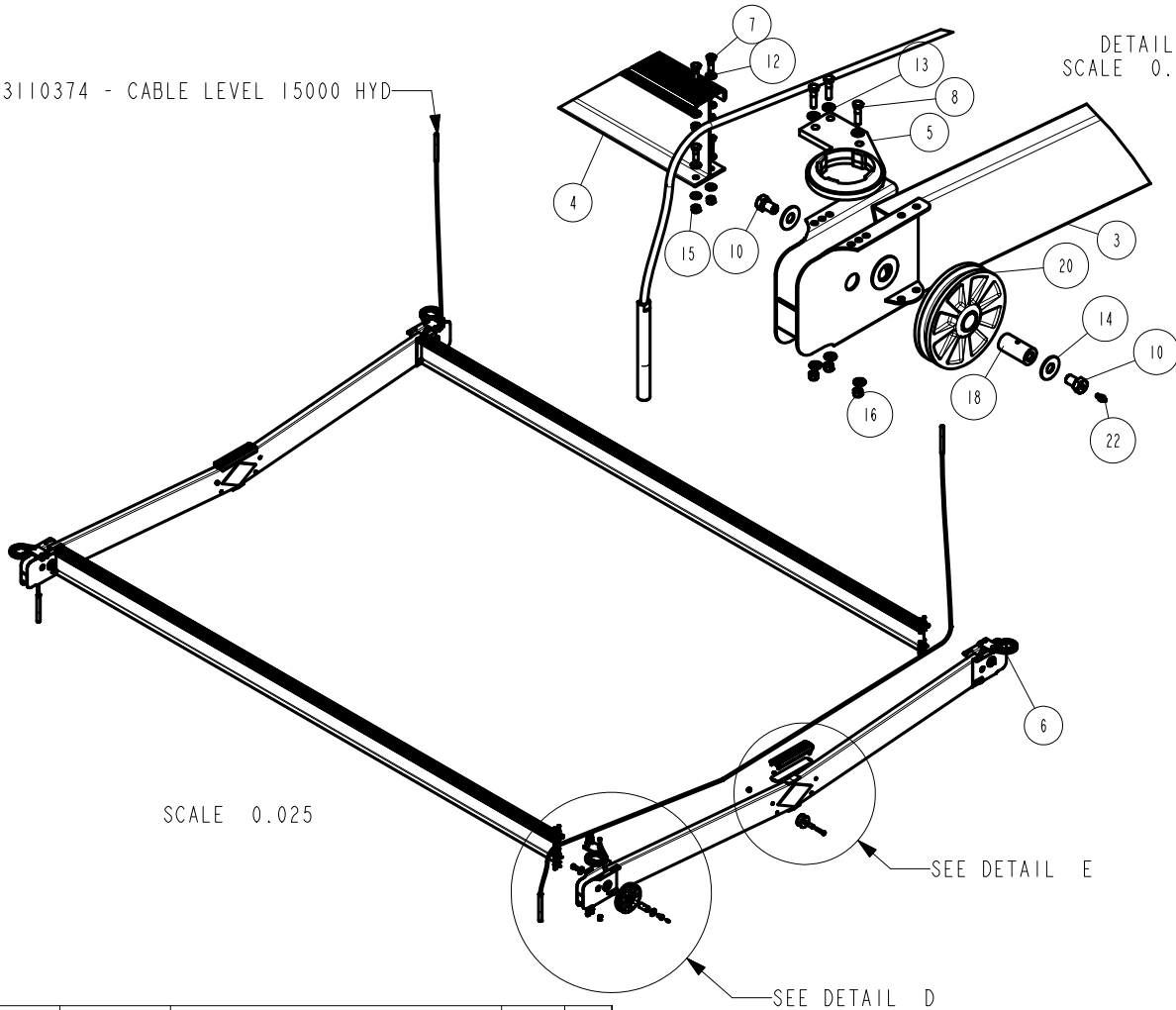
ITEM	PART #	DESCRIPTION	QTY	NOTE
1	67458	LOWER FRAME SIDE - 150144	2	
2	67459	FRONT & REAR LOWER FRAME - 150144	2	
3	67495	BOTTOM CORNER CABLE BRKT	2	
4	67512	CORNER BRACE BAR	4	
5	0150072	HH 3/8-16 X 8 1/2 CS GR5 SS	12	
6	0150074	HH 3/8-16 X 9 CS GR5 SS	12	
7	0150080	HH 1/2-13 X 4 1/2 CS STAINLESS	4	
8	1350095	WASHER USS FLAT 3/8 STAINLESS	48	
9	1440366	HEX LOCKNUT 3/8 BRASS/NYLON INSERT	24	
10	1440367	HEX LOCKNUT 1/2-13 BRASS/NYLON	4	



DETAIL C
SCALE 0.090

3110374 - CABLE LEVEL 15000 HYD

DETAIL D
SCALE 0.090

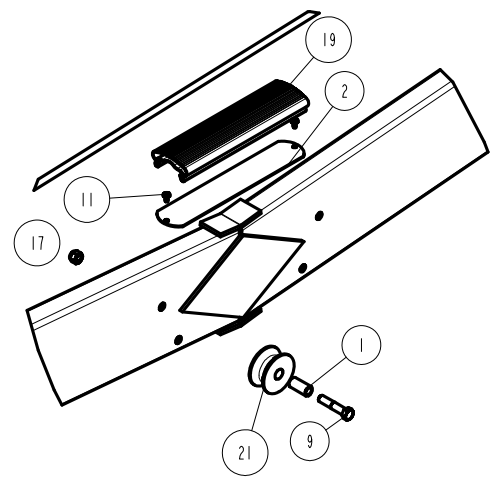


SCALE 0.025

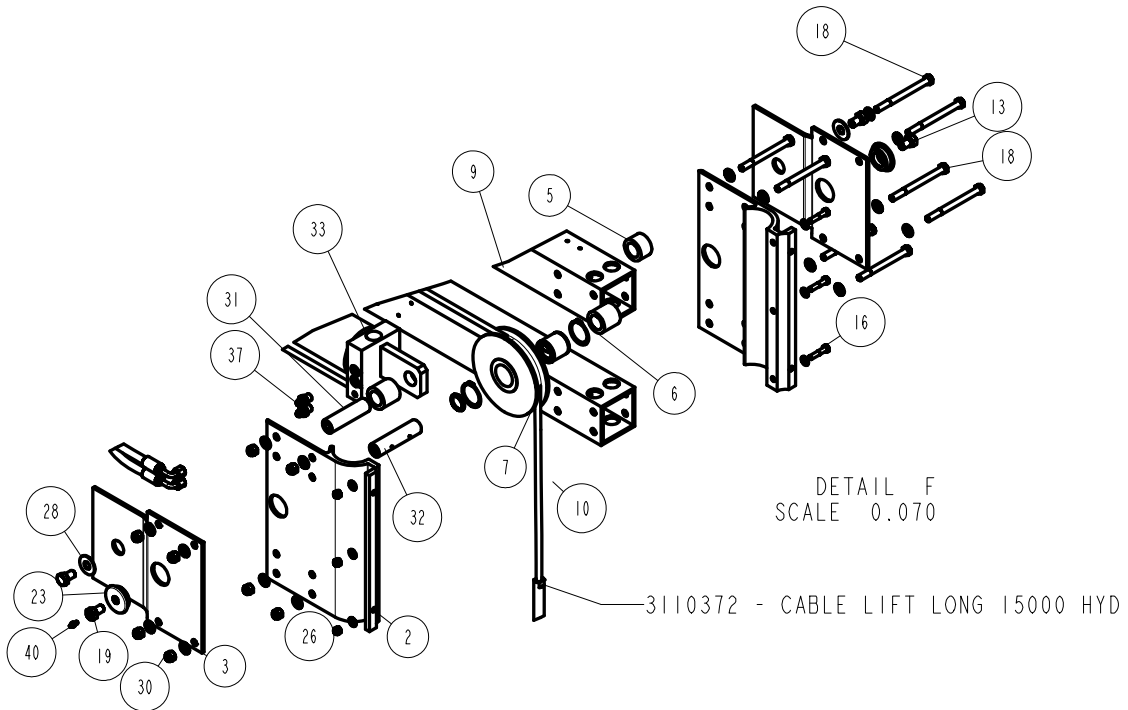
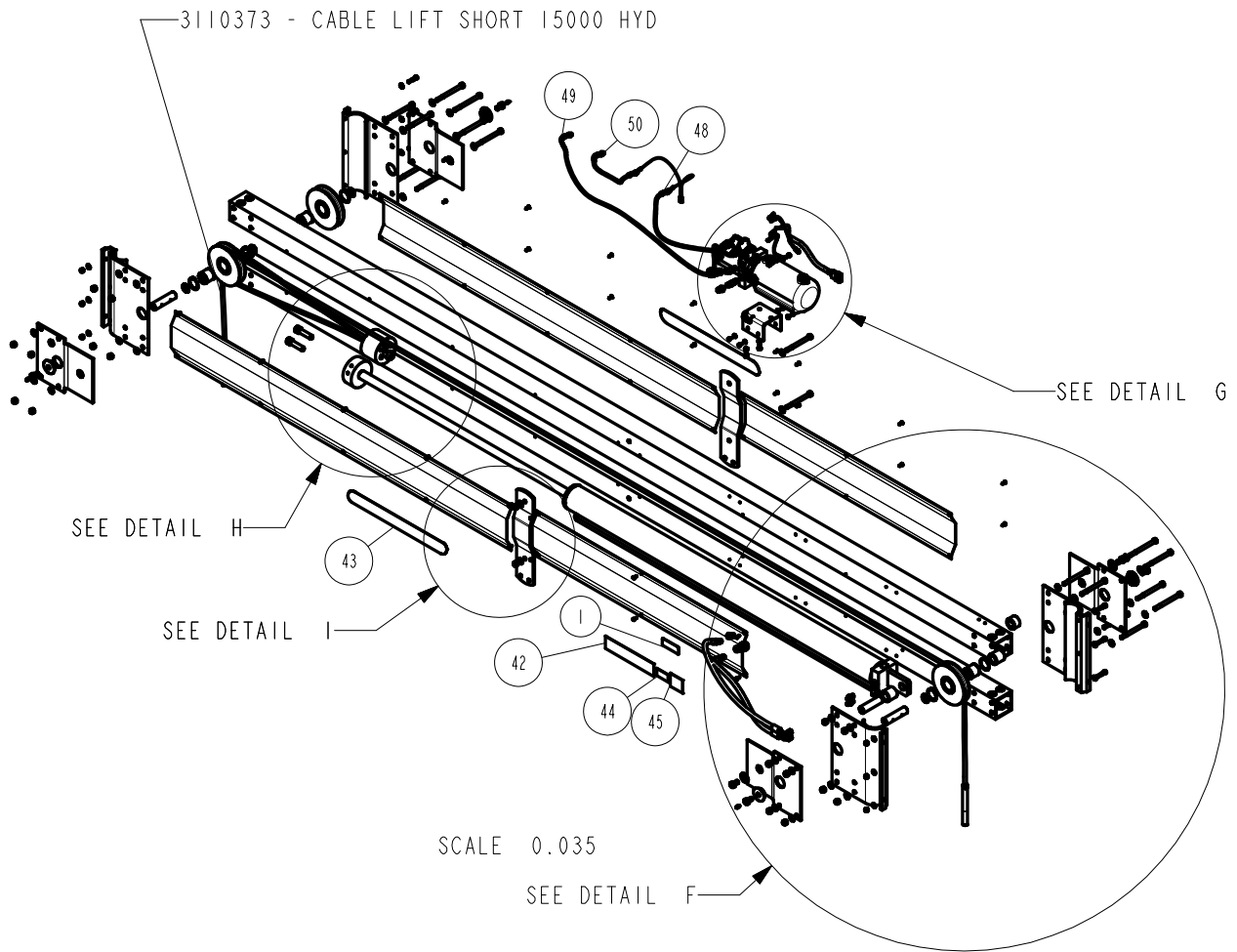
SEE DETAIL E

SEE DETAIL D

ITEM	PART #	DESCRIPTION	QTY	NOTE
1	60989	BUSHING STAINLESS STEEL(BOAT LIF	2	
2	60991	KEEL PROTECTOR PLATE(BOAT LIF)	2	
3	67473	CRADLE TUBE WMENT - V15000 HYD	2	
4	67475	7IN X 3IN PLATFORM I - BEAM	2	
5	67650	LEFT POSTGUIDE W/PLASTIC RING H	2	
6	67651	RIGHT POSTGUIDE W/PLASTIC RING	2	
7	0150025	HH 5/16-18 X 1 SS	16	
8	0150045	HH 3/8-16 X 1 1/2 CS STAINLESS	12	
9	0150098	HH 1/2-13 X 2 1/2 CS STAINLESS	2	
10	0150180	HH 5/8-11 X 1 CS STAINLESS STEEL	8	
11	0850126	SCREW 1/4 X 1/2 SELF TAP TYPE B SS	4	
12	1350085	WASHER USS FLAT 5/16 STAINLESS	32	
13	1350095	WASHER USS FLAT 3/8 STAINLESS	24	
14	1350105	WASHER USS FLAT 5/8 STAINLESS	8	
15	1440365	HEX LOCKNUT 5/16-18 BRASS /NYLON	16	
16	1440366	HEX LOCKNUT 3/8 BRASS/NYLON INSERT	12	
17	1440367	HEX LOCKNUT 1/2-13 BRASS/NYLON	2	
18	1540452	PLATFORM PULLEY PIN	4	
19	3510132	AXLE PAD 12IN BLK	2	
20	3510233	SHEEVE PULLEY 7 1/2IN NYLON	4	
21	3510237	SHEEVE PULLEY 3IN 15000 CRADLETU	2	
22	3620211	ZERK 1/4-28 STRAIGHT GREASE	4	

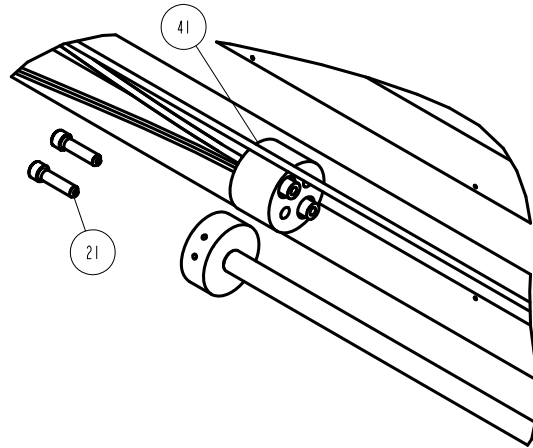
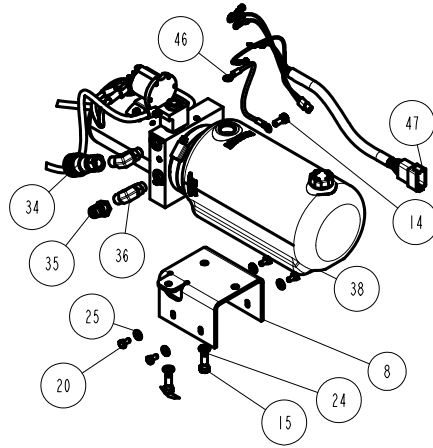


DETAIL E
SCALE 0.090

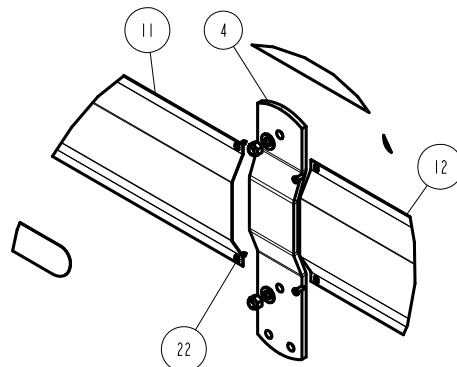


ITEM	PART #	DESCRIPTION	QTY	NOTE
1	0000911	LABEL W/PERMANENT ADHESIVE	1	
2	67477	TOP WINCH TUBE BRACKET	4	
3	67478	SIDE PLATE - SSV150144	4	
4	67479	BRACE PLATE - SSV150144	2	
5	67610	BUSHING SPACER 1 1/4***** HYD HOIST	1	
6	67611	BUSHING SPACER 1 7/8***** HYD HOIST	2	
7	68223	PULLEY SHEAVE ASSY - 7-1/2 STEEL	3	
8	68863	MOTOR MOUNT BRKT	1	
9	70089	HYD LIFT TUBE	2	
10	70097	MICROSWITCH ASSEMBLY	1	
11	70179	PLATE ENCLOSURE HOIST 150144	2	
12	70180	CHANNEL ENCLOSURE HOIST 150144	2	
13	0110180	HH 5/8-11 X 1 CS GR5	3	
14	0150022	HH 5/16-18 X 3/4 CS STAINLESS	1	
15	0150038	HH 3/8-16 X 3/4 CS STAINLESS	2	
16	0150047	HH 3/8-16 X 1 3/4 CS GR5	6	
17	0150125	HH 1/2-13 X 5 1/2 CS STAINLESS	10	
18	0150135	HH 1/2-13 X 6 CS GR5	8	
19	0150180	HH 5/8-11 X 1 CS STAINLESS STEEL	3	
20	0150316	HH 1/4-20 X 1/2 CS FULL THREADED STAINLESS	6	
21	0610045	SCREW 3/4-10 X 3 SOCKETHEAD	2	
22	0850976	SCREW 1/4-20X3/4 TORX PAN TYPE F SS	32	
23	1010082	HYD. HOIST END CAP	4	
24	1350030	LOCKWASHER 3/8 S/T MED STAINLESS	2	
25	1350070	WASHER USS FLAT 1/4 STAINLESS	6	
26	1350095	WASHER USS FLAT 3/8 STAINLESS	12	
27	1350100	WASHER USS FLAT 1/2 STAINLESS	36	
28	1350105	WASHER USS FLAT 5/8 STAINLESS	2	
29	1440366	HEX LOCKNUT 3/8 BRASS/NYLON INSERT	6	
30	1440367	HEX LOCKNUT 1/2-13 BRASS/NYLON	18	
31	1540453	CYLINDER PIN (WINCH TUBE)	1	
32	1540454	PULLEY PIN (WINCH TUBE)	2	
33	3210108	CYLINDER ASSY - 4 X 70IN STROKE	1	
34	3210110	HYDRAULIC COUPLER 3/8 FEMALE	2	
35	3210111	HYDRAULIC COUPLER 3/8 MALE	2	
36	3210113	ELBOW 90 STR ORING/PIPE 3/8ID	2	
37	3210122	ADAPTER 6 JIC -6 ORING MALE - SHORT	2	
38	3210142	HYDRAULIC POWER UNIT - 24VDC	1	
39	3210148	HOSE ASSEMBLY - SIZE 06 HYD	2	
40	3620211	ZERK 1/4-28 STRAIGHT GREASE	3	
41	3820081	CYLINDER CABLE MTG BLOCK	1	
42	4811446	DECAL CAUTION WARNING	1	
43	4811457	DECAL SHORESTATION ALUM HYDRAULIC	2	
44	4811459	DECAL CAUTION CAPACITY 15000 HOIST	1	
45	4811481	DECAL BIODEGRADABLE OIL	1	
46	5110621	WIRE HARNESS - 8 1/2IN GROUND WIRE	1	
47	5110627	HARNESS WIRE CONTROLLER/PUMP2010	1	
48	5310288	BATTERY CABLE 2GA. RED 34 IN	1	
49	5310289	BATTERY CABLE 2GA. BLACK 51 IN	1	
50	5310290	BATTERY CABLE 2GA. BLACK 21 IN	1	

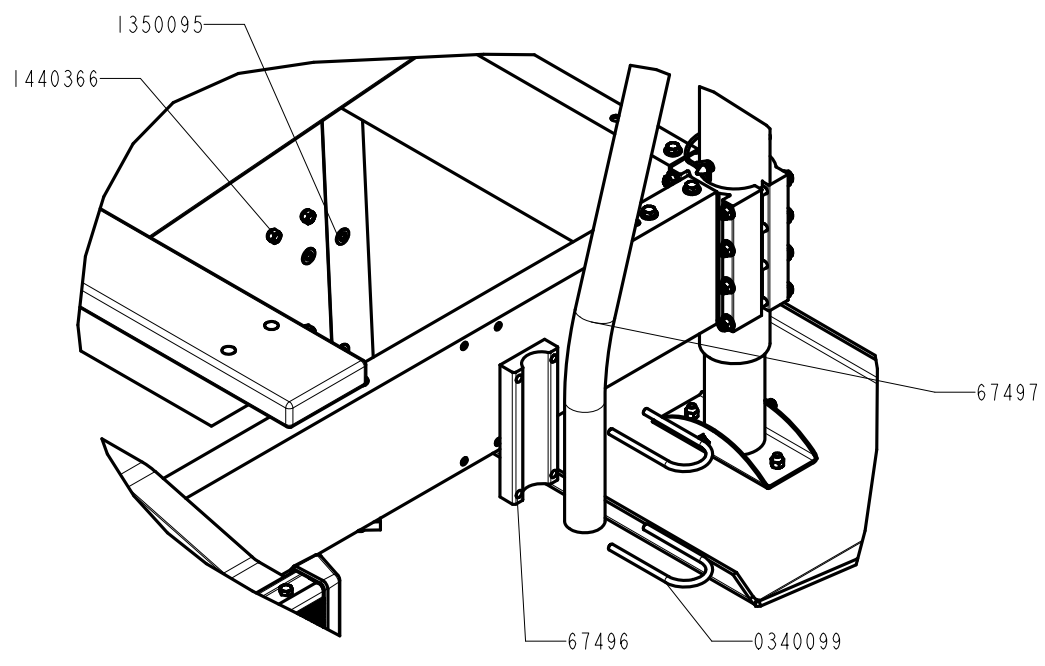
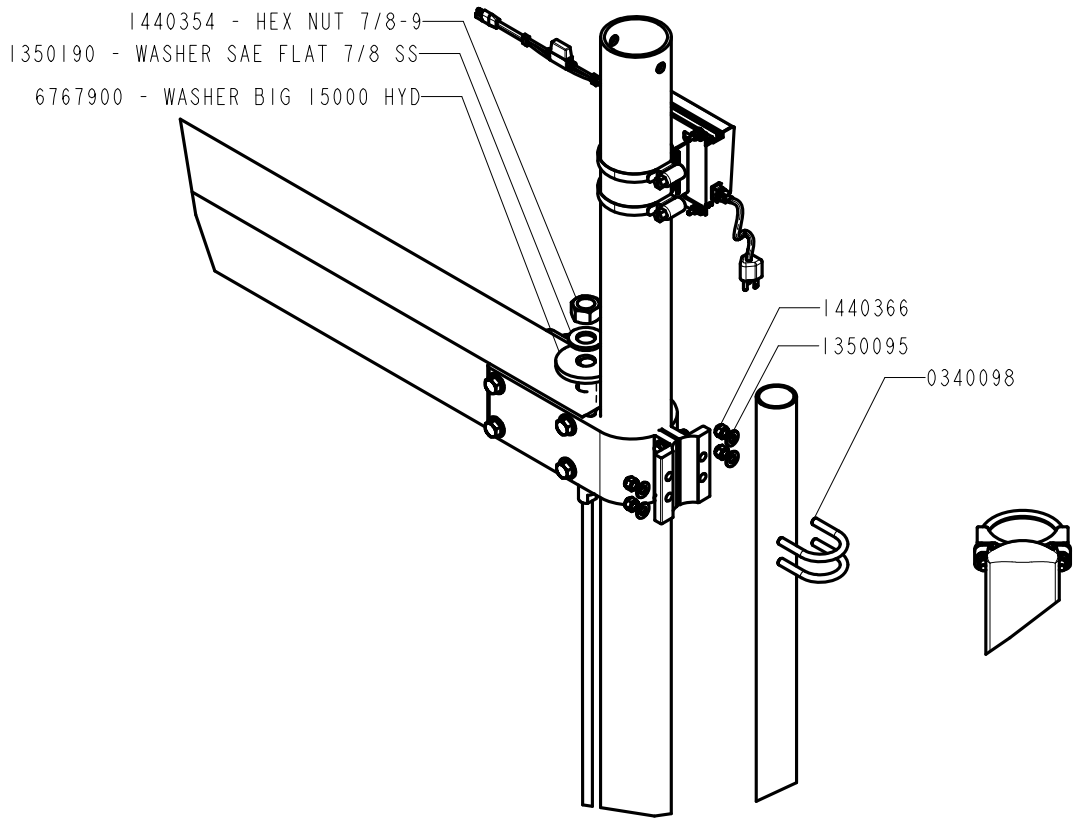
DETAIL G
SCALE 0.100

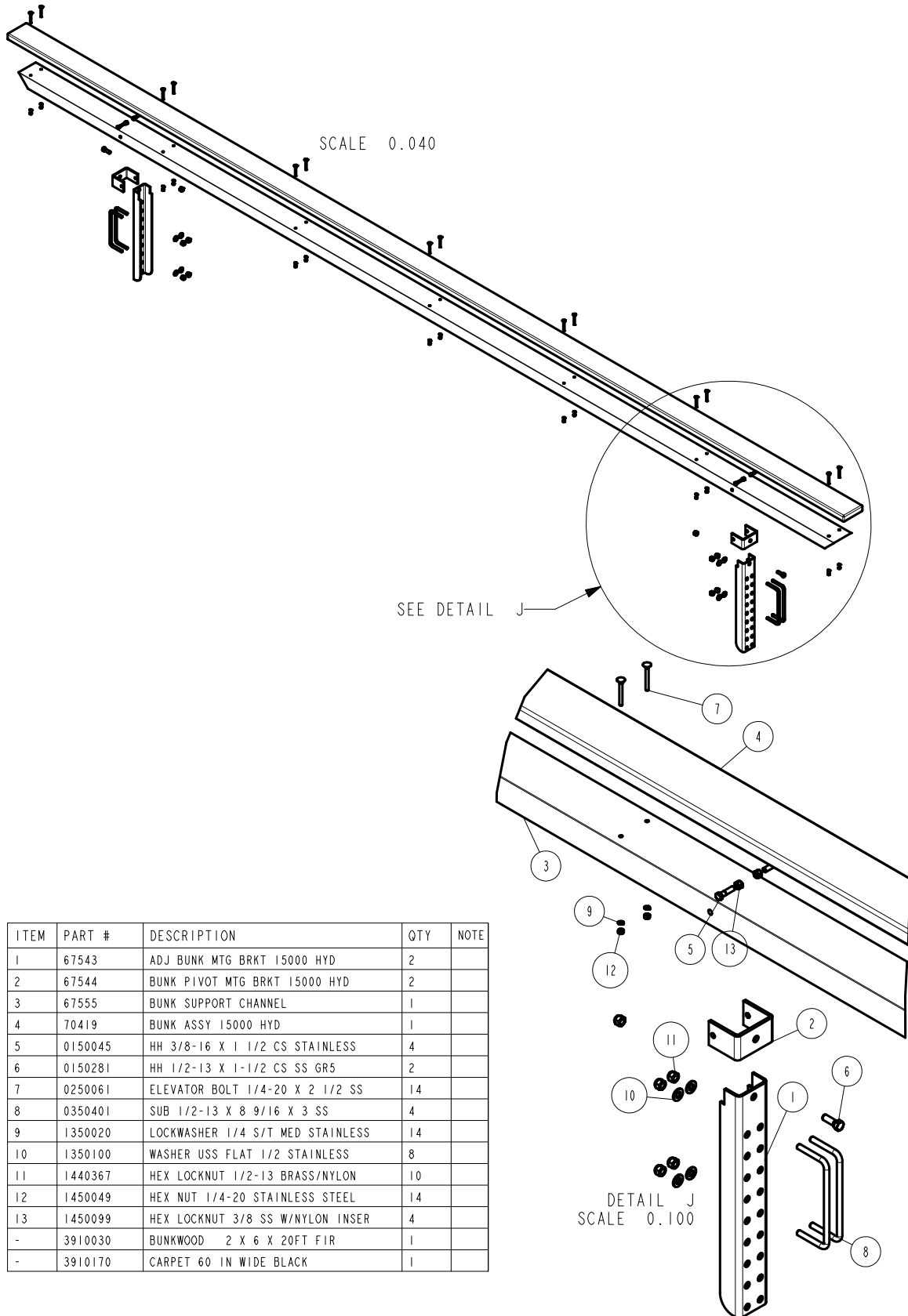


DETAIL H
SCALE 0.100

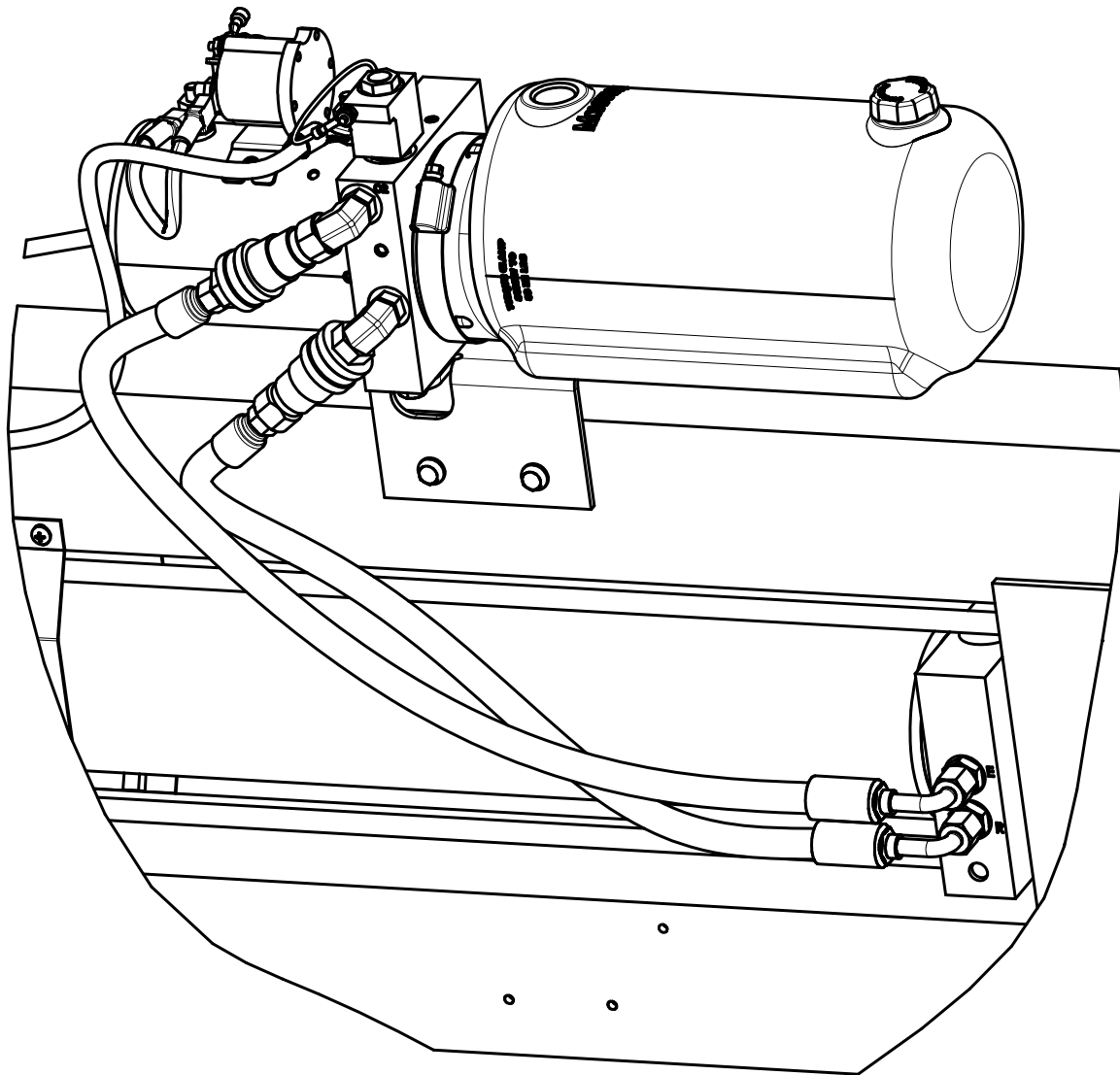


DETAIL I
SCALE 0.100



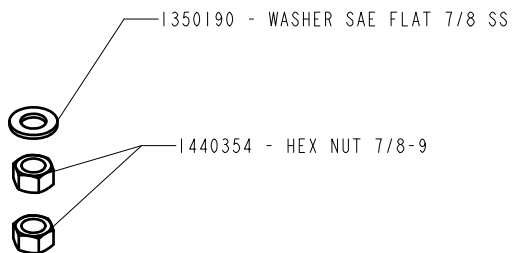


ITEM	PART #	DESCRIPTION	QTY	NOTE
1	67543	ADJ BUNK MTG BRKT 15000 HYD	2	
2	67544	BUNK PIVOT MTG BRKT 15000 HYD	2	
3	67555	BUNK SUPPORT CHANNEL	1	
4	70419	BUNK ASSY 15000 HYD	1	
5	0150045	HH 3/8-16 X 1 1/2 CS STAINLESS	4	
6	0150281	HH 1/2-13 X 1-1/2 CS SS GR5	2	
7	0250061	ELEVATOR BOLT 1/4-20 X 2 1/2 SS	14	
8	0350401	SUB 1/2-13 X 8 9/16 X 3 SS	4	
9	1350020	LOCKWASHER 1/4 S/T MED STAINLESS	14	
10	1350100	WASHER USS FLAT 1/2 STAINLESS	8	
11	1440367	HEX LOCKNUT 1/2-13 BRASS/NYLON	10	
12	1450049	HEX NUT 1/4-20 STAINLESS STEEL	14	
13	1450099	HEX LOCKNUT 3/8 SS W/NYLON INSER	4	
-	3910030	BUNKWOOD 2 X 6 X 20FT FIR	1	
-	3910170	CARPET 60 IN WIDE BLACK	1	



SCALE 0.300

Platform Cable to lower frame attaching hardware and Lift Cables to platform attaching hardware



DETAIL K
SCALE 0.200



DETAIL L
SCALE 0.200