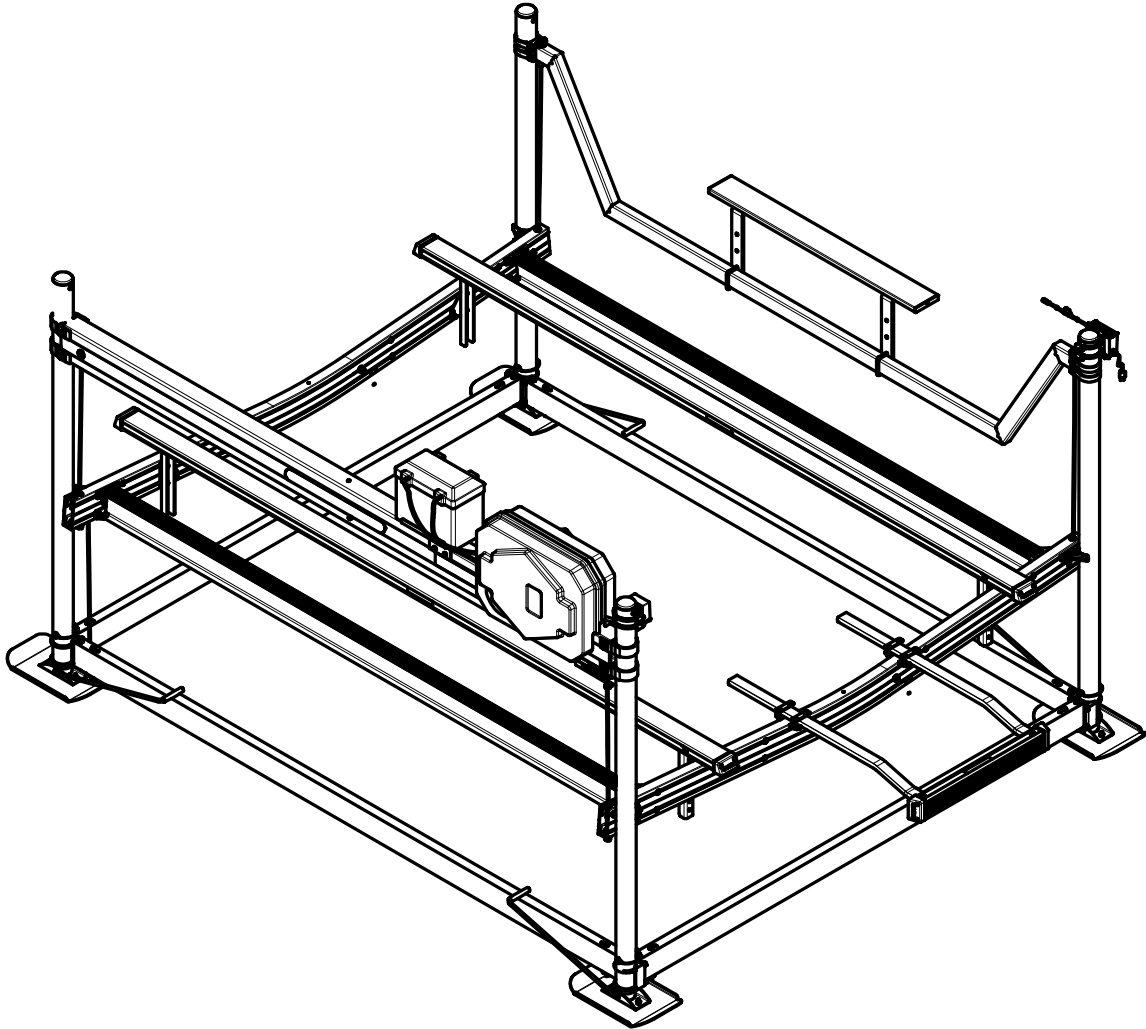


SSV40108HS & SSV40108HSDW 4000lb 108 Wide Alum V-Frame 12Volt DC Hydraulic Lift



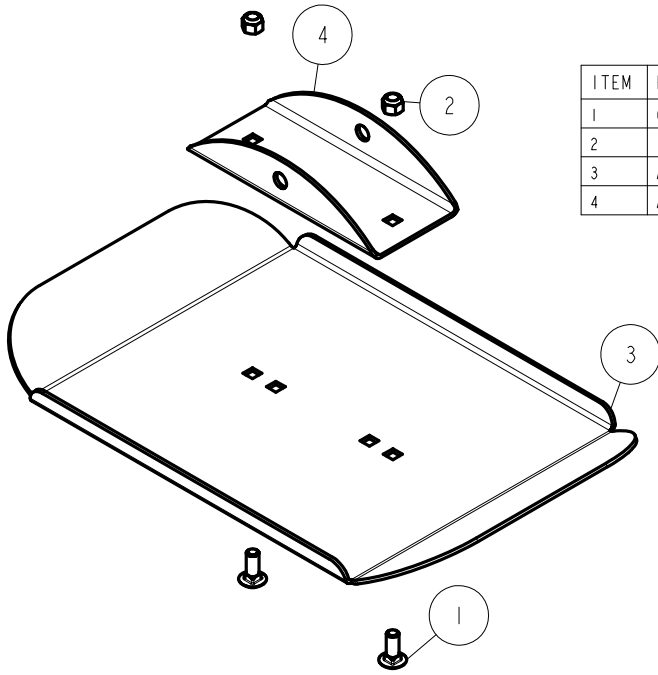
SSV40108HS

66659	Drop Side Bundle V40108/120 HY
68681	Lower Frame Bundle 40108 HYD
70566	Platform Bundle Alum40108 HYD
70403	Leg Bundle V40108/120 HYDSS
70090	Hyd Lift Tube Assy 40108/120 HY
70099	Cover DC & Hardware
70406	Hdwe Box SSV40108/120 HYDSS
70700	Pump Assy 12V Hdwe Box 2010
70624	Lit Packet SSV40108HS/DW
HA0086	Bunk Poly 4000H/6000M/E Hoist
HA0087	Motor Stop Bundle 5.75Alum V-F
HA0090	Adjustable Step-Hoist Eon
HA0109	Battery Box & Brkt Hyd Winch Tube
HA0083	Battery Tender 12 volt & Hdwe

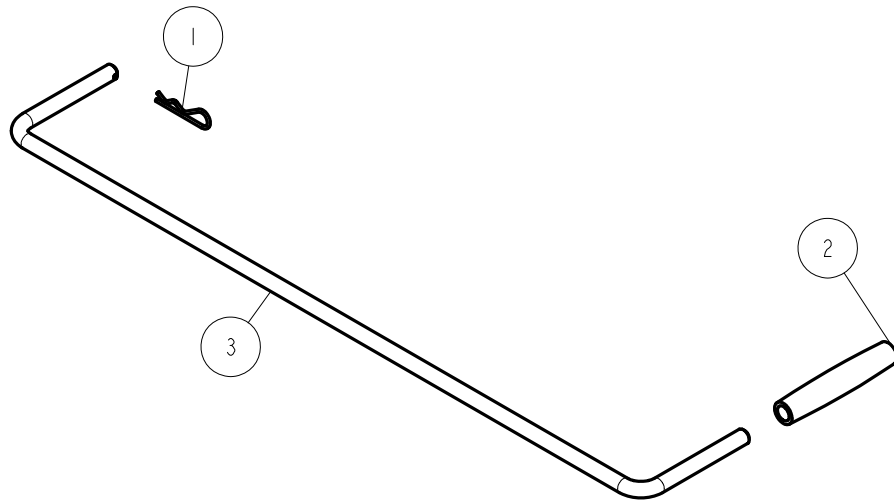
SSV40108HSDW

66659	Drop Side Bundle V40108/120 HY
68681	Lower Frame Bundle 40108 HYD
70566	Platform Bundle Alum40108 HYD
70404	Leg Bundle V40108/120 HYDSSDW
70090	Hyd Lift Tube Assy 40108/120 HY
70099	Cover DC & Hardware
70406	Hdwe Box SSV40108/120 HYDSS
70700	Pump Assy 12V Hdwe Box 2010
70624	Lit Packet SSV40108HS/DW
HA0086	Bunk Poly 4000H/6000M/E Hoist
HA0087	Motor Stop Bundle 5.75Alum V-F
HA0090	Adjustable Step-Hoist Eon
HA0109	Battery Box & Brkt Hyd Winch Tube
HA0083	Battery Tender 12 volt & Hdwe

The following are the parts needed for the assemblies as shown. Note all HA bundles come with their own assembly instructions and parts breakdown.



ITEM	PART #	DESCRIPTION	QTY	NOTE
1	0250130	CARR 3/8-16 X 1 GR5	2	
2	1440366	HEX LOCKNUT 3/8 BRASS/NYLON INSERT	2	
3	A103	ALUM BASE PAD	1	
4	A104	ALUM BASE PAD CHANNEL CLAMP	1	

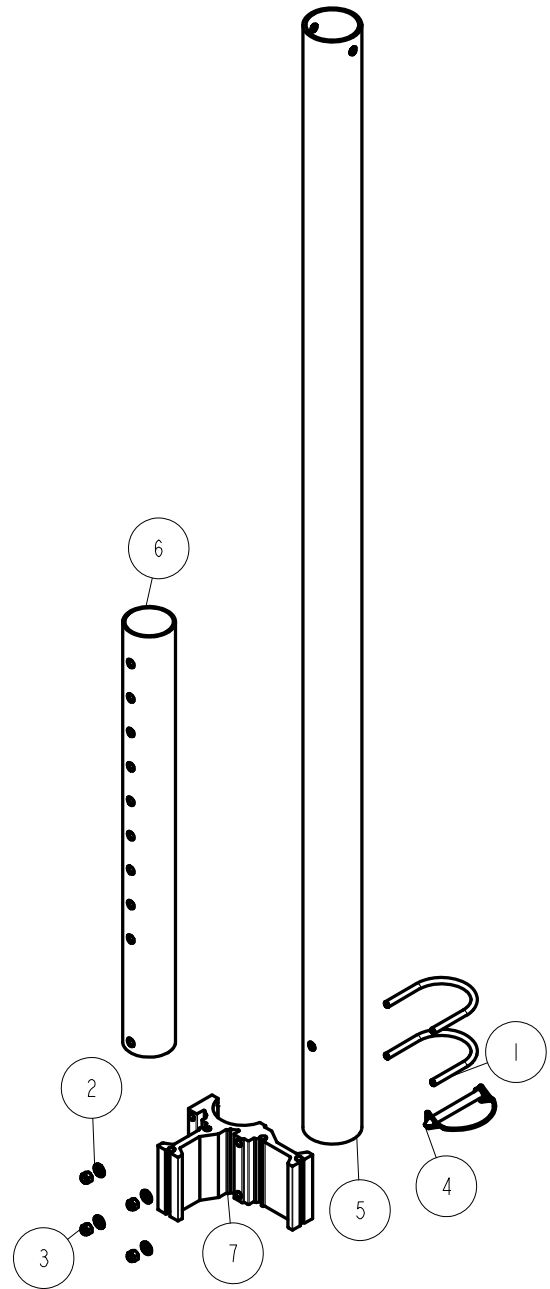
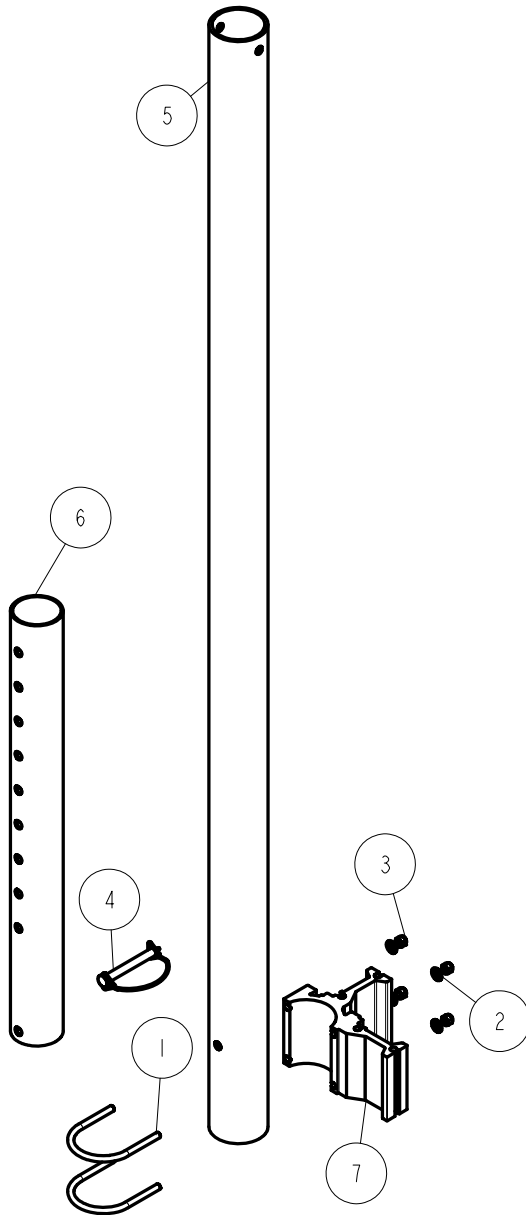


ITEM	PART #	DESCRIPTION	QTY	NOTE
1	1550300	HAIR PIN COTTER #207 3/32 SS	1	
2	3510014	GRIP BLACK 1/2 ID X 4 1/2 LONG	1	
3	A141	LEG LIFT ROD(BOAT LIFT)	1	

These are the left front and right front legs that are included in the leg bundle for you lift.

ITEM	PART #	DESCRIPTION	QTY	NOTE
1	0350097	RUB 3/8-16 X 3 7/8 X 4 5/8 SS	2	
2	1350095	WASHER USS FLAT 3/8 STAINLESS	4	
3	1450099	HEX LOCKNUT 3/8 SS W/NYLON INSER	4	
4	1540306	PIN STAINLESS STEEL W/RETAINER	1	
-	4811312	DECAL CLAMP ARROW ALUM HOIST	1	
-	4811450	DECAL WINCH TUBE GUIDE POST	1	
5	A101	WINCH POST 3 1/2"OD X 80"	1	
6	A102	ADJUSTABLE LEG 3 1/8OD X 30 1/2	1	
7	A110	LOWER CORNER BLOCK 5IN FRAME	1	

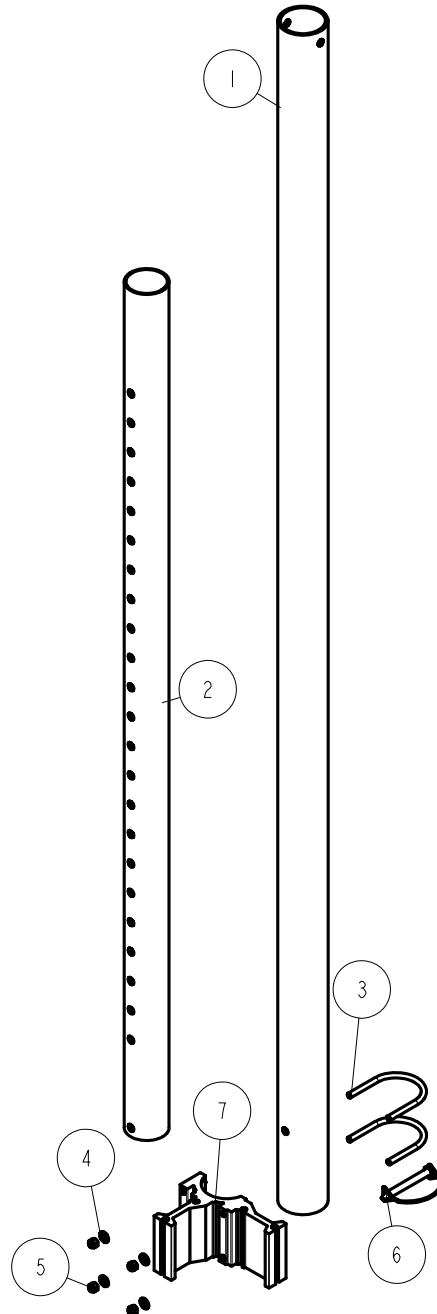
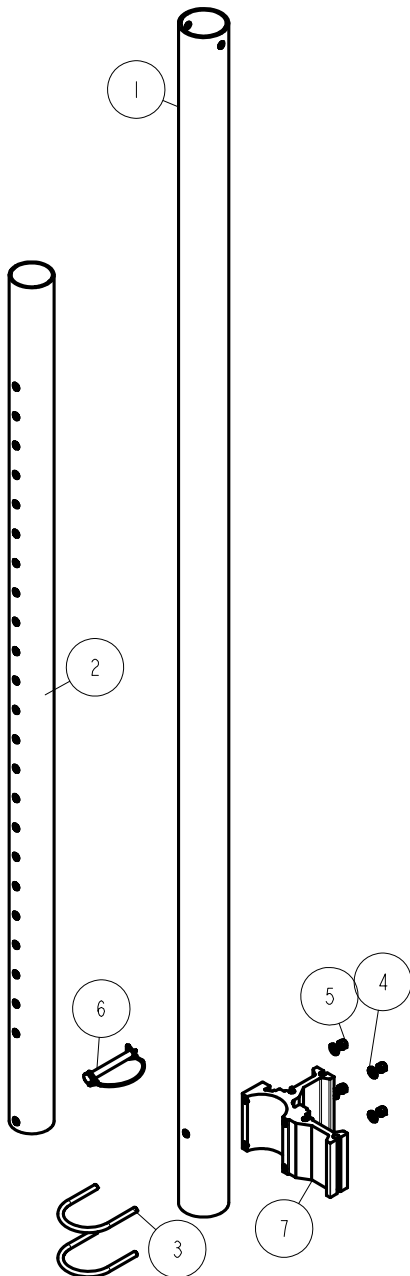
ITEM	PART #	DESCRIPTION	QTY	NOTE
1	0350097	RUB 3/8-16 X 3 7/8 X 4 5/8 SS	2	
2	1350095	WASHER USS FLAT 3/8 STAINLESS	4	
3	1450099	HEX LOCKNUT 3/8 SS W/NYLON INSER	4	
4	1540306	PIN STAINLESS STEEL W/RETAINER	1	
-	4811312	DECAL CLAMP ARROW ALUM HOIST	1	
5	A101	WINCH POST 3 1/2"OD X 80"	1	
6	A102	ADJUSTABLE LEG 3 1/8OD X 30 1/2	1	
7	A110	LOWER CORNER BLOCK 5IN FRAME	1	



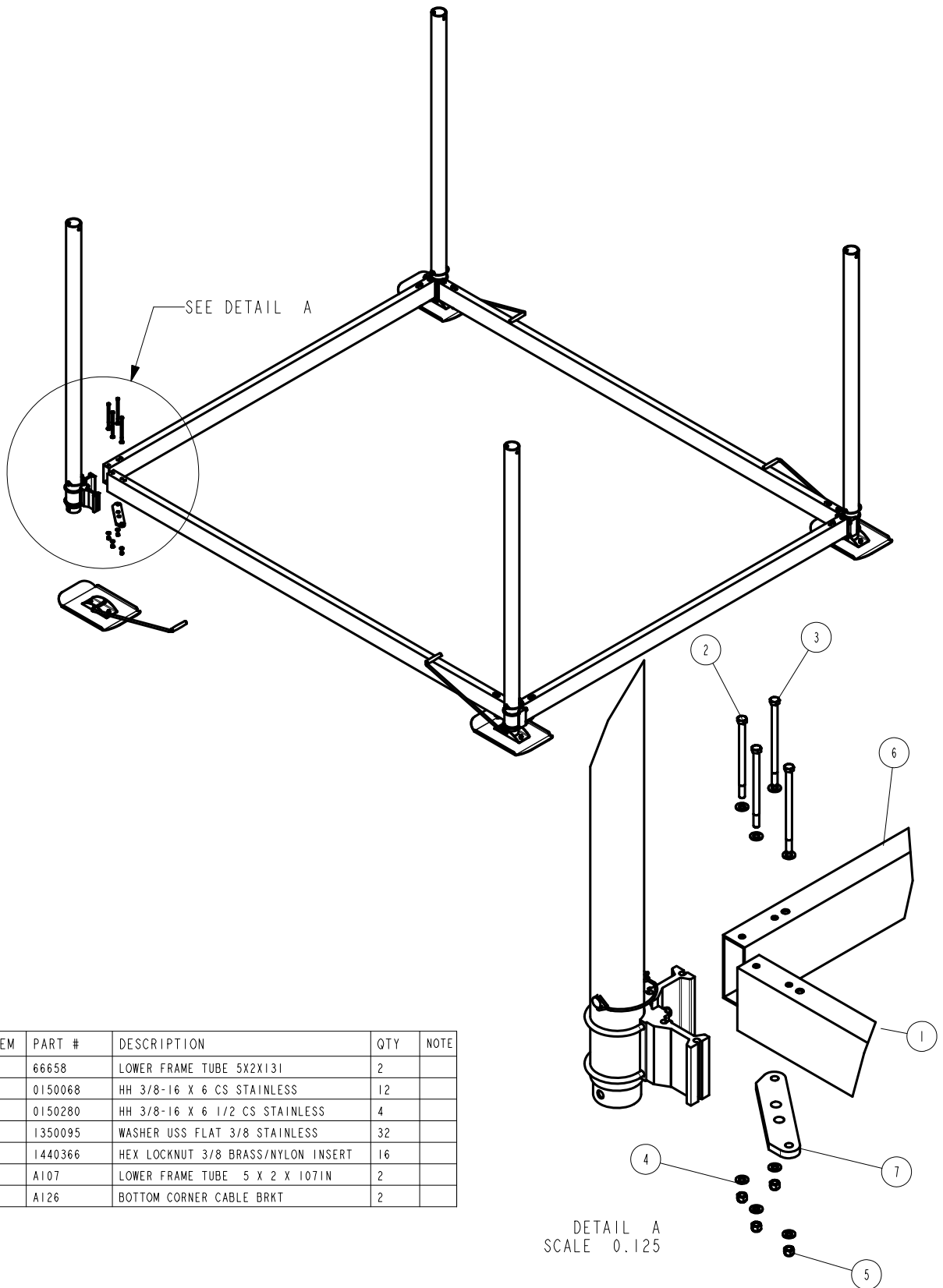
These are the left front and right front leg assemblies included in the deep water leg bundle.

ITEM	PART #	DESCRIPTION	QTY	NOTE
1	67224	GUIDE POST DW 3 1/2 X 100 3/8	1	
2	67225	ADJ LEG DW 3.125 X 72	1	
3	0350097	RUB 3/8-16 X 3 7/8 X 4 5/8 SS	2	
4	1350095	WASHER USS FLAT 3/8 STAINLESS	4	
5	1450099	HEX LOCKNUT 3/8 SS W/NYLON INSER	4	
6	1540306	PIN STAINLESS STEEL W/RETAINER	1	
-	4811312	DECAL CLAMP ARROW ALUM HOIST	1	
-	4811450	DECAL WINCH TUBE GUIDE POST	1	
7	A110	LOWER CORNER BLOCK 5IN FRAME	1	

ITEM	PART #	DESCRIPTION	QTY	NOTE
1	67224	GUIDE POST DW 3 1/2 X 100 3/8	1	
2	67225	ADJ LEG DW 3.125 X 72	1	
3	0350097	RUB 3/8-16 X 3 7/8 X 4 5/8 SS	2	
4	1350095	WASHER USS FLAT 3/8 STAINLESS	4	
5	1450099	HEX LOCKNUT 3/8 SS W/NYLON INSER	4	
6	1540306	PIN STAINLESS STEEL W/RETAINER	1	
-	4811312	DECAL CLAMP ARROW ALUM HOIST	1	
7	A110	LOWER CORNER BLOCK 5IN FRAME	1	



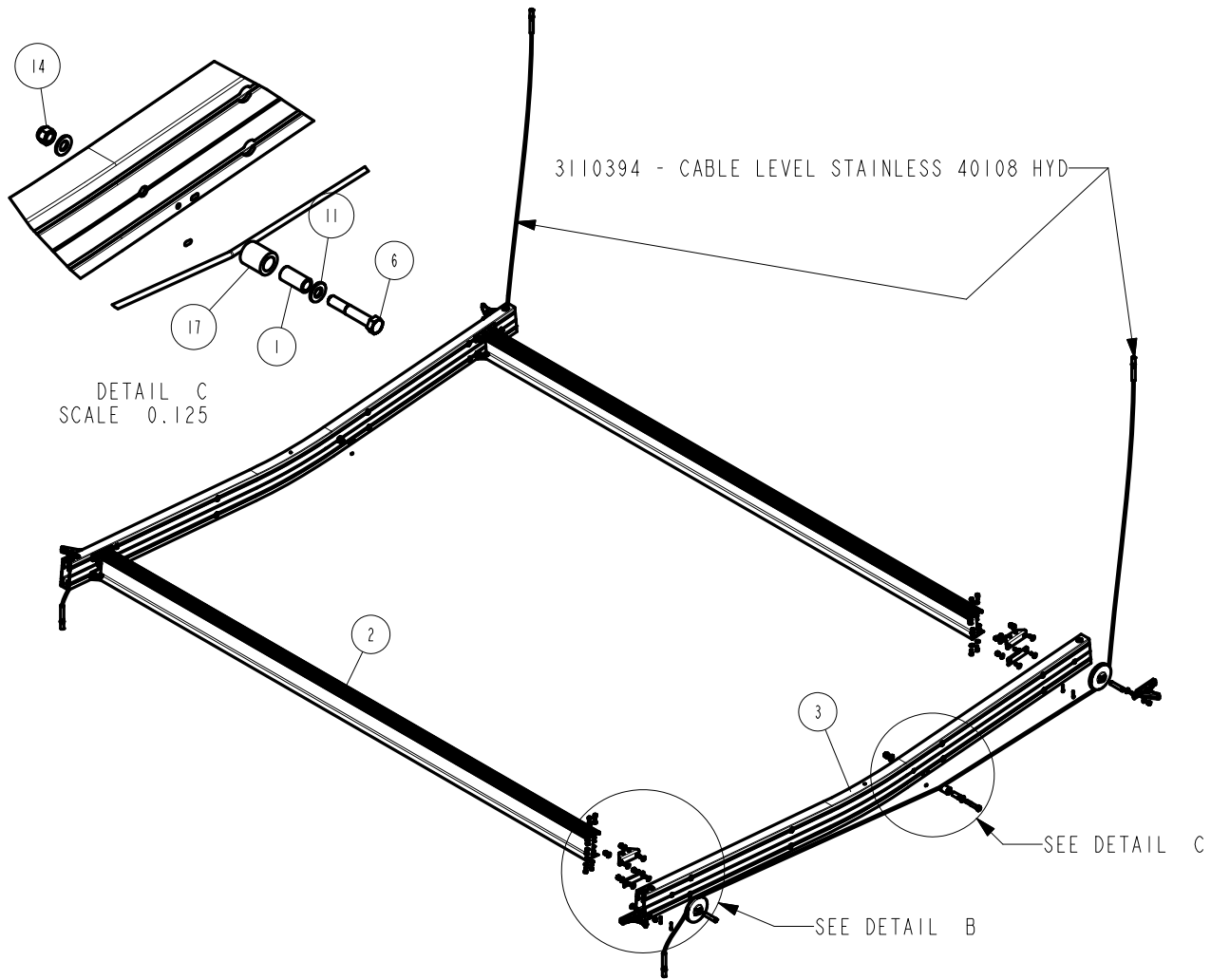
Lower frame.



ITEM	PART #	DESCRIPTION	QTY	NOTE
1	66658	LOWER FRAME TUBE 5X2X131	2	
2	0150068	HH 3/8-16 X 6 CS STAINLESS	12	
3	0150280	HH 3/8-16 X 6 1/2 CS STAINLESS	4	
4	1350095	WASHER USS FLAT 3/8 STAINLESS	32	
5	1440366	HEX LOCKNUT 3/8 BRASS/NYLON INSERT	16	
6	A107	LOWER FRAME TUBE 5 X 2 X 107IN	2	
7	A126	BOTTOM CORNER CABLE BRKT	2	

DETAIL A
SCALE 0.125

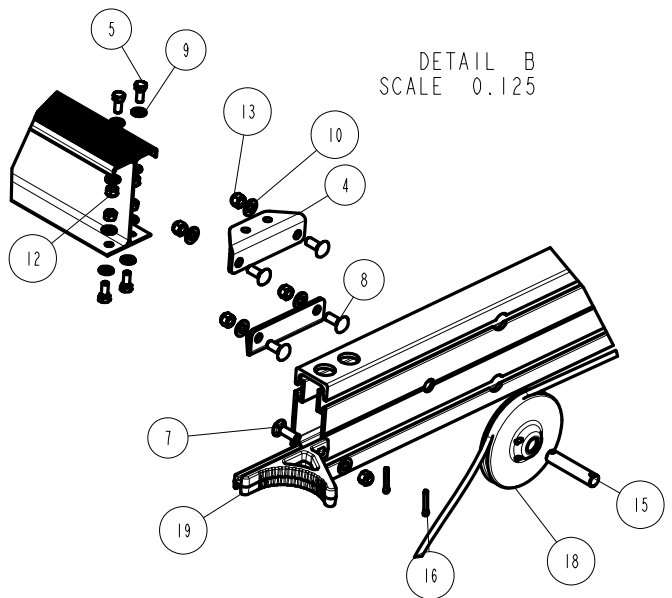
Platform Assembly



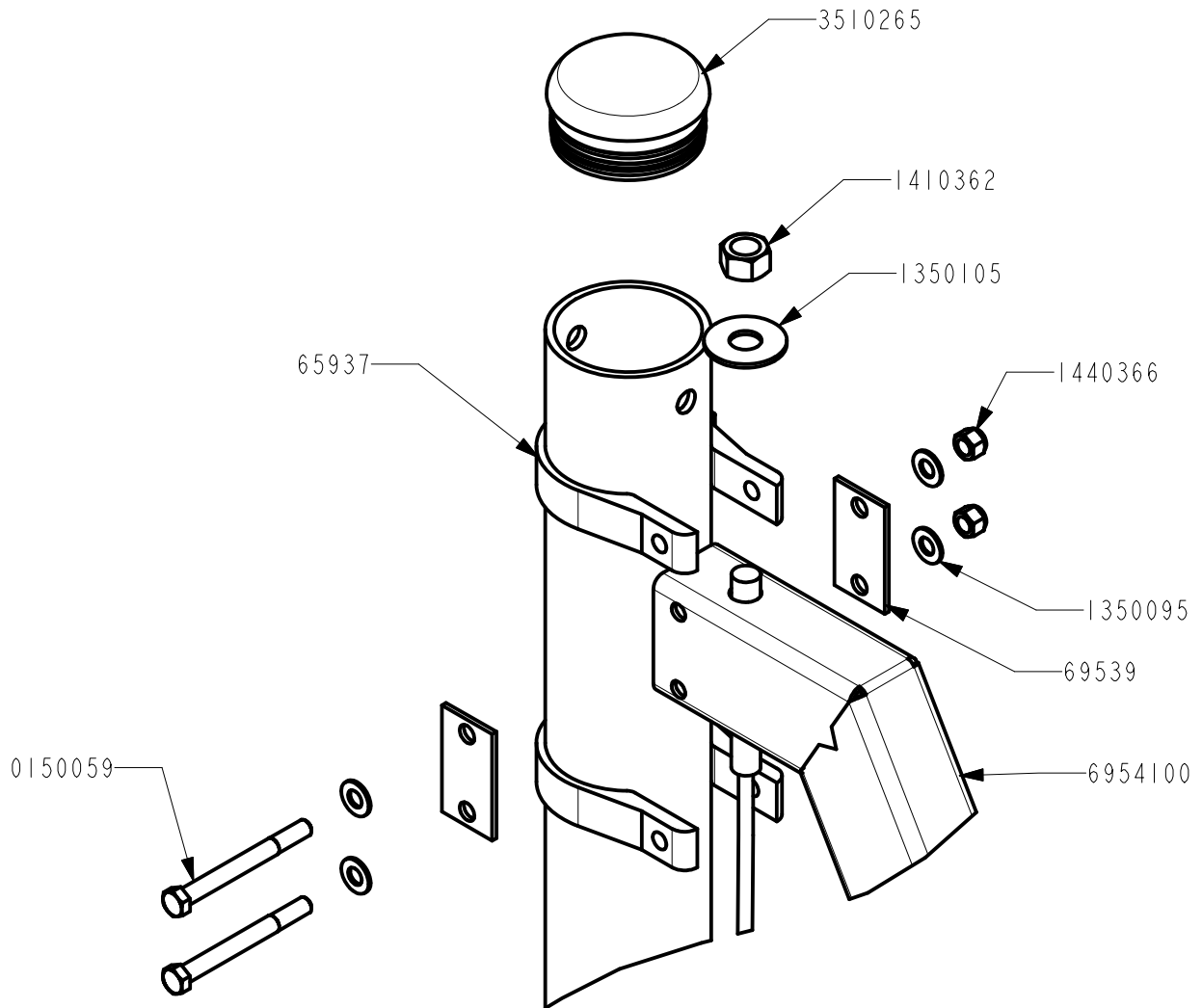
DETAIL C
SCALE 0.125

DETAIL B
SCALE 0.125

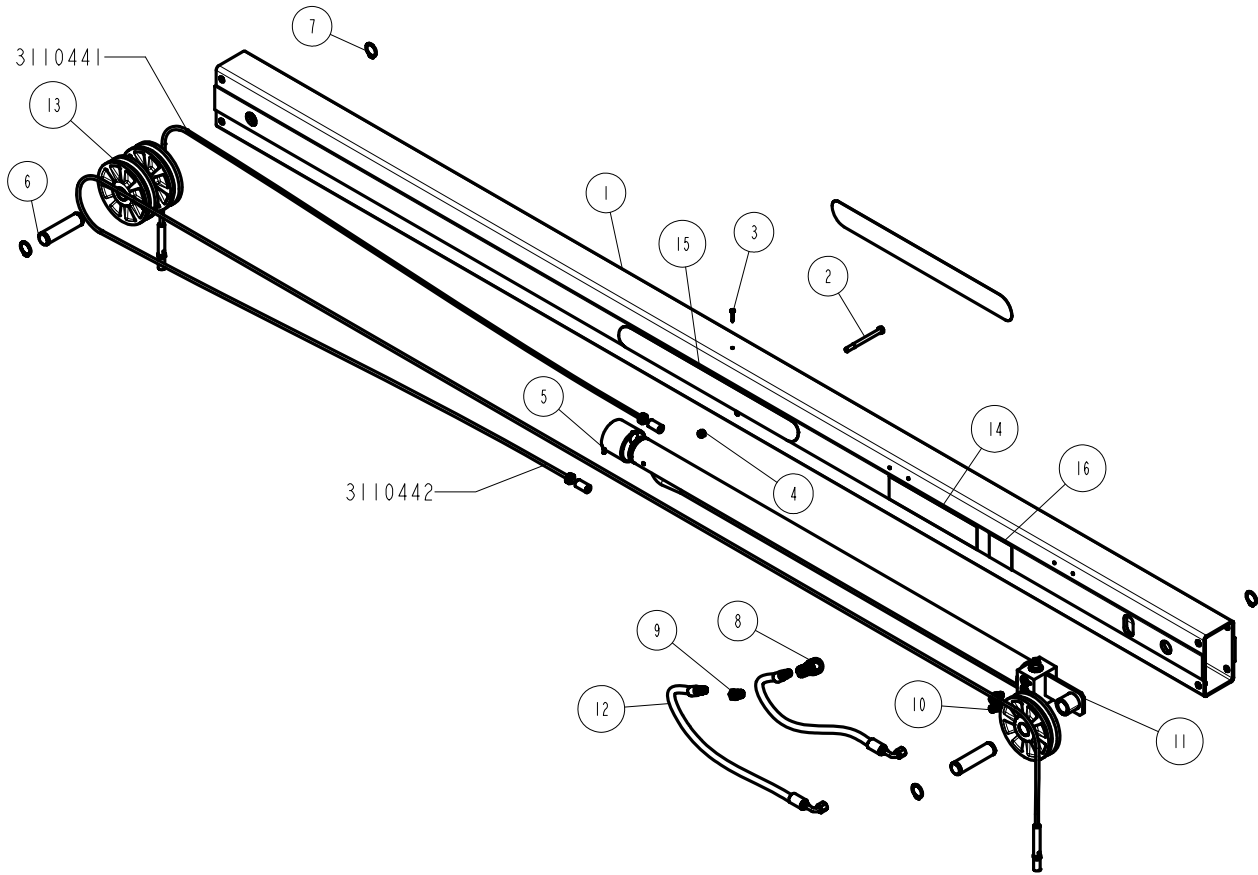
ITEM	PART #	DESCRIPTION	QTY	NOTE
1	60989	BUSHING STAINLESS STEEL(BOAT LIF	2	
2	61054	PLATFORM I BEAM 3X5X126 1/4	2	
3	70215	CRADLE TUBE ALUM 108 (2.120 X 5.75)	2	
4	70218	ANGLE ALUM HOIST I BEAM	8	
5	0150022	HH 5/16-18 X 3/4 CS STAINLESS	16	
6	0150107	HH 1/2-13 X 3 CS GR5	2	
7	0250103	CARR 3/8-16 X 1 1/4 SS	4	
8	0250130	CARR 3/8-16 X 1 GR5	16	
9	1350085	WASHER USS FLAT 5/16 STAINLESS	32	
10	1350095	WASHER USS FLAT 3/8 STAINLESS	20	
11	1350100	WASHER USS FLAT 1/2 STAINLESS	4	
12	1440365	HEX LOCKNUT 5/16-18 BRASS /NYLON	16	
13	1440366	HEX LOCKNUT 3/8 BRASS/NYLON INSERT	20	
14	1450357	HEX LOCKNUT NYLON 1/2-13 STAINLESS	2	
15	1540411	STAINLESS STEEL PIN	4	
16	1550078	COTTER KEY 3/16 X 1	8	
17	3510099	BUSHING - NYLATRON V-HOIST	2	
18	3510194	PULLEY 5IN	4	
19	3510392	CORNER GUIDE MOLDED HOIST 2010	4	



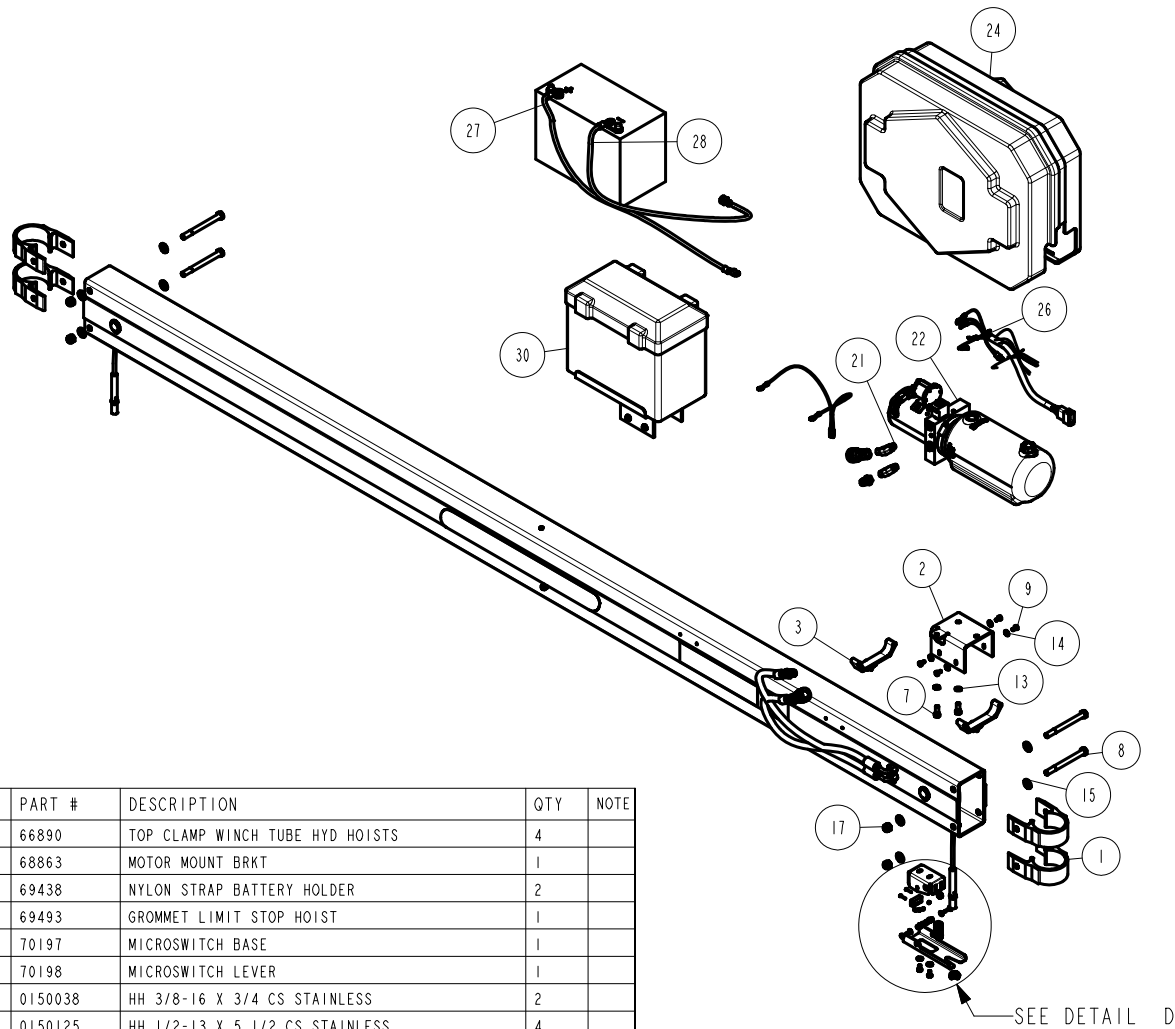
These will be the parts for Drop Side Assembly and also the Leg Caps if no canopy is used.



Lift Tube Assembly



ITEM	PART #	DESCRIPTION	QTY	NOTE
1	70085	WINCH TUBE V40120 HYD	1	
2	0150062	HH 3/8-16 X 4 1/2 CS STAINLESS	1	
3	0810936	SCREW #12-24 XI 1/4 HWH SELF DRILL	1	
4	1450099	HEX LOCKNUT 3/8 SS W/NYLON INSER	1	
5	1540407	ROLL PIN - 1/8 X 1/2"	2	
6	1540455	PIN - PULLEY W/SNAP RING	2	
7	1750026	SNAP RING 1 1/4 EXTERNAL SS	4	
8	3210110	HYDRAULIC COUPLER 3/8 FEMALE	1	
9	3210111	HYDRAULIC COUPLER 3/8 MALE	1	
10	3210122	ADAPTER 6 JIC -6 ORING MALE - SHORT	2	
11	3210143	HYD CYLINDER 4000 LBS LIFT	1	
12	3210148	HOSE ASSEMBLY - SIZE 06 HYD	2	
13	3510232	SHEEVE PULLEY 6 1/2IN NYLON	3	
14	4811446	DECAL CAUTION WARNING	1	
15	4811457	DECAL SHORESTATION ALUM HYDRAULIC	2	
16	4811481	DECAL BIODEGRADABLE OIL	1	
17	4850356	DECAL CAUTION MAX LOAD	1	



ITEM	PART #	DESCRIPTION	QTY	NOTE
1	66890	TOP CLAMP WINCH TUBE HYD HOISTS	4	
2	68863	MOTOR MOUNT BRKT	1	
3	69438	NYLON STRAP BATTERY HOLDER	2	
4	69493	GROMMET LIMIT STOP HOIST	1	
5	70197	MICROSWITCH BASE	1	
6	70198	MICROSWITCH LEVER	1	
7	0150038	HH 3/8-16 X 3/4 CS STAINLESS	2	
8	0150125	HH 1/2-13 X 5 1/2 CS STAINLESS	4	
9	0150316	HH 1/4-20 X 1/2 CS FULL THREADED STAINLESS	6	
10	0850975	SCREW #10-32 X 3/4 PHIL PAN M/S STAINLESS	2	
11	0850978	SCREW 5-40 X 3/4 MS STAINLESS	2	
12	1110044	WIRE TIE 5 1/2IN X .14IN BLACK	1	
13	1350030	LOCKWASHER 3/8 S/T MED STAINLESS	2	
14	1350070	WASHER USS FLAT 1/4 STAINLESS	6	
15	1350100	WASHER USS FLAT 1/2 STAINLESS	8	
16	1350170	WASHER SAE FLAT #10 TYPE-A STAINLESS	4	
17	1440367	HEX LOCKNUT 1/2-13 BRASS/NYLON	4	
18	1450036	NUT KEP #5-40 STAINLESS	2	
19	1450550	NUT KEP #10-32 STAINLESS	2	
20	2121230	SPRING COMPRESSION	1	
21	3210113	ELBOW 90 STR ORING/PIPE 3/8ID	2	
22	3210141	HYDRAULIC POWER UNIT - 12VDC	1	
23	3510022	GROMMET 7/16IN MOLDED	1	
24	3510381	ENLCOSURE - HYDRAULIC PUMP	1	
25	3820068	BUSHING - DOCK ACCESSORY LOCK	2	
26	5110627	HARNESS WIRE CONTROLLER/PUMP2010	1	
27	5310287	BATTERY CABLE 2GA. BLACK 34 IN	1	
28	5310288	BATTERY CABLE 2GA. RED 34 IN	1	
29	5310291	SWITCH MICRO	1	
30	HA0109	BATTERY BOX & BRKT HYD WINCH TUBE	1	

