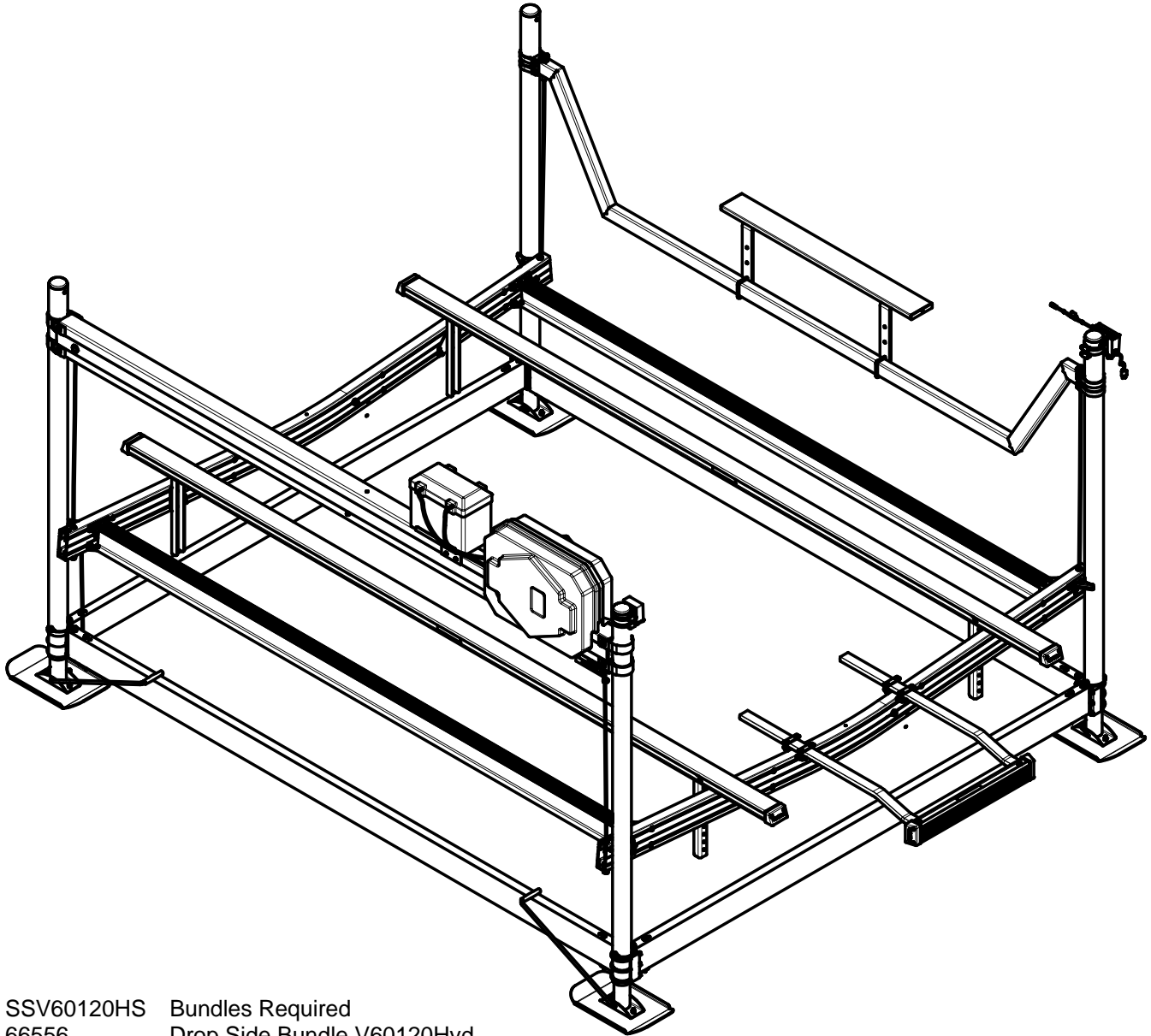
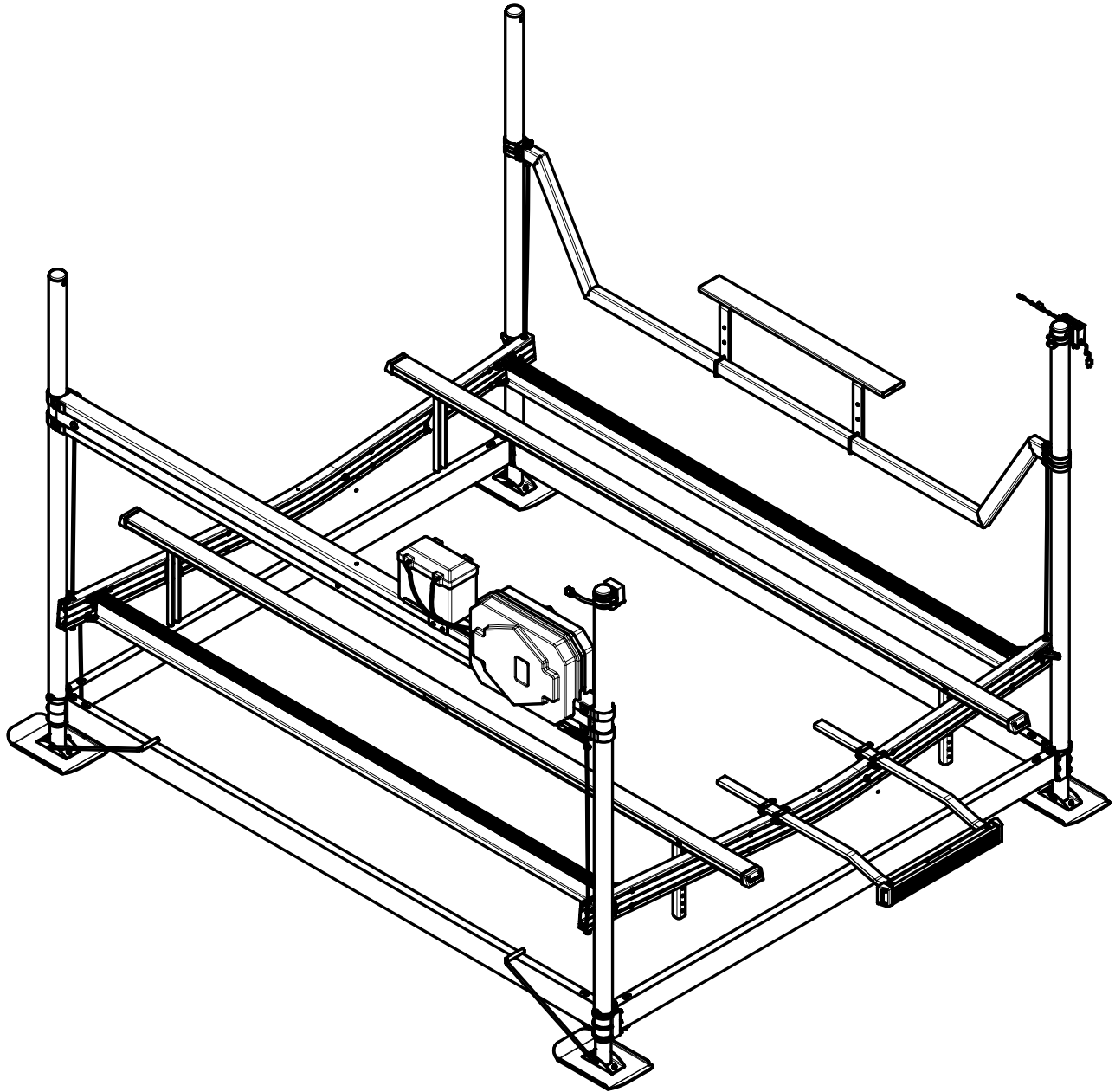


SSV60120HS & SSV60120HSDW 6000 lb 120 in Wide Alum Platform 12 Volts DC Hydraulic Lift



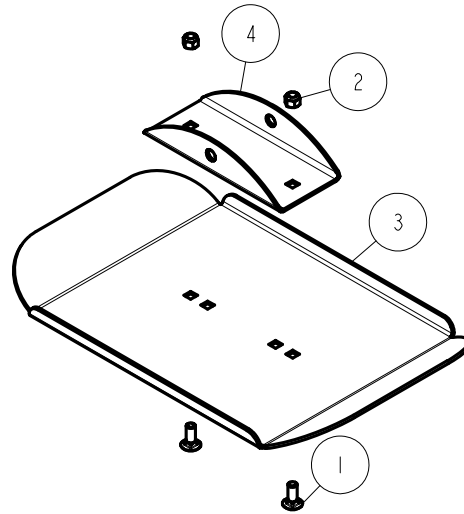
SSV60120HS	Bundles Required
66556	Drop Side Bundle V60120Hyd
66689	Lower Frame Bundle V60120Hyd
70227	Platform Bundle Alum V60120Hyd
70426	Leg Bundle V60120 Hyd SS
70091	Hyd Lift Tube Assy V60120Hyd
70099	Cover DC & Hardware
70428	HDWE Box V60120 Hyd SS
70700	Pump Assy 12V HDWE Box 2010
70626	Lit Packet SSV60120HS/HSDW
HA0089	Bunk Poly Hyd V6000 Hoist Alum
HA0087	Motor Stop Bundle 5.75 Alum
HA0090	Adjustable Step-Hoist Eon
HA0109	Battery Box & Brkt Hyd Winch Tube
HA0083	Battery Tender 12 Volt & Hdwe

NOTE; All HA bundles included with these hoist models contain there own assembly and adjustment instructions and also a parts breakdown if replacements are needed.

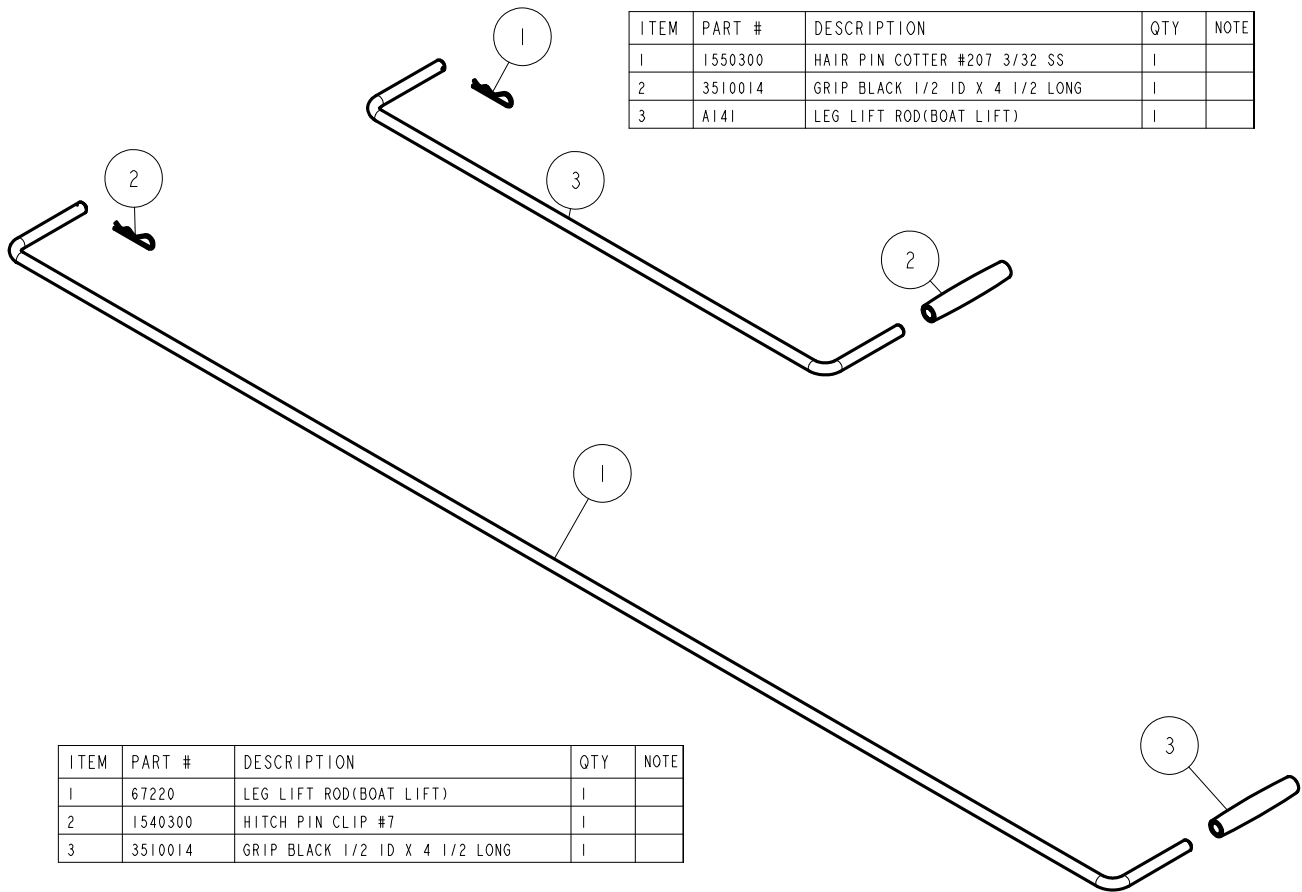


SSV60120HSDW	Bundles Required
66556	Drop Side Bundle V60120Hyd
66689	Lower Frame Bundle V60120Hyd
70227	Platform Bundle Alum V60120Hyd
70429	Leg Bundle V60120 Hyd SS DW
70091	Hyd Lift Tube Assy V60120Hyd
70099	Cover DC & Hardware
70428	HDWE Box V60120 Hyd SS
70700	Pump Assy 12V HDWE Box 2010
70626	Lit Packet SSV60120HS/HSDW
HA0089	Bunk Poly Hyd V6000 Hoist Alum
HA0087	Motor Stop Bundle 5.75 Alum
HA0090	Adjustable Step-Hoist Eon
HA0109	Battery Box & Brkt Hyd Winch Tube
HA0083	Battery Tender 12 Volt & Hdwe

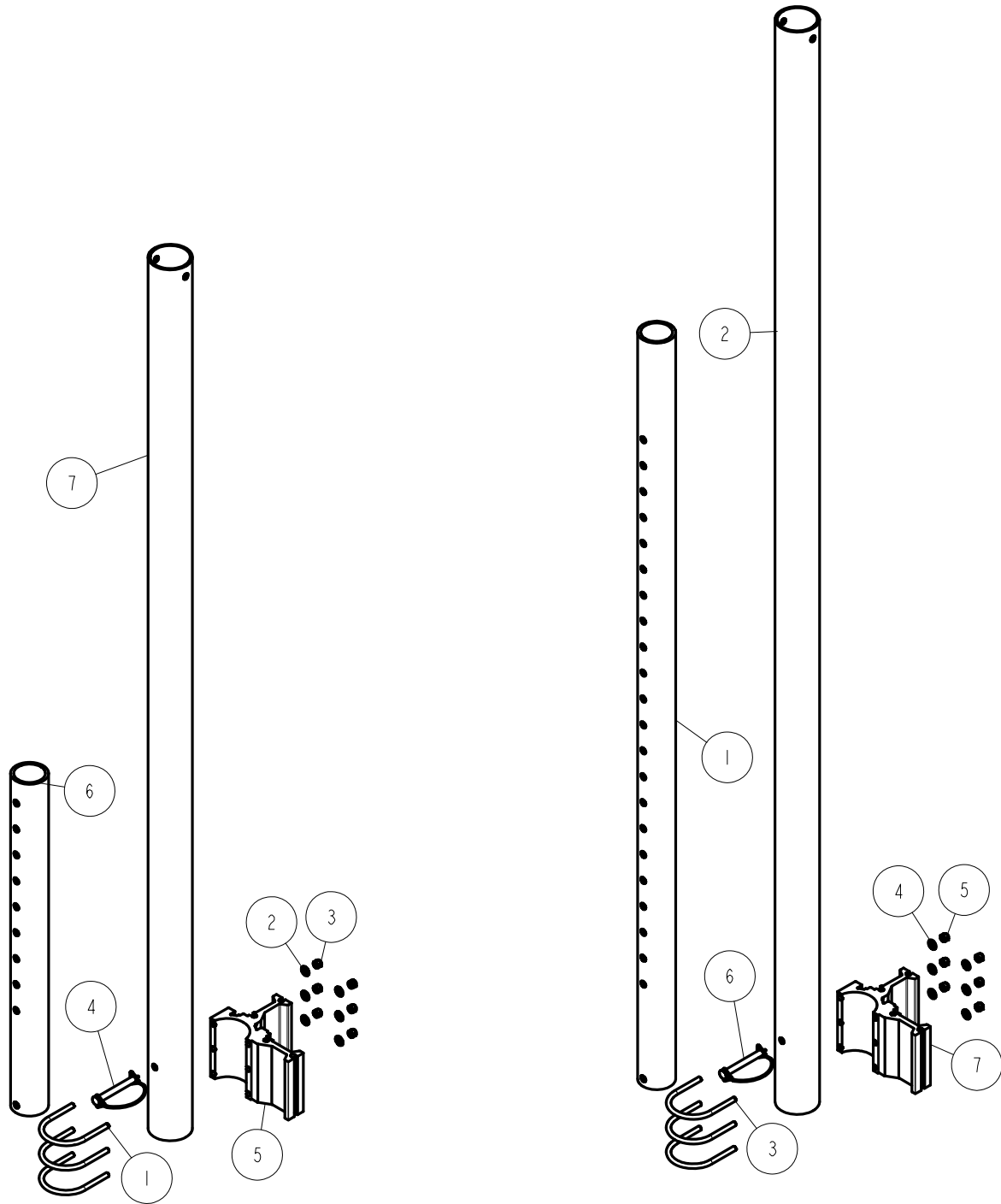
ITEM	PART #	DESCRIPTION	QTY	NOTE
1	0250130	CARR 3/8-16 X 1 GR5	2	
2	1440366	HEX LOCKNUT 3/8 BRASS/NYLON INSERT	2	
3	A103	ALUM BASE PAD	1	
4	A104	ALUM BASE PAD CHANNEL CLAMP	1	



ITEM	PART #	DESCRIPTION	QTY	NOTE
1	1550300	HAIR PIN COTTER #207 3/32 SS	1	
2	3510014	GRIP BLACK 1/2 ID X 4 1/2 LONG	1	
3	A141	LEG LIFT ROD(BOAT LIFT)	1	

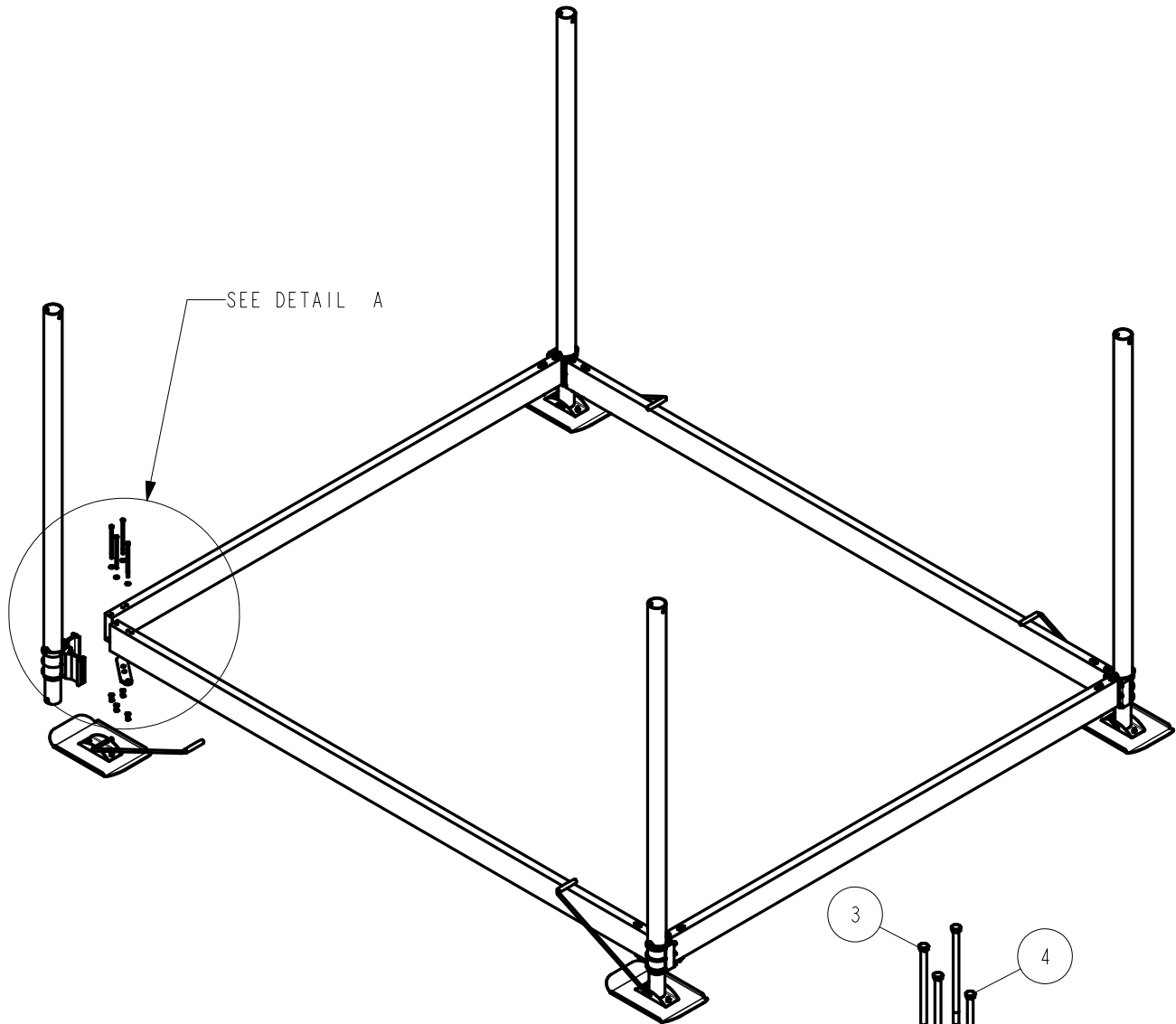


ITEM	PART #	DESCRIPTION	QTY	NOTE
1	67220	LEG LIFT ROD(BOAT LIFT)	1	
2	1540300	HITCH PIN CLIP #7	1	
3	3510014	GRIP BLACK 1/2 ID X 4 1/2 LONG	1	

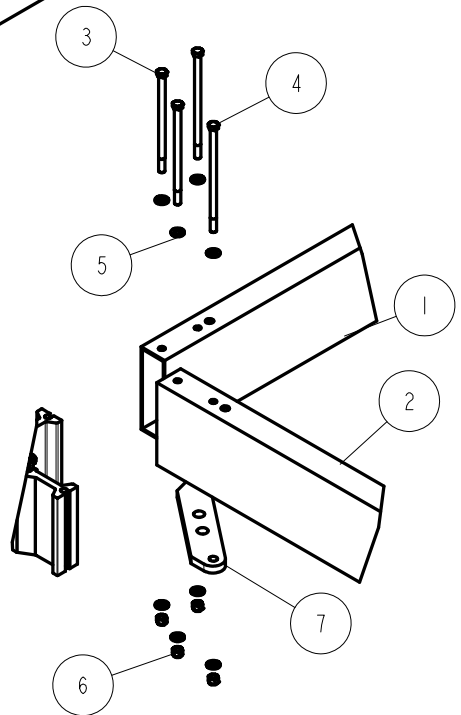


ITEM	PART #	DESCRIPTION	QTY	NOTE
1	0350097	RUB 3/8-16 X 3 7/8 X 4 5/8 SS	3	
2	1350095	WASHER USS FLAT 3/8 STAINLESS	6	
3	1450099	HEX LOCKNUT 3/8 SS W/NYLON INSER	6	
4	1540306	PIN STAINLESS STEEL W/RETAINER	1	
-	4811312	DECAL CLAMP ARROW ALUM HOIST	1	
-	4811450	DECAL WINCH TUBE GUIDE POST	1	
5	A302	LOWER CORNER BLOCK 6IN FRAME	1	
6	A315	ADJUSTABLE LEG 30D X 2 1/2IDX32	1	
7	A354	GUIDE POST 3 1/2"OD X 84"	1	

ITEM	PART #	DESCRIPTION	QTY	NOTE
1	67216	LEG TUBE FOR DEEP WATER	1	
2	67226	GUIDE POST DW 3 1/2 OD X 104 3/8	1	
3	0350097	RUB 3/8-16 X 3 7/8 X 4 5/8 SS	3	
4	1350095	WASHER USS FLAT 3/8 STAINLESS	6	
5	1450099	HEX LOCKNUT 3/8 SS W/NYLON INSER	6	
6	1540306	PIN STAINLESS STEEL W/RETAINER	1	
-	4811312	DECAL CLAMP ARROW ALUM HOIST	1	
-	4811450	DECAL WINCH TUBE GUIDE POST	1	
7	A302	LOWER CORNER BLOCK 6IN FRAME	1	

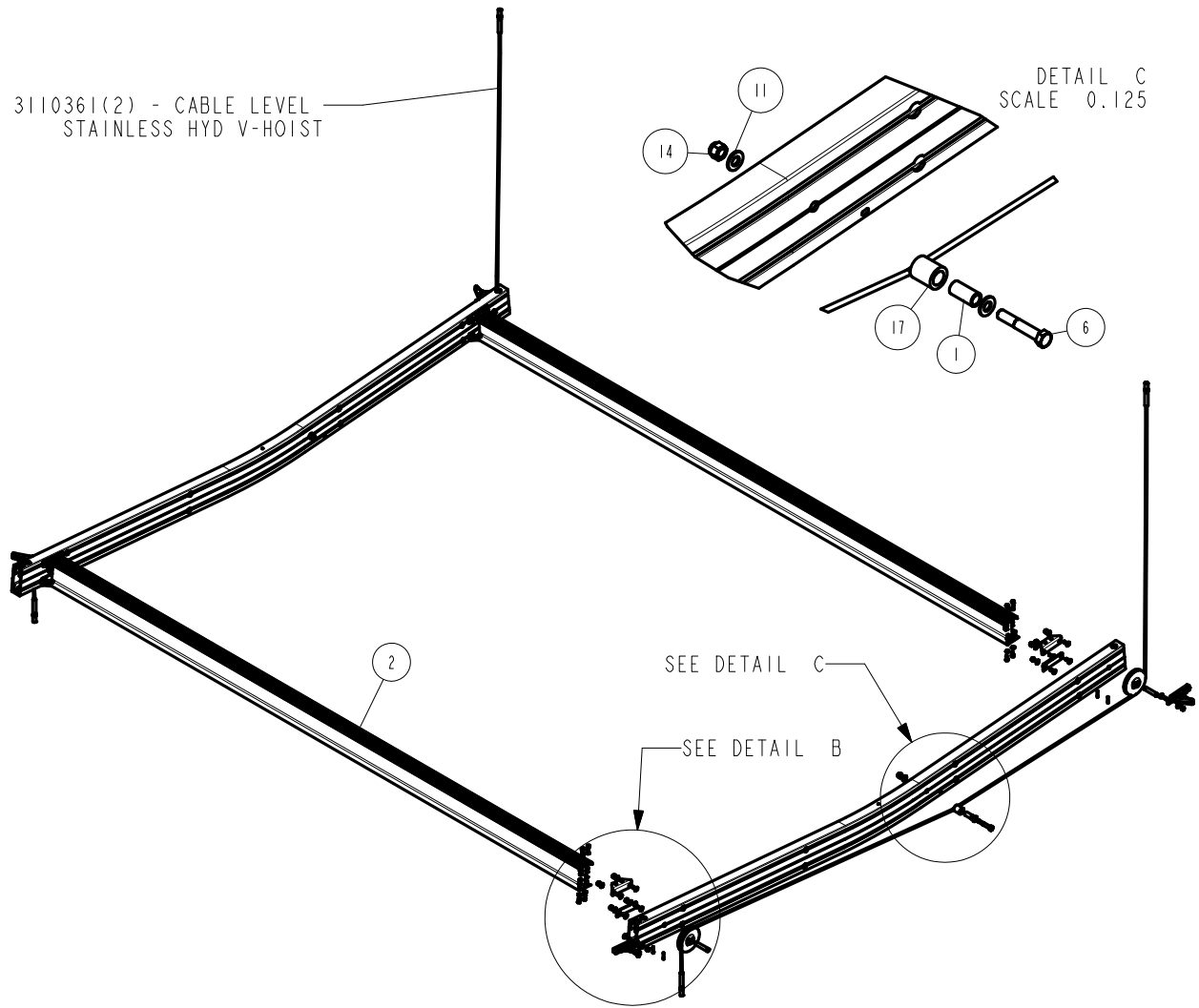


DETAIL A
SCALE 0.100



ITEM	PART #	DESCRIPTION	QTY	NOTE
1	62689	LOWER FRAME TUBE 6 X 2 X 119IN	2	
2	66688	SIDEFAME 131IN V50120 AND V60132	2	
3	0150070	HH 3/8-16 X 7 CS GR5-STAINLESS	12	
4	0150071	HH 3/8-16 X 7 1/2 CS GR5-STAINLESS	4	
5	1350095	WASHER USS FLAT 3/8 STAINLESS	32	
6	1440366	HEX LOCKNUT 3/8 BRASS/NYLON INSERT	16	
7	A126	BOTTOM CORNER CABLE BRKT	2	

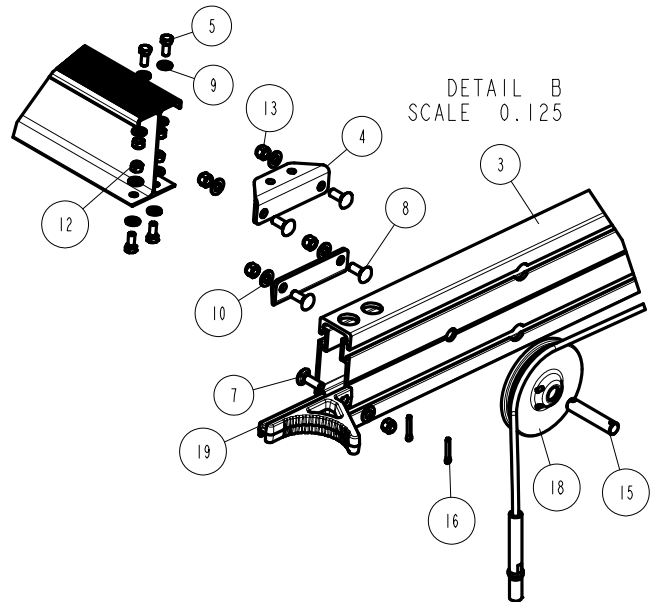
3110361(2) - CABLE LEVEL
STAINLESS HYD V-HOIST

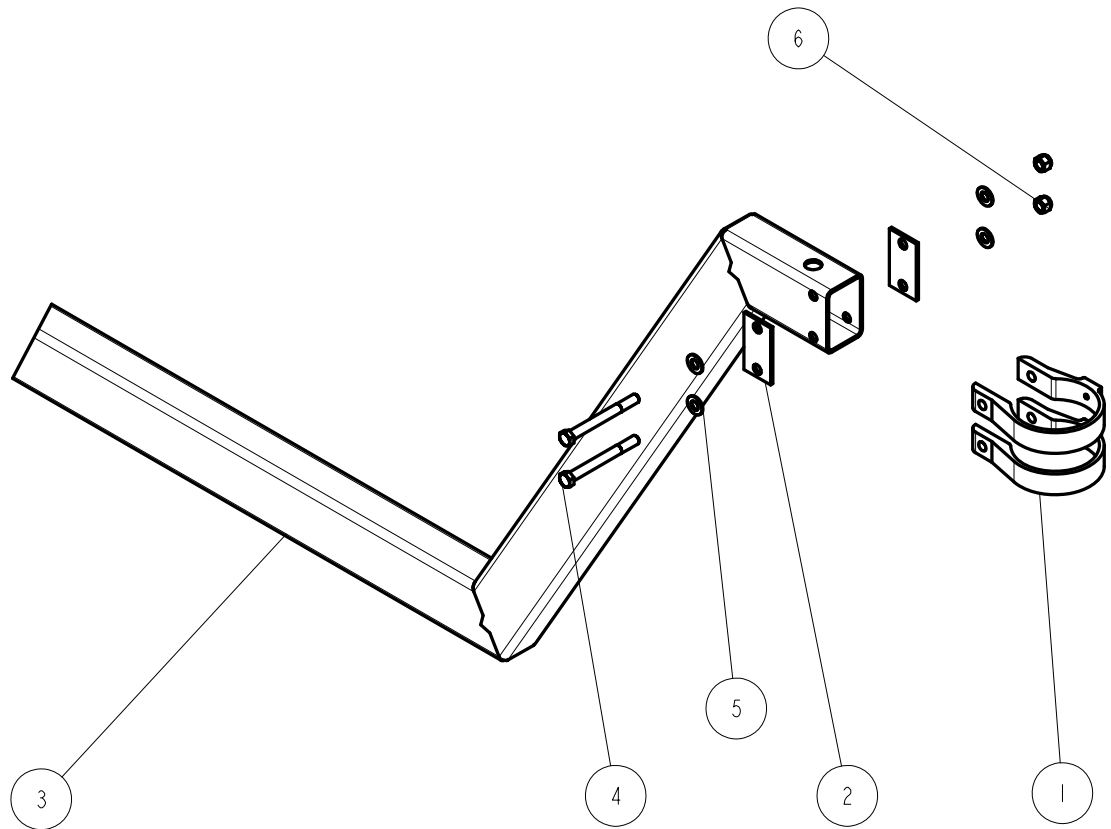


DETAIL C
SCALE 0.125

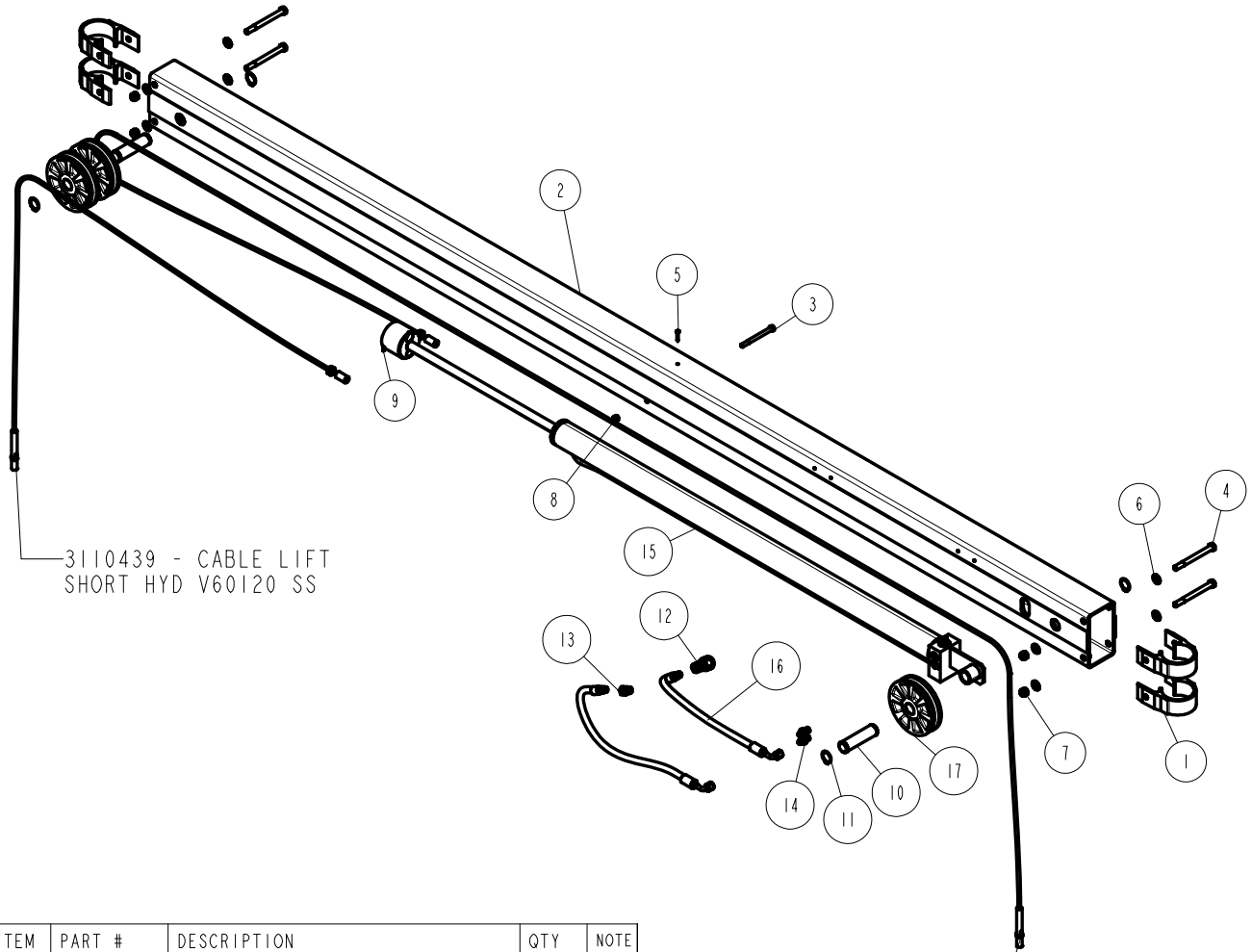
DETAIL B
SCALE 0.125

ITEM	PART #	DESCRIPTION	QTY	NOTE
1	60989	BUSHING STAINLESS STEEL(BOAT LIF	2	
2	66588	PLATFORM RAIL HYD V60120	2	
3	70216	CRADLE TUBE ALUM 120 (2.120 X 5.75)	2	
4	70218	ANGLE ALUM HOIST I BEAM	8	
5	0150022	HH 5/16-18 X 3/4 CS STAINLESS	16	
6	0150107	HH 1/2-13 X 3 CS GR5	2	
7	0250103	CARR 3/8-16 X 1 1/4 SS	4	
8	0250130	CARR 3/8-16 X 1 GR5	16	
9	1350085	WASHER USS FLAT 5/16 STAINLESS	32	
10	1350095	WASHER USS FLAT 3/8 STAINLESS	20	
11	1350100	WASHER USS FLAT 1/2 STAINLESS	4	
12	1440365	HEX LOCKNUT 5/16-18 BRASS /NYLON	16	
13	1440366	HEX LOCKNUT 3/8 BRASS/NYLON INSERT	20	
14	1450357	HEX LOCKNUT NYLON 1/2-13 STAINLESS	2	
15	1540411	STAINLESS STEEL PIN	4	
16	1550078	COTTER KEY 3/16 X 1	8	
17	3510099	BUSHING - NYLATRON V-HOIST	2	
18	3510194	PULLEY 5IN	4	
19	3510392	CORNER GUIDE MOLDED HOIST 2010	4	





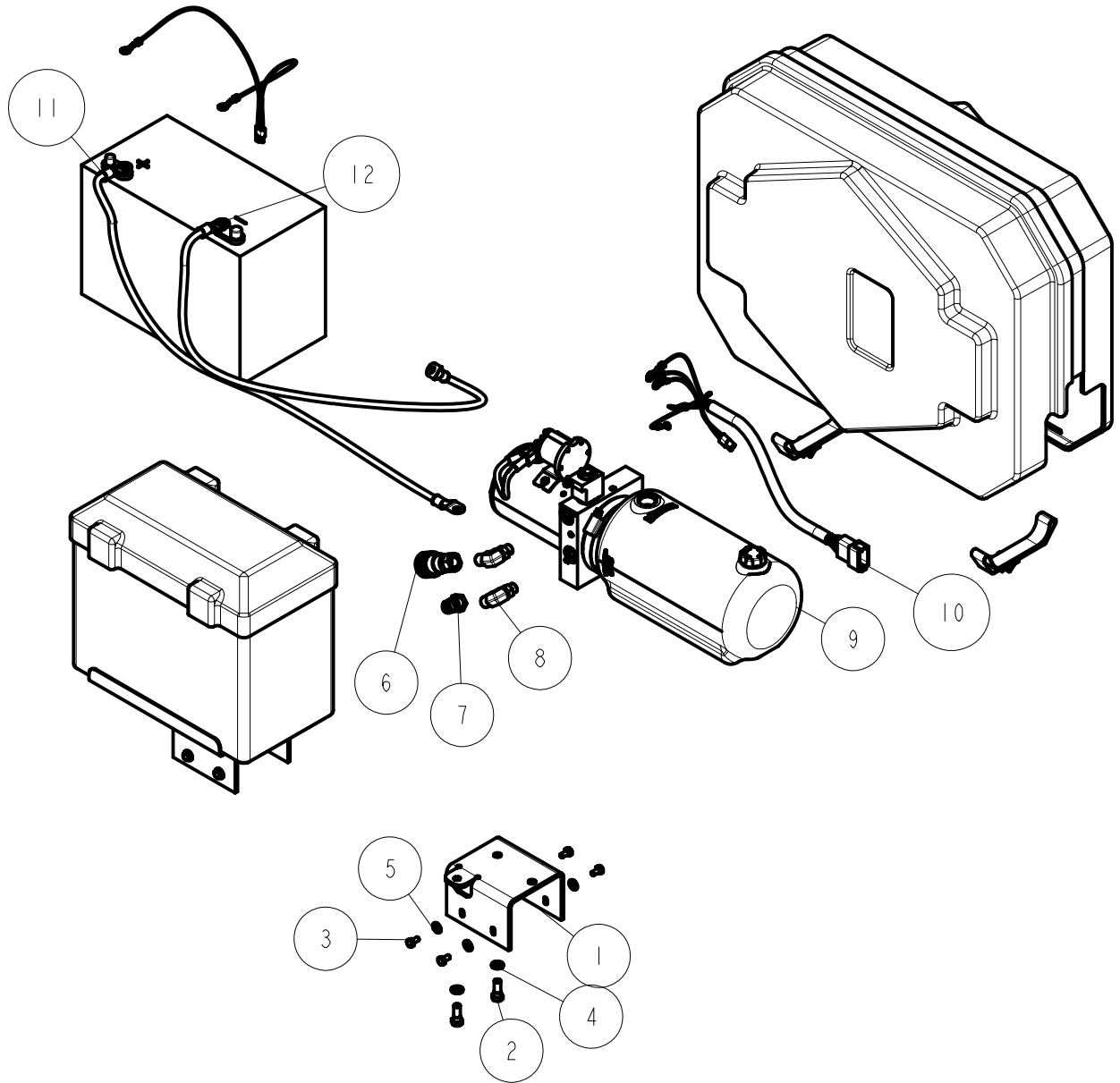
ITEM	PART #	DESCRIPTION	QTY	NOTE
1	65937	TOP CLAMP 1IN WITH 2 3/8 OPENING	4	
2	69539	SHIM PLATE 1/8 ALUM DROP SIDE	4	
3	69610	DROP SIDE WMENT 144IN 60 HOIST	1	
4	0150059	HH 3/8-16 X 3 3/4 CS STAINLESS	4	
5	1350095	WASHER USS FLAT 3/8 STAINLESS	8	
6	1440366	HEX LOCKNUT 3/8 BRASS/NYLON INSERT	4	



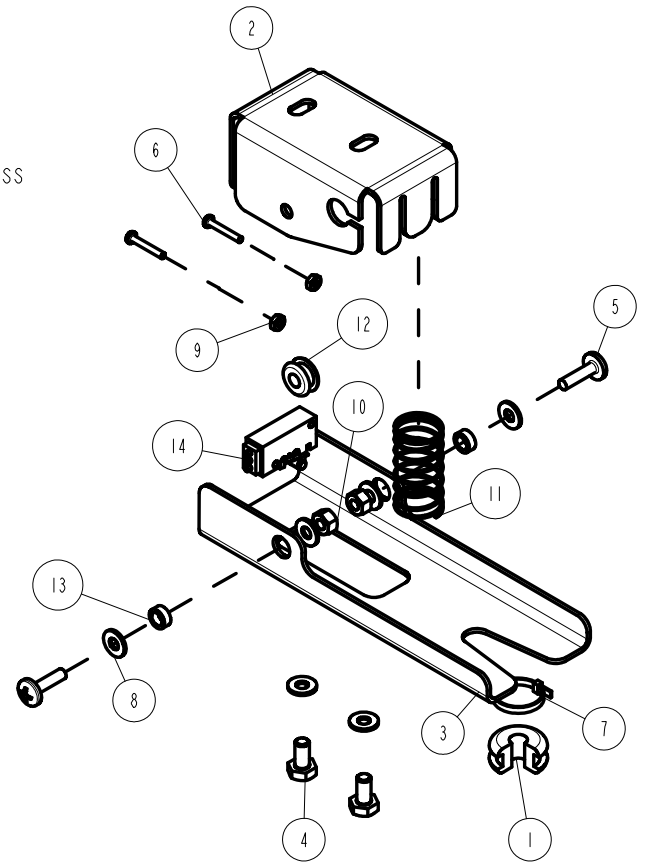
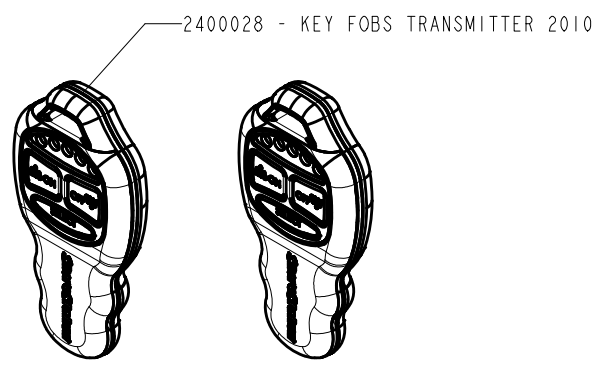
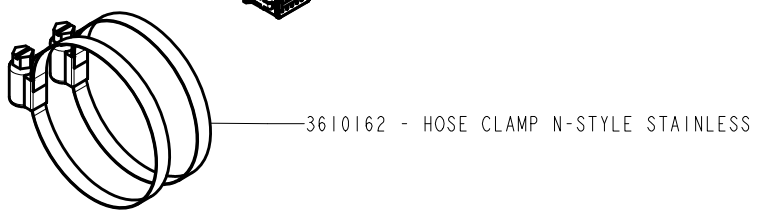
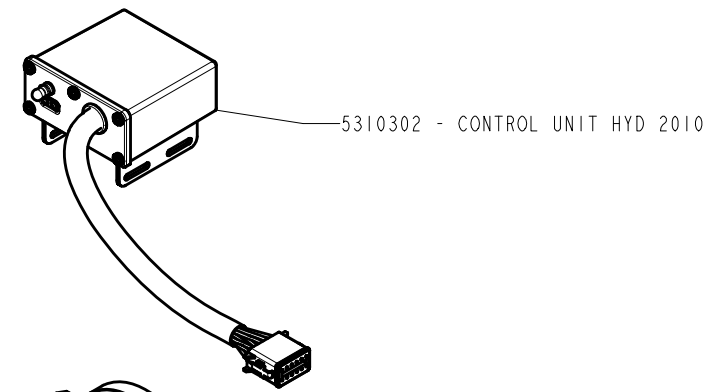
3110439 - CABLE LIFT
SHORT HYD V60120 SS

3110440 - CABLE LIFT
LONG HYD V60120 SS

ITEM	PART #	DESCRIPTION	QTY	NOTE
1	66890	TOP CLAMP WINCH TUBE HYD HOISTS	4	
2	70086	WINCH TUBE V40120 HYD	1	
3	0150062	HH 3/8-16 X 4 1/2 CS STAINLESS	1	
4	0150125	HH 1/2-13 X 5 1/2 CS STAINLESS	4	
5	0810936	SCREW #12-24 XI 1/4 HWH SELF DRILL	1	
6	1350100	WASHER USS FLAT 1/2 STAINLESS	8	
7	1440367	HEX LOCKNUT 1/2-13 BRASS/NYLON	4	
8	1450099	HEX LOCKNUT 3/8 SS W/NYLON INSER	1	
9	1540407	ROLL PIN - 1/8 X 1/2"	2	
10	1540455	PIN - PULLEY W/SNAP RING	2	
11	1750026	SNAP RING 1 1/4 EXTERNAL SS	4	
12	3210110	HYDRAULIC COUPLER 3/8 FEMALE	1	
13	3210111	HYDRAULIC COUPLER 3/8 MALE	1	
14	3210122	ADAPTER 6 JIC -6 ORING MALE - SHORT	2	
15	3210144	CYLINDER HYD 2-1/2 X 54 IN	1	
16	3210148	HOSE ASSEMBLY - SIZE 06 HYD	2	
17	3510232	SHEEVE PULLEY 6 1/2IN NYLON	3	
18	4850356	DECAL CAUTION MAX LOAD	1	



ITEM	PART #	DESCRIPTION	QTY	NOTE
1	68863	MOTOR MOUNT BRKT	1	
2	0150038	HH 3/8-16 X 3/4 CS STAINLESS	2	
3	0150316	HH 1/4-20 X 1/2 CS FULL THREADED STAINLESS	4	
4	1350030	LOCKWASHER 3/8 S/T MED STAINLESS	2	
5	1350070	WASHER USS FLAT 1/4 STAINLESS	4	
6	3210110	HYDRAULIC COUPLER 3/8 FEMALE	1	
7	3210111	HYDRAULIC COUPLER 3/8 MALE	1	
8	3210113	ELBOW 90 STR ORING/PIPE 3/8ID	2	
9	3210141	HYDRAULIC POWER UNIT - 12VDC	1	
10	5110627	HARNESS WIRE CONTROLLER/PUMP2010	1	
11	5310287	BATTERY CABLE 2GA. BLACK 34 IN	1	
12	5310288	BATTERY CABLE 2GA. RED 34 IN	1	



ITEM	PART #	DESCRIPTION	QTY	NOTE
1	69493	GROMMET LIMIT STOP HOIST	1	
2	70197	MICROSWITCH BASE	1	
3	70198	MICROSWITCH LEVER	1	
4	0150316	HH 1/4-20 X 1/2 CS FULL THREADED STAINLESS	2	
5	0850975	SCREW #10-32 X 3/4 PHIL PAN M/S STAINLESS	2	
6	0850978	SCREW 5-40 X 3/4 MS STAINLESS	2	
7	1110044	WIRE TIE 5 1/2IN X .14IN BLACK	1	
8	1350170	WASHER SAE FLAT #10 TYPE-A STAINLESS	6	
9	1450036	NUT KEP #5-40 STAINLESS	2	
10	1450550	NUT KEP #10-32 STAINLESS	2	
11	2121230	SPRING COMPRESSION	1	
12	3510022	GROMMET 7/16IN MOLDED	1	
13	3820068	BUSHING - DOCK ACCESSORY LOCK	2	
14	5310291	SWITCH MICRO	1	

