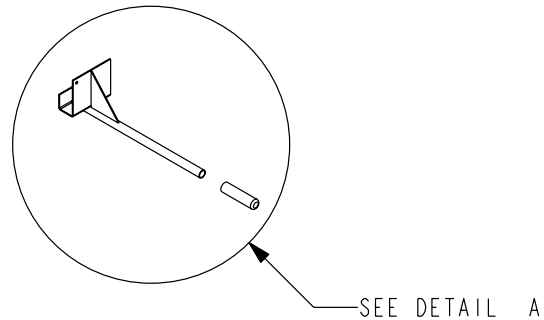
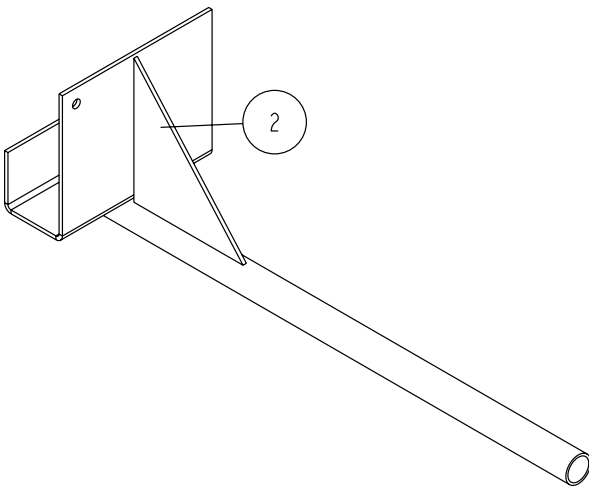
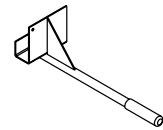
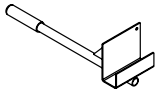
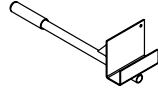
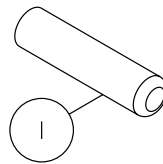


SS#233A Carrying Handles



DETAIL A
SCALE 0.200



ITEM	PART #	DESCRIPTION	QTY	NOTE
1	3510016	GRIP BLACK PLASTIC 1 X 5	4	
2	a156	CARRYING HANDLE	4	

Instructions:

Before using the carrying handles, remove the boat from the hoist, lower the platform all the way to the bottom. If moving the hoist a long distance, in or out of the water the canopy should also be removed. Note that the hoist will be heaviest on the corner of the hoist where the winch is.

Place the formed plate under the side frame tube and bring up until the side frame is seated completely into the channel, at this point you are now ready to lift the hoist. Move cautiously as the hoist will be top heavy toward the winch corner and could tip causing serious damage to the hoist and injury to the people carrying the hoist. Once you reach the location, make any necessary adjustments to the legs to maintain proper water depth. Lower it carefully into place. For winter storage, adjust all the way down. At this point remove handles and store properly.